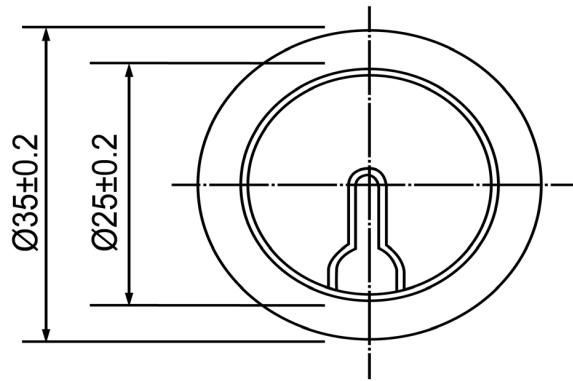
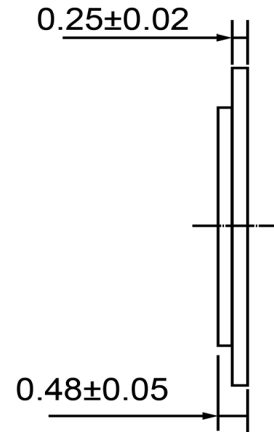


TOP VIEW



SIDE VIEW



Specifications			Notes	Revision History									
Description	Value	Unit		Version	Description	Date	Approved	Drawn by	Date	Checked by	Date	Approved by	Date
Resonant Frequency	2,600	(Hz)	1) All dimensions are in mm unless otherwise noted 2) All parts meet RoHS	1	Released from Engineering	10/21/2013	J.S	A.B.	10/21/2013	C.E.	10/21/2013	J.S	10/21/2013
Resonant Impedance (Max)	200	(Ohm)											
Max Input Voltage	30	(V)											
Capacitance	36,000	(pF)											
Plate Material	Brass												
Operating Temperature	-20 ~ +60	°C											
Storage Temperature	-30 ~ +70	°C											



Piezo Bender

P35026-1

Additional considerations can be found at www.dbunlimitedco.com/technical-articles.