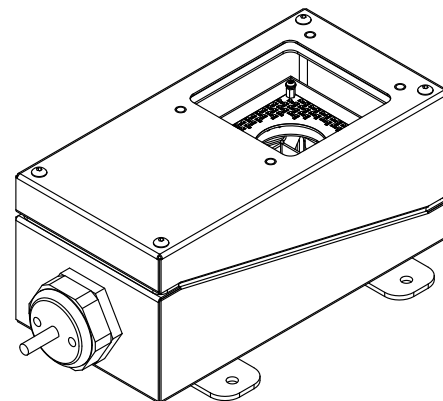
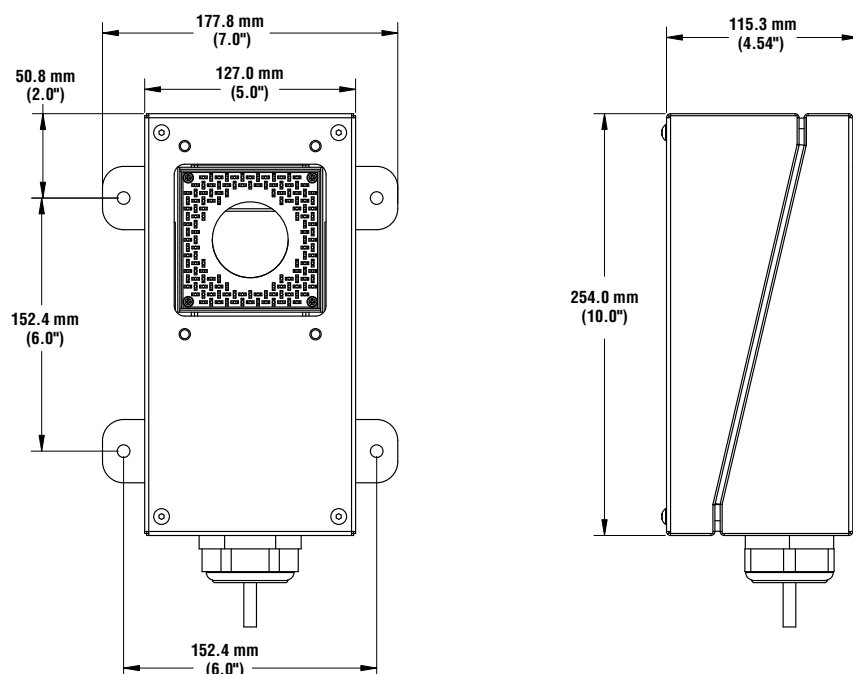


Features

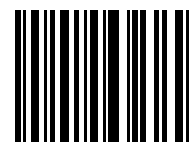
- Protects sensor and light during washdown
- Keeps dust and dirt off lens and light
- Prevents vandalism, mischief, and tampering

Dimensions



Specifications

Environmental Rating	NEMA 6 (IEC IP67)
Chemical Resistance	<p>Enclosure: type 304 stainless steel; 18-8 stainless steel fasteners</p> <p>Gaskets: Open-cell urethane foam</p> <p>Window: polycarbonate (P model number suffix); glass (G suffix)</p> <p>Cord grip: polyamide body, fluoroelastomer sealing ring</p> <p>White inserts: PVC</p>
Temperature Tolerance	<p>Urethane foam gasket: -40° to +90° C (-40° to +194° F)</p> <p>Polycarbonate window: -101° to +93° C (-150° to +200° F)</p> <p>Polyamide cord grip body: -20° to +100° C (-4° to +212° F)</p> <p>Fluoroelastomer sealing ring: -35° to +204° C (-31° to +400° F)</p> <p>PVC insert for cord grip: -40° to +80° C (-40° to +176° F)</p>



121996

Model P4RE67-G / P4RE67-P Enclosure Kits

Installation

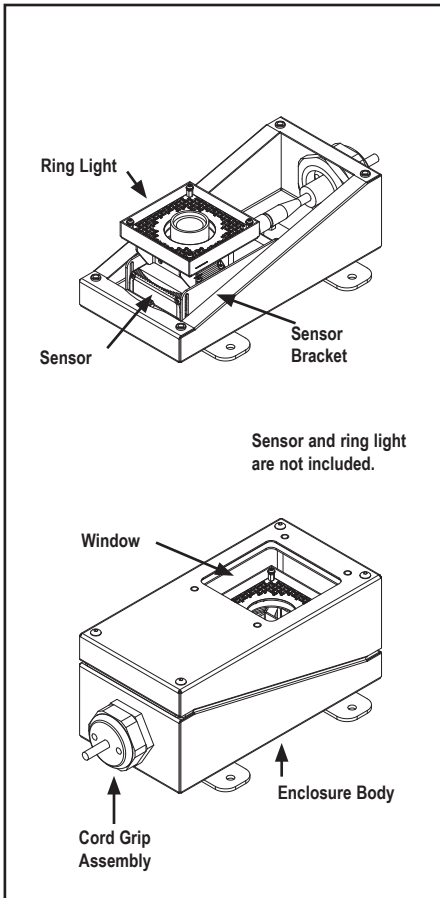


Figure 1. Assembling the Enclosure

Tools Required:

- 8 mm deep-well socket on 100 mm extension and ratchet (or 8 mm open-end or box-end wrench)
- Standard flat-blade screwdriver
- 2.5 mm hex wrench (provided in sensor and ring light hardware kits)



WARRANTY: Banner Engineering Corp. warrants its products to be free from defects for one year. Banner Engineering Corp. will repair or replace, free of charge, any product of its manufacture found to be defective at the time it is returned to the factory during the warranty period. This warranty does not cover damage or liability for the improper application of Banner products. This warranty is in lieu of any other warranty either expressed or implied.

Disassemble the Enclosure

1. Remove the four M5 slotted screws holding the housing halves together, and remove the upper housing.
2. Remove the three nuts holding the bracket to the lower housing; remove the bracket.

Mount the Lower Housing

1. Drill four holes into the mounting surface. Use the base as a template, or see the dimension drawing on page 1. (Mounting holes may be drilled or tapped.)
2. Mount the lower housing using four screws of sufficient size and length.

Mount the PresencePLUS® P4 Sensor

1. If not already done, mount the lens on the P4 sensor.
2. Mount the ring light (if used) on the sensor using two M3x6 socket-head screws, lock washers and flat washers supplied with the ring light. Tighten both screws.
3. Mount the sensor on the bracket using the four M3x6 socket-head screws, lock washers, and flat washers supplied with the sensor. Mount the sensor so the light housing or lens (whichever protrudes more) is approximately 50 mm (2") above the top edge of the mounting bracket.
4. Make sure that the sensor is perpendicular to the mounting surface and then tighten the four screws securing the sensor to the mounting bracket.
5. Mount the sensor with bracket into the lower housing by aligning the three M5 studs with holes in the bracket. Secure the bracket with three M5 lock nuts included with the enclosure assembly.

Run Cable through the Cord Grip

1. Remove the crown nut and the two white insert halves from the cord grip assembly.

NOTE: The cord grip is shipped with the two small holes plugged for applications that do not require the hookup of the Ethernet cable or NTSC video cable. If either of those cables will not be used, keep the plug(s) so it can be reinstalled.

2. Run the sensor cable's round connector-end through the crown nut and through the cord grip body in the enclosure; snap it into the connector on the sensor bottom.
3. If used, run the Ethernet and NTSC cables into the enclosure as in step 2 and connect each to its appropriate connector.
4. If using a ring light, connect the ring light cable to the connector on the sensor bottom.

NOTE: As drilled, the cord grip reduces the enclosure's environmental rating to IP65. To achieve IP67 (NEMA 6) specifications, apply RTV silicone sealant in the half-round cable grooves of each white insert half before doing step 5.

5. Place one white insert half into the cord grip body, so the split is horizontal and the smallest hole is on the left. Place all cables (or plugs) into their respective half-round grooves, and slide the other white insert half into the cord grip body.
6. Making sure the cables are in place, thread the crown nut onto the cord grip body. Tighten it securely by hand.

Power Up Sensor and Adjust the Camera Lens

1. Power up and verify that the sensor's Power/Error light turns Green. Adjust lens focus and aperture, then lock in place.

NOTES: If ring light is assembled for initial startup, you may need to remove ring light to lock focus and aperture. A slight loss of illumination may occur when the enclosure is placed over the camera.

Assemble the Enclosure

1. Using standard glass cleaner and a soft, non-abrasive cloth, clean the window on both sides to prevent smudges that could cause imaging problems.
2. Align the enclosure gasket with the holes and edges on the lower housing; place the upper housing over the sensor and onto the lower housing. Make sure the gasket holes are aligned with the four enclosure holes and that the enclosure is pushed down fully.
3. Insert and evenly tighten the four M5 slotted screws securing the enclosure halves.