



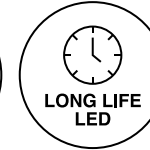
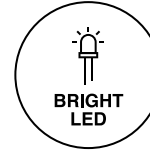
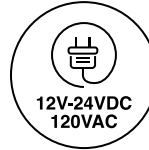
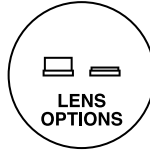
P8 Series

Ø .500" (12.7mm)

LED Panel Mount Indicator



P8 Series offered in multiple colors and lens style, designed to enhance the LED contrast, available in tab terminals or wire leads.



Key Features

- Mounting hole size: .500" (12.7mm)
- Panel Thickness: 0.020" (0.51mm) to 0.100" (2.54 mm)
- Lens type options: hi-hat and flush all offered in four different lens colors with fresnel pattern lens that provides an excellent light focus and assures maximum light output
- Lens color options: red, amber, blue, and green
- Voltage options: 12-24VDC and 120VAC
- Terminals: tab terminals or wire leads (6" wire leads, 24 AWG)
- Wire leads: 6.0" total length (nominal) / .50" stripped (nominal), red anode/black cathode, 18 AWG stranded UL1015 insulation
- LED single color options: red, amber, blue, and green
- "D" mounting hole prevents any rotation of the indicator when installed and connected during the assembly process
- Black housing offering which enhances the LED contrast
- Designed to enhance the LED contrast and features a front panel snap-in mounting that eases installation, and requires no additional hardware
- Available with a variety of LEDs and provides low energy consumption, fast on/off cycling, low heat generation, and long operating life
- Designed for quick installation in display panels and reduces overall cost due to less-frequent replacements
- Designed, manufactured and tested in accordance with the relevant UL standards
- For custom cable length, connectors or colors contact VCC
- Compliant with RoHS and REACH



Ordering Data

P81 (Hi-Hat Lens)



Example:

P81-R24HD-CR

P8 Series Hi-Hat Lens, Red LED,
Red Lens, 24V with Tab Terminals

P81W (Hi-Hat Lens)



Example:

P81W-A12H-CA

P8 Series Hi-Hat Lens, Amber LED,
Amber Lens, 12V with Wire Leads

| Part Number | Color | λ_{pk} (nm) | Iv (mcd) | Viewing Angle | Lens Color | Terminals | Voltage/Current | |
|-------------|-------|---------------------|----------|---------------|------------|-----------|-----------------|-----------|
| | | | | | | | Design Vf/If | Max Vf/If |

| | | | | | | | | |
|--------------|-----|-----|-----|----|-----|---------------|----------|----------|
| P81-R24HD-CR | Red | 634 | 780 | 75 | Red | Tab Terminals | 24V/17mA | 26V/20mA |
|--------------|-----|-----|-----|----|-----|---------------|----------|----------|

| Part Number | Color | λ_{pk} (nm) | Iv (mcd) | Viewing Angle | Lens Color | Terminals | Voltage/Current | |
|-------------|-------|---------------------|----------|---------------|------------|-----------|-----------------|-----------|
| | | | | | | | Design Vf/If | Max Vf/If |

| | | | | | | | | |
|--------------|-------|-----|-----|----|-------|------------|----------|----------|
| P81W-A12H-CA | Amber | 592 | 600 | 75 | Amber | Wire Leads | 12V/20mA | 14V/25mA |
| P81W-B12H-CB | Blue | 465 | 168 | 75 | Blue | Wire Leads | 12V/15mA | 14V/20mA |
| P81W-G12H-CG | Green | 520 | 780 | 75 | Green | Wire Leads | 12V/15mA | 14V/20mA |
| P81W-R12H-CR | Red | 634 | 780 | 75 | Red | Wire Leads | 12V/20mA | 14V/25mA |

P84 (Flush Lens)



Example:

P84-A120-CA

P8 Series Flush Lens, Amber LED,
Amber Lens, 120V with Tab Terminals

P84W (Flush Lens)



Example:

P84W-G12H-CG-R-

P8 Series Flush Lens, Green LED,
Green Lens, 12V with Wire Leads

| Part Number | Color | λ_{pk} (nm) | Iv (mcd) | Viewing Angle | Lens Color | Terminals | Voltage/Current | |
|-------------|-------|---------------------|----------|---------------|------------|-----------|-----------------|-----------|
| | | | | | | | Design Vf/If | Max Vf/If |

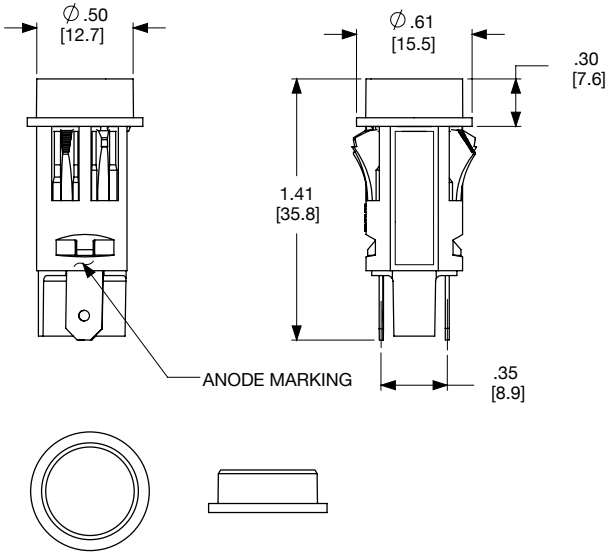
| | | | | | | | | |
|-------------|-------|-----|-----|----|-------|---------------|--------------|------------|
| P84-A120-CA | Amber | 592 | 600 | 75 | Amber | Tab Terminals | 120VAC/3.5mA | 130VAC/4mA |
| P84-B120-CB | Blue | 465 | 168 | 75 | Blue | Tab Terminals | 120VAC/3.5mA | 130VAC/4mA |
| P84-G120-CG | Green | 520 | 780 | 75 | Green | Tab Terminals | 120VAC/3.5mA | 130VAC/4mA |

| Part Number | Color | λ_{pk} (nm) | Iv (mcd) | Viewing Angle | Lens Color | Terminals | Voltage/Current | |
|-------------|-------|---------------------|----------|---------------|------------|-----------|-----------------|-----------|
| | | | | | | | Design Vf/If | Max Vf/If |

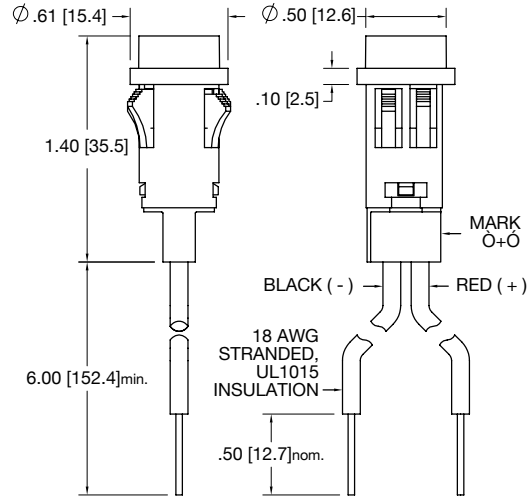
| | | | | | | | | |
|-----------------|-------|-----|-----|----|-------|------------|--------------|------------|
| P84W-A12H-CA-R- | Amber | 592 | 600 | 75 | Amber | Wire Leads | 12V/20mA | 14V/25mA |
| P84W-G12H-CG-R- | Green | 520 | 780 | 75 | Green | Wire Leads | 12V/15mA | 14V/20mA |
| P84W-R12H-CR-R- | Red | 634 | 780 | 75 | Red | Wire Leads | 12V/20mA | 14V/25mA |
| P84W-R120-CR | Red | 634 | 780 | 75 | Red | Wire Leads | 120VAC/3.5mA | 130VAC/4mA |

Product Dimensions

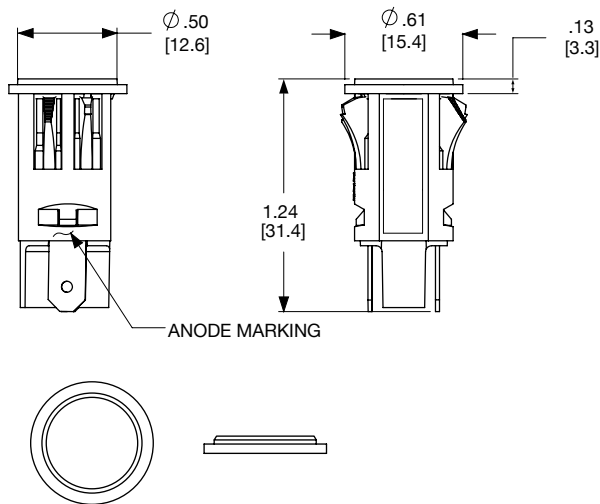
P81 (Hi-Hat Lens)



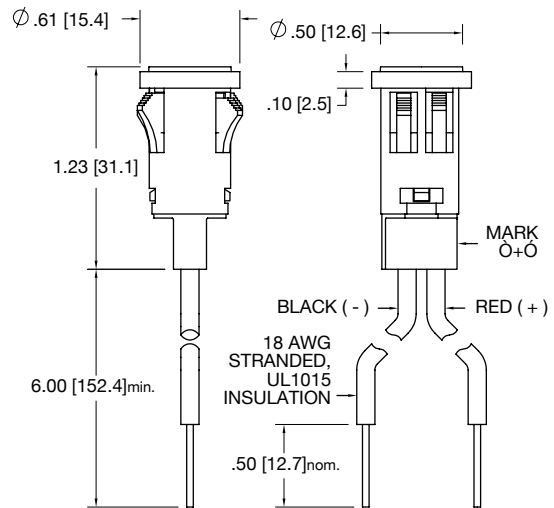
P81W (Hi-Hat Lens)



P84 (Flush Lens)



P84W (Flush Lens)



Recommended Mounting Hole



Notes:

1. All dimensions are in inches [millimeters]
2. Tolerance is $\pm 0.25''$ unless otherwise noted.
3. The specifications, characteristics and technical data described in the datasheet are subject to change without prior notice.