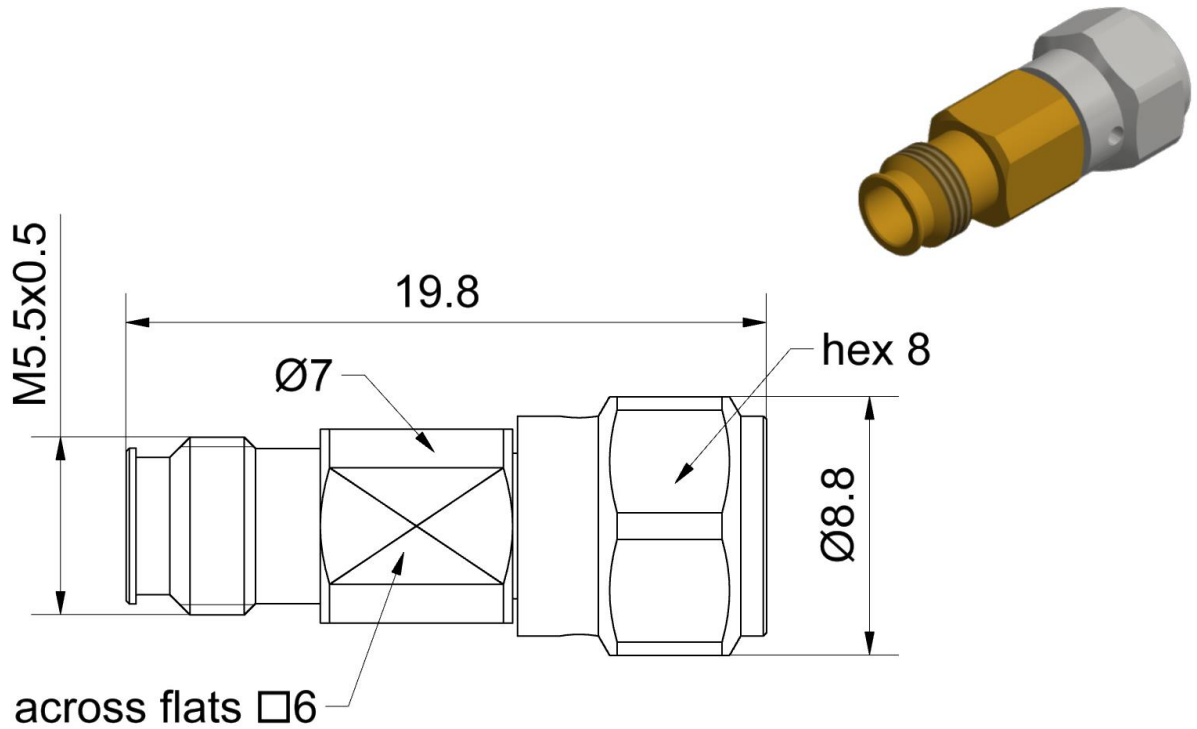


RPC-1.35 Adaptor
Plug - Jack

P9S121-K00D3



All dimensions are in mm; tolerances according to ISO 2768 m-H

Interface

According to IEC 61169-65

Documents

N/A

Material and plating

Connector parts
Center conductor
Outer conductor
Coupling nut
Dielectric

Material
CuBe
CuBe or equiv.
Stainless steel
PEEK

Plating
Gold, min. 1.27µm
Gold, min. 1.27µm
Passivated

Dieses Dokument ist urheberrechtlich geschützt • This document is protected by copyright • Rosenberger Hochfrequenztechnik GmbH & Co. KG

RFB00035/12.20/6.4

RPC-1.35 Adaptor
Plug - Jack

P9S121-K00D3

Electrical data

Frequency range DC to 90 GHz

Return loss ≥ 28 dB, DC to 10 GHz
 ≥ 19 dB, 10 GHz to 50 GHz
 ≥ 15 dB, 50 GHz to 90 GHz

Mechanical data

Mating cycles ≥ 3000

Maximum torque 1.65 Nm

Recommended torque 0.90 Nm

Gauge 0.003 mm to 0.050 mm

Environmental data

Temperature range - 40 °C to +85 °C

RoHS compliant

Packing

Standard 1 pce in box

Weight 4.5 g/pce

While the information has been carefully compiled to the best of our knowledge, nothing is intended as representation or warranty on our part and no statement herein shall be construed as recommendation to infringe existing patents. In the effort to improve our products, we reserve the right to make changes judged to be necessary.

For the installation of the electrotechnical equipment, particular electrotechnical expertise is required.



Draft	Date	Approved	Date	Rev.	Engineering change number	Name	Date
Marcel Panicke	16.11.18	Lars Ramtke	20.05.22	d00	22-0943	David d'Argent	24.05.22

Rosenberger Hochfrequenztechnik GmbH & Co. KG
 P.O.Box 1260 D-84526 Tittmoning Germany
www.rosenberger.de

Tel. : +49 8684 18-0
 Email : info@rosenberger.de

Page
 2 / 2