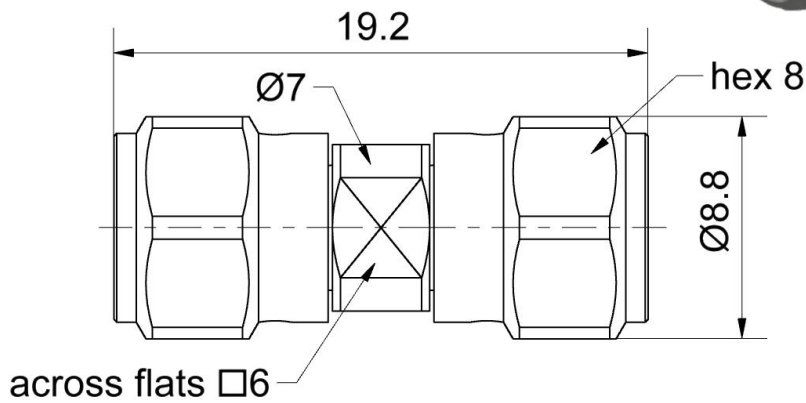


RPC-1.35 Adaptor
Plug - Plug

P9S121-S00D3



All dimensions are in mm; tolerances according to ISO 2768 m-H

Interface

According to IEC 61169-65

Documents

N/A

Material and plating

Connector parts

- Center conductor
- Outer conductor
- Coupling nut
- Dielectric

Material

- CuBe
- CuBe or equiv.
- Stainless steel
- PEEK

Plating

- Gold, min. 1.27µm
- Gold, min. 1.27µm
- Passivated

Technical Data Sheet

Rosenberger

RPC-1.35

Adaptor
Plug - Plug

P9S121-S00D3

Electrical data

Frequency range	DC to 90 GHz
Return loss	≥ 28 dB, DC to 10 GHz ≥ 19 dB, 10 GHz to 50 GHz ≥ 15 dB, 50 GHz to 90 GHz

Mechanical data

Mating cycles	≥ 3000
Maximum torque	1.65 Nm
Recommended torque	0.90 Nm
Gauge	0.003 mm to 0.050 mm

Environmental data

Temperature range	- 40 °C to +85 °C
RoHS	compliant

Packing

Standard	1 pce in box
Weight	5.0 g/pce

While the information has been carefully compiled to the best of our knowledge, nothing is intended as representation or warranty on our part and no statement herein shall be construed as recommendation to infringe existing patents. In the effort to improve our products, we reserve the right to make changes judged to be necessary.

For the installation of the electrotechnical equipment, particular electrotechnical expertise is required.



Draft	Date	Approved	Date	Rev.	Engineering change number	Name	Date
Marcel Panicke	16.11.18	Lars Ramtke	20.05.22	d00	22-0943	David d'Argent	24.05.22