

## Xilinx Power Test Adaptor (PTA) - to test power delivery network to Zynq UltraScale+ ZU19-C1760 series FPGA's

ProGrAnalog Corp.

08/18/2023

Ver 3.2

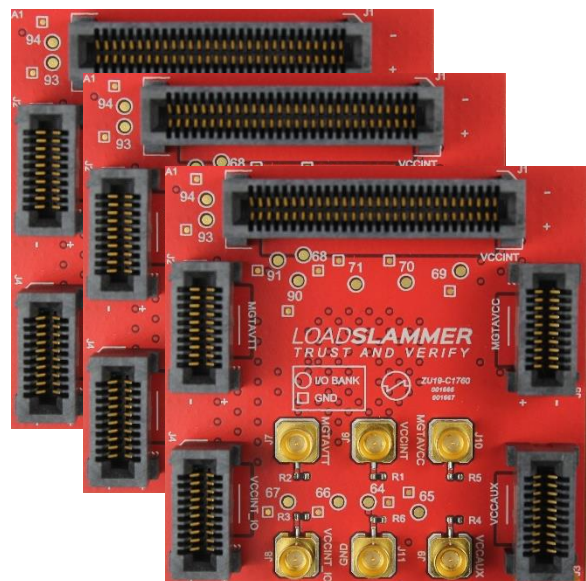
### Features

- Set of 3 Xilinx Power Test Adaptors (PTA) for PDN testing AMD Xilinx Zynq UltraScale+ ZU19-C1760 series FPGAs
- 5 Samtec connectors to slam: VCCINT, MGTAVCC, VCCAUX, VCCINT\_IO, MGTAVTT.
- 6 SMP connectors for testing: MGTAVTT, VCCINT, MGTAVCC, VCCAUX, VCCINT\_IO, GND.
- PTA with BGA footprint reflows onto ZU19-C1760 PCB pads.
- Remote Vsense on Samtec connectors and SMP mini connectors.
- Most rails can be tested with an LSP200 controller.
- GUI supports transient, pulse train, impedance and 3D plots.

### Typical Test Setup

- Xilinx PTA reflowed onto the test board.
- LSP1000RS connected into VCCINT connector.

Pack of 3 Zynq ZU19-C1760 series PTA's



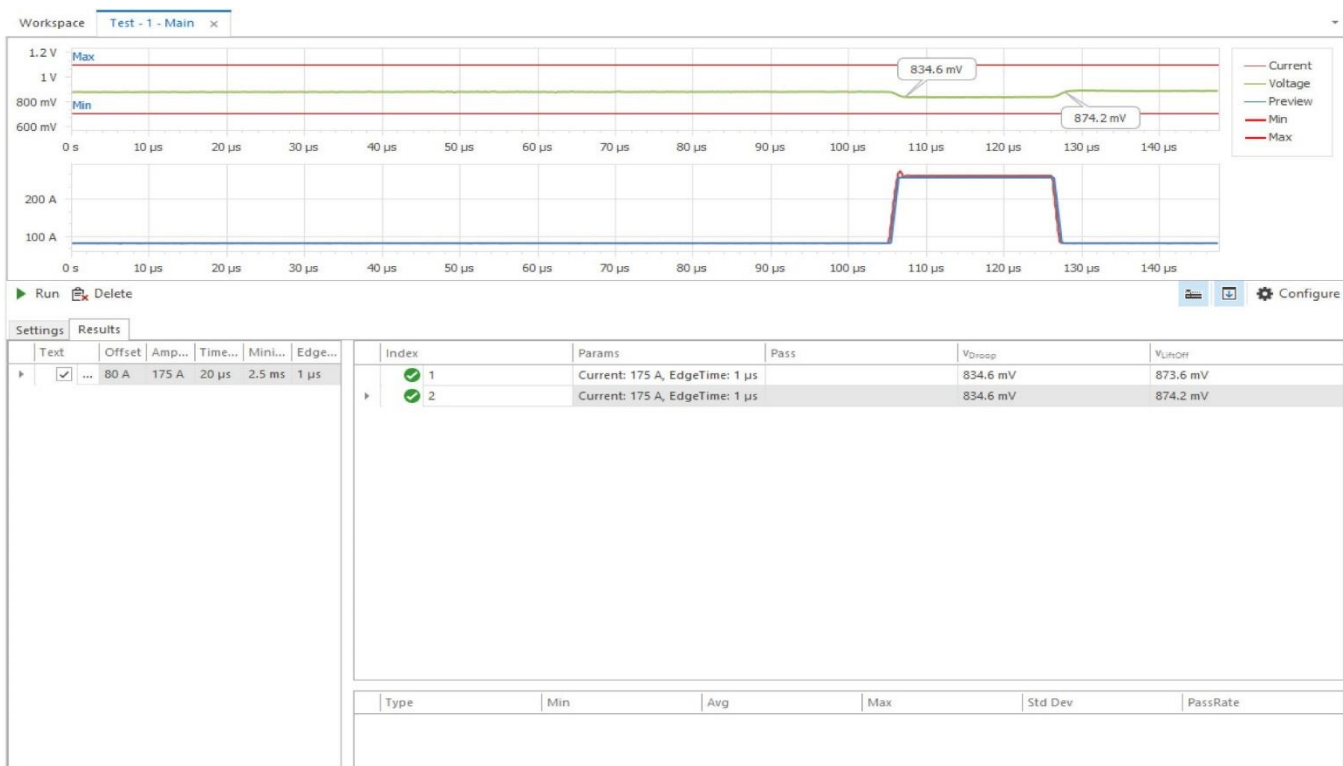
# LoadSlammer GUI

Workspace **Test - 1** x

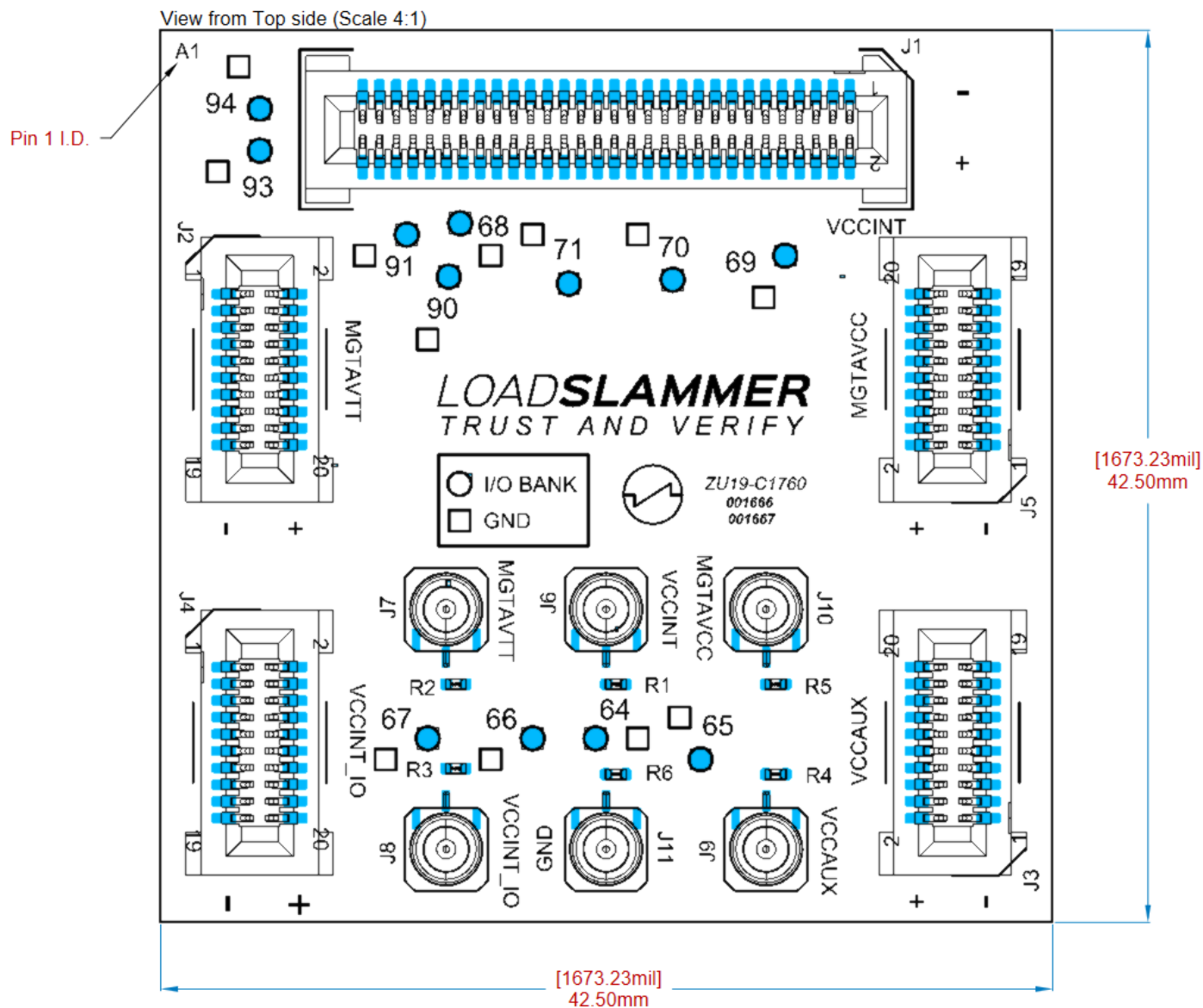
Available Tests Name: Test - 1    Rail: None

- Transient Test**  
Transient load step with adjustable rise times, current, and pulse width.
- Pulse Train**  
Repeating load steps with a configurable frequency and duty cycle.
- Impedance (Z)**  
Large signal output impedance with adjustable current amplitude and offset.
- DC Load**  
DC Load with timer.
- Delay**  
Timed delay.

## Transient test

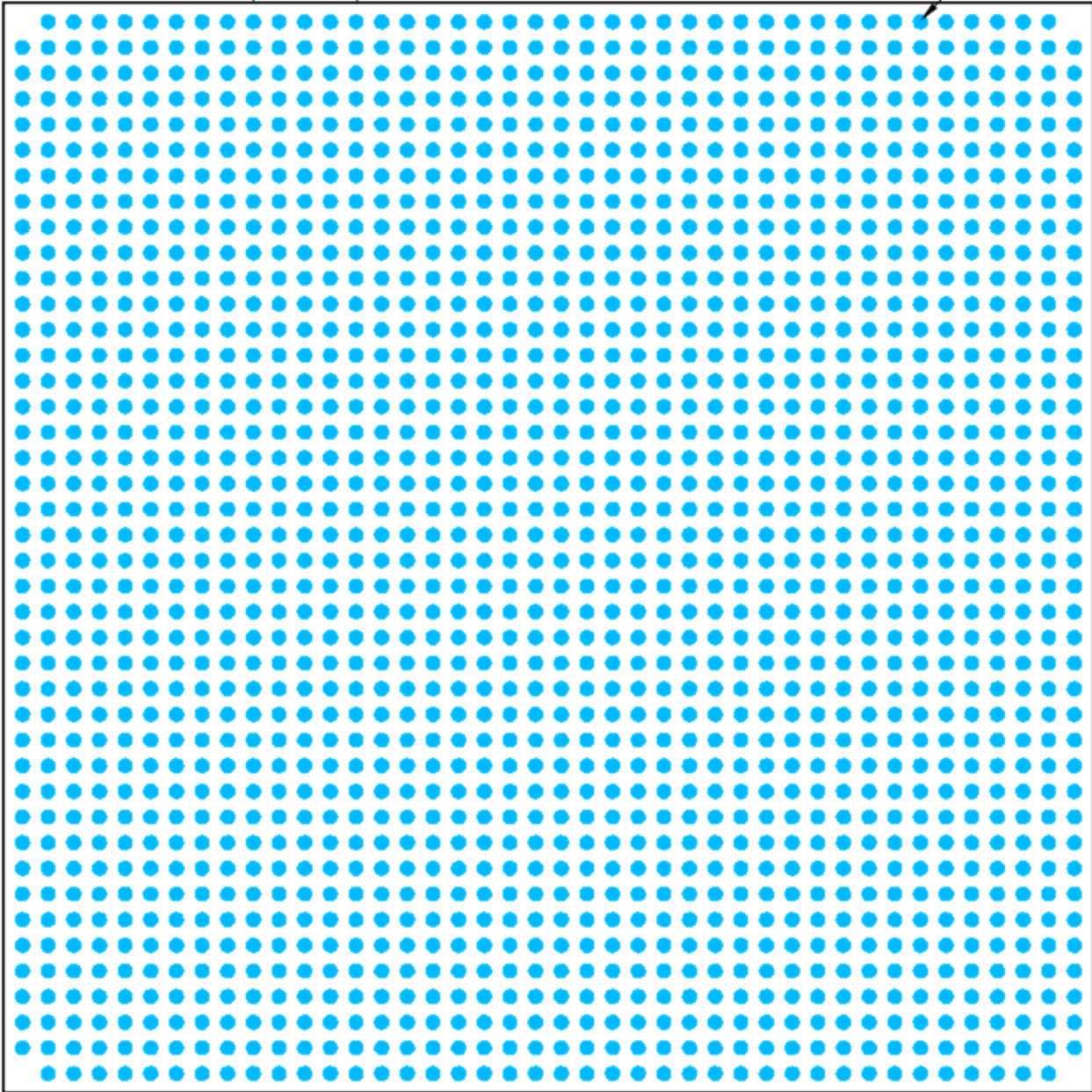


## Mechanical Specs



View from Bottom side (Scale 4:1)

1mm BGA Pitch





## Packing Tray Specs

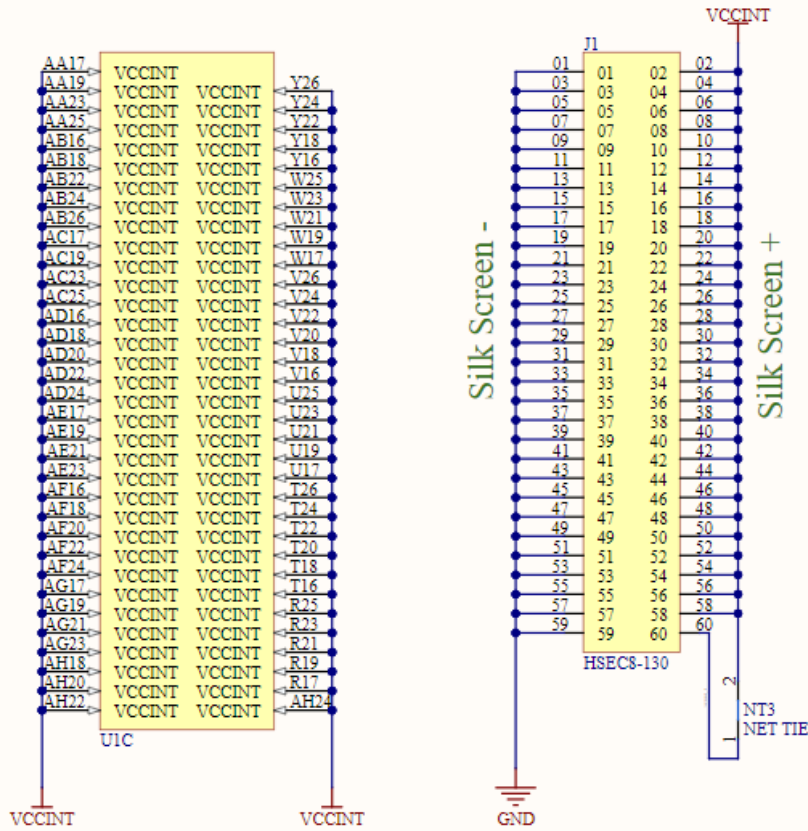
56.57mm x149.80mm x14.6mm

A1 - top left corner

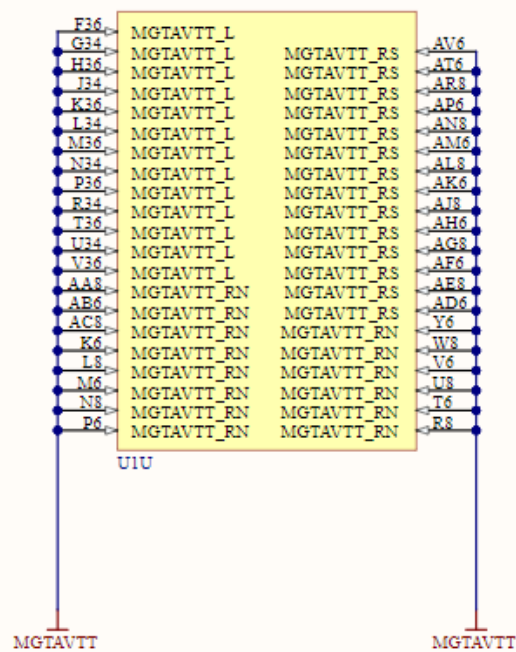
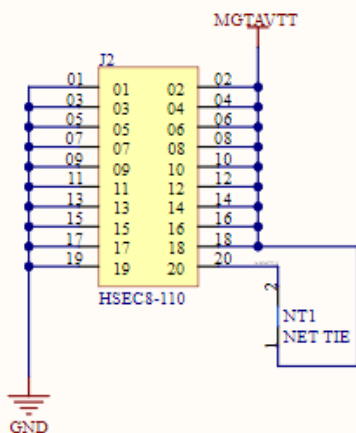


## Schematics

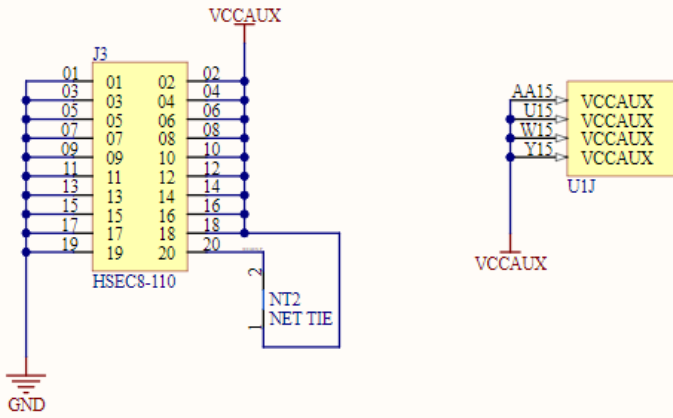
# VCCINT



# MGTAVTT

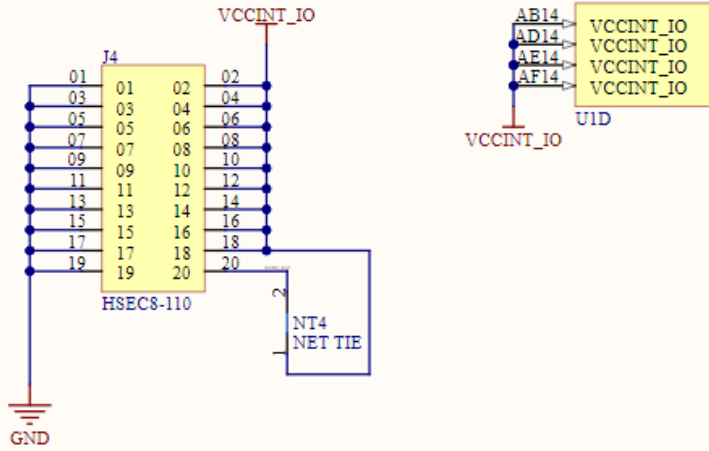


# VCCAUX





# VCCINT\_IO



# MGTAVCC

