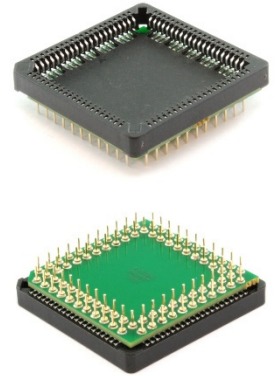


Datasheet revision 1.0

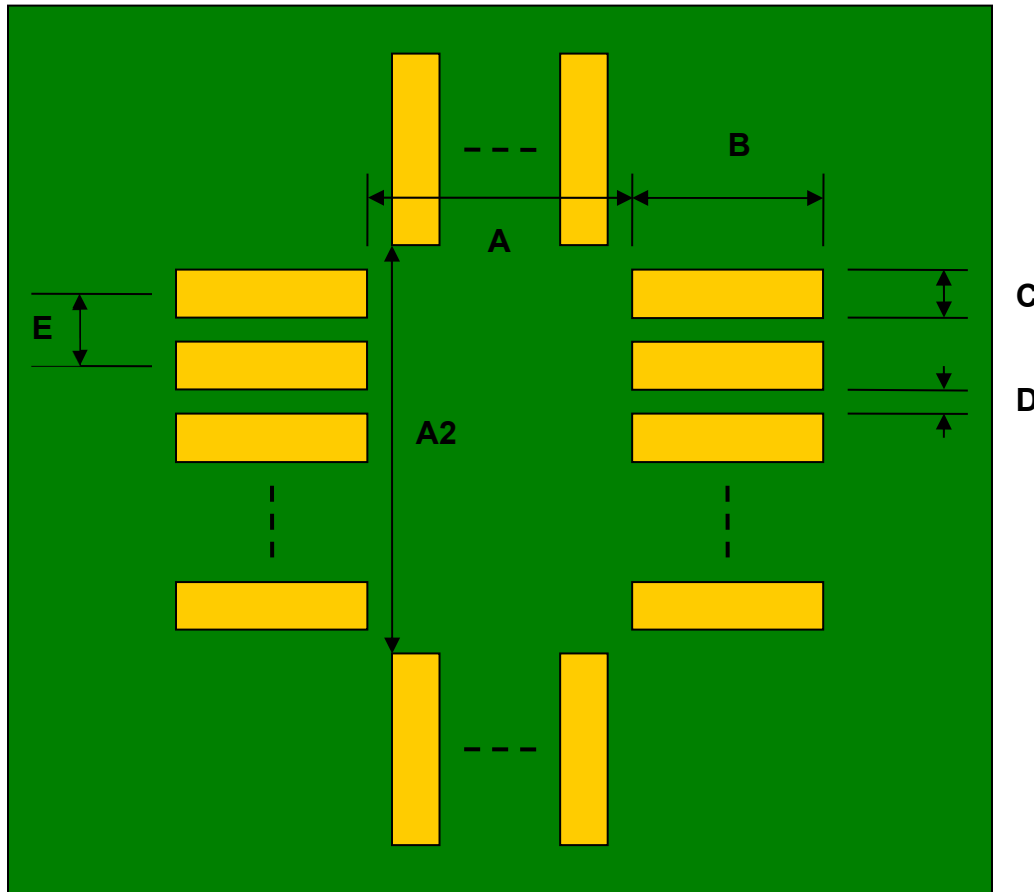
www.Proto-Advantage.com

PLCC-84/JLCC-84/LCC-84 (Pin 1 Out) Socket *Compact Series* to PGA-84 SMT Adapter (1.27 mm pitch, 30 x 30 mm body)

DIMENSIONS						
REF.	mm			inches		
	MIN.	TYP.	MAX.	MIN.	TYP.	MAX.
A		26.95				
A2		26.95				
B		2.75				
C		0.80				
D		0.47				
E		1.27				
F					0.1	
G					0.1	
H		0.46				
X					1.3	
Y					1.3	

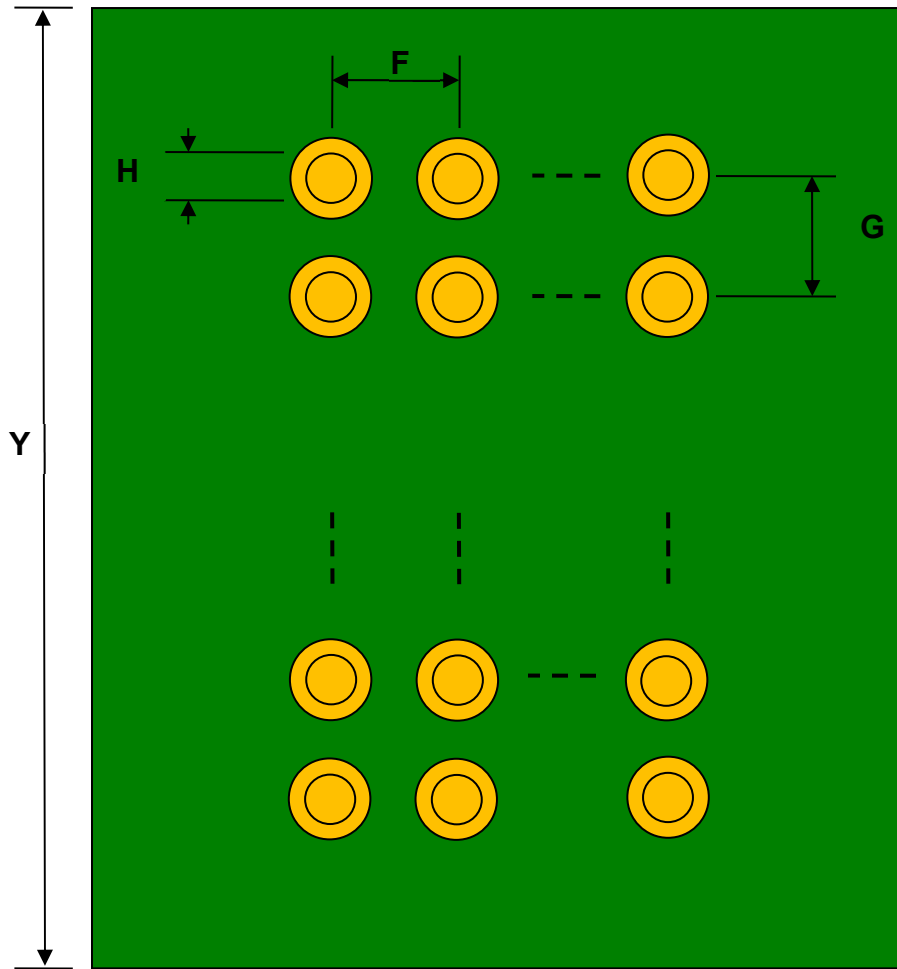


Top View (SMT Footprint)



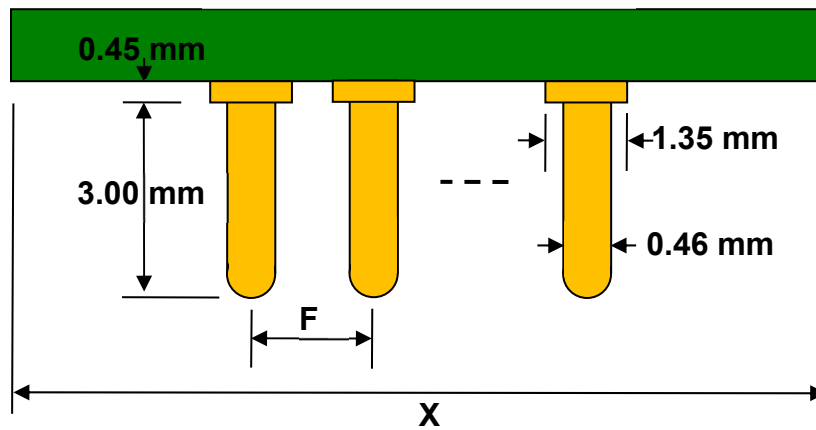
(Representative drawing only - not to scale)

Bottom View (PGA Pins)



(Representative drawing only - not to scale)

Side View (PGA Pins)



(Representative drawing only - not to scale)