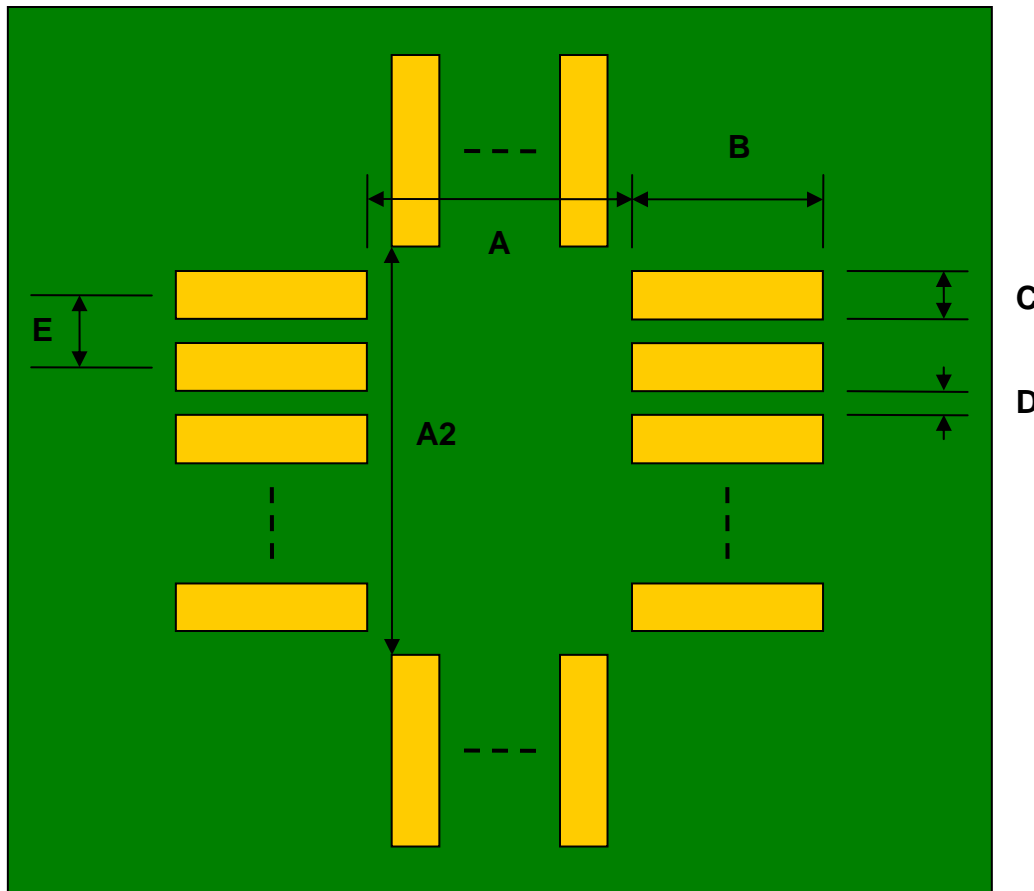


LQFP-112 to PGA-112 SMT Adapter (0.65 mm pitch, 20 x 20 mm body)

REF.	DIMENSIONS					
	mm			inches		
	MIN.	TYP.	MAX.	MIN.	TYP.	MAX.
A		20.00				
A2		20.00				
B		1.50				
C		0.35				
D		0.30				
E		0.65				

Top View (SMT Footprint)



(Representative drawing only - not to scale)