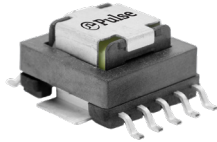


SMT Power SENSE Transformers

PB002XNL Series



- Height:** 10mm Max
- Footprint:** 19.9mm x 14.5mm Max
- Frequency Range:** 20kHz to 500kHz
- Current Rating:** up to 35A

Electrical Specifications @ 25°C - Operating Temperature -40°C to +125°C

Part Number	Turns Ratio	Secondary Inductance (mH MIN)	DCR (mΩ MAX)		Hipot (V _{DC})
			Primary (11-12)	Secondary (2-4)	
PB0025NL	50:1	1.4	0.42	700	1000
PB0026NL	100:1	5.6	0.42	1400	1000
PB0027NL	200:1	22.4	0.42	2900	1000

Notes:

- The temperature of the component (ambient temperature plus temperature rise) must be within the specified operating temperature range.
- The maximum current rating is based upon temperature rise of the component and represents the DC current which will cause a typical temperature rise of 40°C with no airflow.
- To calculate the value of the terminating resistor (RT) use the following formula:

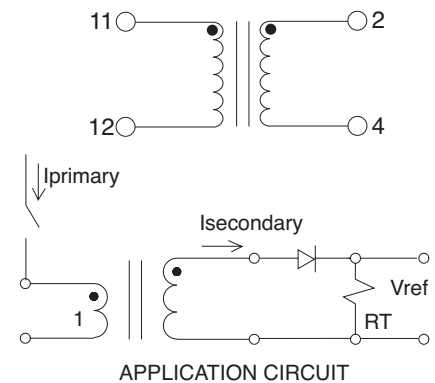
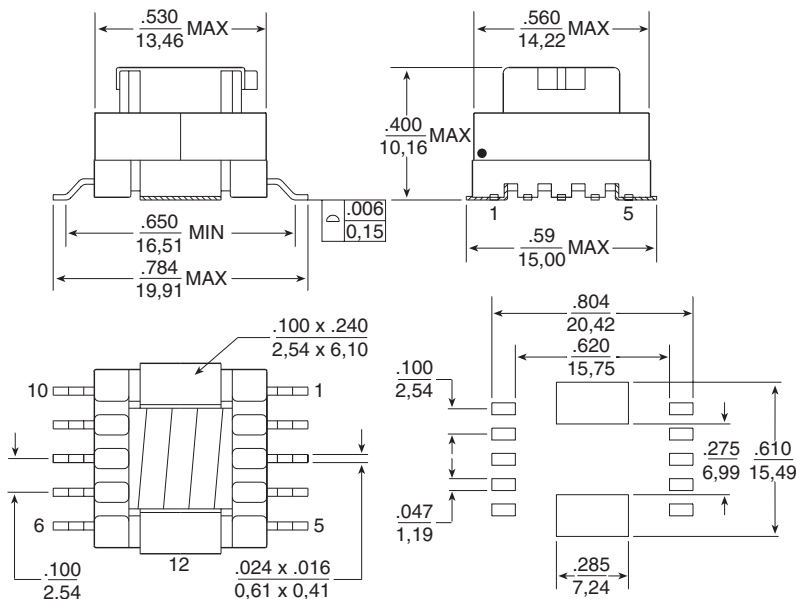
$$R_t (\Omega) = V_{REF} * N / (I_{peak_primary})$$
- The peak flux density of the device must remain below 2000 Gauss. To calculate the peak flux density for uni-polar current use following formula:

$$BPK = 64.9 * V_{REF} * (Duty_Cycle_Max) * 105 / (N * Freq_kHz)$$
- * for bi-polar current applications divide BPK (as calculated above) by 2.
- Optional Tape & Packaging can be ordered by adding a "T" suffix to the part number (i.e. PA0368.050NL becomes PA0368.050NLT). Pulse complies to the industry standard tape and reel specification EIA481.
- The "NL" suffix indicates an RoHS-compliant part number. Non-NL suffixed parts are not necessarily RoHS compliant, but are electrically and mechanically equivalent to NL versions. If a part number does not have the "NL" suffix, but an RoHS compliant version is required, please contact Pulse for availability.

Mechanical

Schematic

PB002XNL



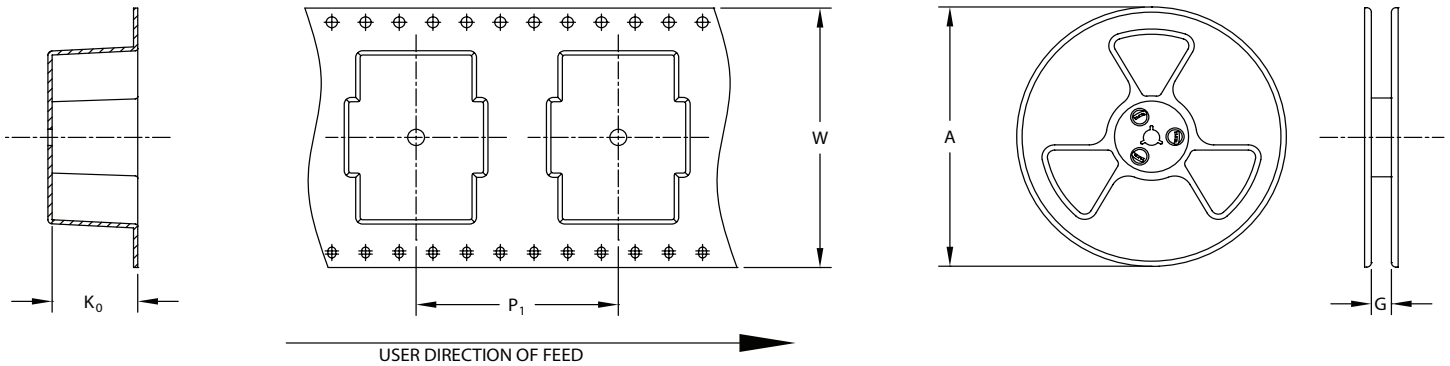
Weight4.7grams
Tape & Reel200/reel
Tray70/tray
Dimensions: $\frac{\text{Inches}}{\text{mm}}$
 Unless otherwise specified,
 all tolerances are: $\pm \frac{010}{0,25}$

SMT Power SENSE Transformers

PB002XNL Series



TAPE & REEL INFO



SURFACE MOUNTING TYPE, REEL/TAPE LIST

PART NUMBER	REEL SIZE (mm)		TAPE SIZE (mm)			QTY
	A	G	P ₁	W	K ₀	PCS/REEL
PB002XNLT	Ø330	32.4	24	32	10.16	200

For More Information

Pulse Worldwide Headquarters

15255 Innovation Drive Ste 100
San Diego, CA 92128
U.S.A.

Pulse Europe

Pulse Electronics GmbH
Am Rottland 12
58540 Meinerzhagen
Germany

Pulse China Headquarters

Pulse Electronics (ShenZhen) CO., LTD
D708, Shenzhen Academy of
Aerospace Technology,
The 10th Keji South Road,
Nanshan District, Shenzhen,
P.R. China 518057

Pulse North China

Room 2704/2705
Super Ocean Finance Ctr.
2067 Yan An Road West
Shanghai 200336
China

Pulse South Asia

3 Fraser Street 0428
DUO Tower
Singapore 189352

Pulse North Asia

1F., No.111 Xiyuan Road
Zhongli District
Taoyuan City 32057
Taiwan (R.O.C)

Tel: 858 674 8100
Fax: 858 674 8262

Tel: 49 2354 777 100
Fax: 49 2354 777 168

Tel: 86 755 33966678
Fax: 86 755 33966700

Tel: 86 21 62787060
Fax: 86 2162786973

Tel: 65 6287 8998
Fax: 65 6280 0080

Tel: 886 3 4356768
Fax: 886 3 4356820

Performance warranty of products offered on this data sheet is limited to the parameters specified. Data is subject to change without notice. Other brand and product names mentioned herein may be trademarks or registered trademarks of their respective owners. © Copyright, 2020. Pulse Electronics, Inc. All rights reserved.