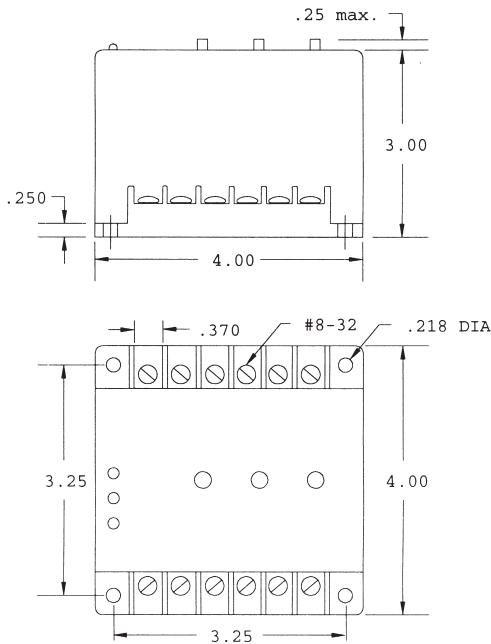
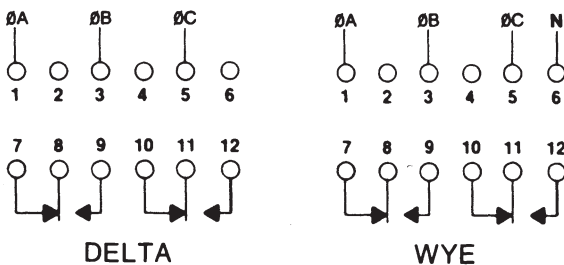


## True RMS Voltage Band Monitor

### DIMENSIONS (INCHES)



### WIRING



In today's industrial environment, Line Noise and Power Line Harmonics are becoming an increasing problem. **TRUE-RMS** detection may be necessary for achieving accurate Line Voltage measurement.

### OPERATION

With normal operating voltages applied in the proper ABC sequence, the internal relay will energize (PICK-UP). When the voltages on any or all phases fall outside the preset Over/Under trip points for longer than the Drop-Out Time delay, the relay will de-energize (DROP-OUT). When line conditions return to normal, the PBE Series Monitor automatically resets and the internal relay energizes.

The PBE Series is UL Listed under UL File Number E55826.

### SPECIFICATIONS

<b>OUTPUT RATING</b>	DPDT, 10 Amps Resistive, 1/4 HP 278VA @ 240 VAC
<b>RESET</b>	Automatic
<b>PHASE SEQUENCE</b>	ABC (Will Not Operate CBA)
<b>HYSTERESIS</b>	2%
<b>REPEAT ACCURACY</b>	0.1% @ Fixed Condition
<b>INDICATORS LED</b>	Glow On Fault; (1) For Over, (1) For Under, (1) For Sequence
<b>RESPONSE TIMES</b>	Operate 200 mSEC (approx.) Release 0.2 to 30 SEC, Adjustable
<b>TEMPERATURE RATING</b>	Operate 32° to +104°F (0° to +40°C) Storage -49° to 185°F (-45° to +85°C)
<b>ENCLOSURE</b>	Style "E" LEXAN® Surface Mount
<b>WEIGHT</b>	14 oz.

#### DELTA CONNECTED

MODEL NUMBER	MAXIMUM VOLTAGE	ADJUSTABLE RANGES	
		UNDER	OVER
PBE-120-ASE	155 VAC	90-120	120-150
PBE-230-ASE	275 VAC	185-240	208-265
PBE-400-ASE	485 VAC	325-385	415-475
PBE-440-ASE	550 VAC	390-480	440-540
PBE-480-ASE	570 VAC	400-490	460-560
PBE-575-ASE	700 VAC	500-610	540-690

All voltages referenced on this page are phase-to-phase, unless otherwise indicated.

#### WYE CONNECTED

MODEL NUMBER	MAXIMUM VOLTAGE	ADJUSTABLE RANGES (Phase to Neutral)	
		UNDER	OVER
PBE-120/208-ASE	160 VAC, P to N 277 VAC, P to P	90-120	120-150
PBE-220/380-ASE	260 VAC, P to N 450 VAC, P to P	185-220	220-255
PBE-277/480-ASE	326 VAC, P to N 565 VAC, P to P	235-277	277-320

All voltages referenced on this page are phase-to-phase, unless otherwise indicated.