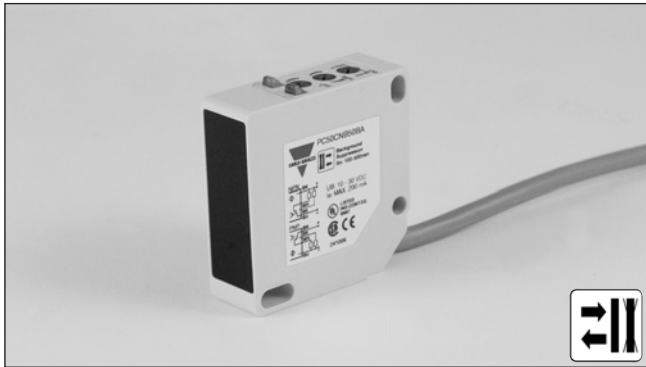


Photoelectrics

Diffuse-reflective, Background Suppression

Type PC50CNB50BA

CARLO GAVAZZI



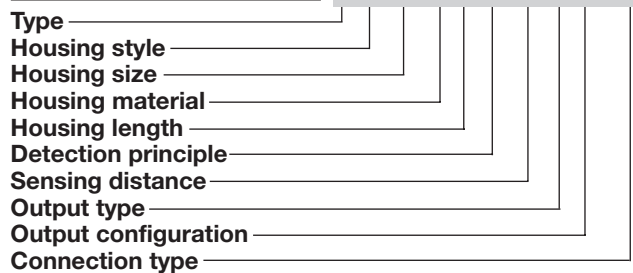
- Range: 500 mm
- Adjustable background suppression 120-500 mm
- Modulated, infrared light
- Supply voltage: 10 to 30 VDC
- Output: 200 mA, NPN or PNP selectable
- Make and break switching function programmable
- LED for output indication, signal stability and power ON
- Protection: reverse polarity, short circuit, transients
- Cable and plug version
- Color independent detection
- Excellent EMC

Product Description

The PC50CNB is a family of high accuracy background suppression sensors in a compact square 17 x 50 x 50 mm reinforced PC/ABS-housing. They are useful in applications where color independence or background suppression is necessary. The long sensing range together with sensitivity adjustment gives a very flexible sensor. The DC types are with a transistor output and the configuration is fully programmable (NPN, PNP, NO and NC).

Ordering Key

PC50CNB50BAM1



Type Selection

Housing W x H x D	Range S _n	Ordering no. NPN & PNP cable Make & break switching	Ordering no. NPN & PNP plug Make & break switching
17 x 50 x 50 mm	500 mm	PC 50 CNB 50 BA	PC 50 CNB 50 BAM1

Specifications

Rated operating distance (S_n)	Up to 500 mm, reference target Kodak test card R 27, 90% white and 18% grey reflectivity, 200 x 200 mm	Protection	Short-circuit, reverse polarity, transients
Blind zone	Max. 120 mm	Light source	GaAlAs, LED, 850 nm
Sensitivity	Adjustable by two single-turn potentiometers, coarse and fine	Light type	Infrared, modulated
Temperature drift	± 0.5%/°C	Sensing angle	± 2°
Hysteresis (H) differential travel	Max. 20% on grey and white	Ambient light	Max. 10'000 lux
Rated operational volt. (U_B)	10 to 30 VDC (ripple included)	Operating frequency	250 Hz
Ripple (U_{ripp})	≤ 10%	Response time	OFF-ON (t _{ON}) ≤ 2 ms ON-OFF (t _{OFF}) ≤ 2 ms
Output current	Continuous (I _a) ≤ 200 mA Short-time (I) ≤ 200 mA, (max. load capacity 100 nF)	Power ON delay (t_v)	< 300 ms
No load supply current (I_o)	80 mA @ 10 VDC 40 mA @ 30 VDC	Output function	NPN and PNP Complementary switch Switch selectable Make and break (NO + NC)
Minimum operational current (I_m)	0.5 mA	Indication function	Output ON Signal stability ON and power ON LED, yellow LED, green
OFF-state current (I_r)	≤ 100 μA	Environment	Installation category II (IEC 60664/60664A; 60947-1) Pollution degree 3 (IEC 60664/60664A; 60947-1) Degree of protection IP 67 (IEC 60529; 60947-1)
Voltage drop (U_d)	≤ 2.5 VDC @ 200 mA	Temperature	Operating -20° to +60°C (-4° to +140°F) Storage -25° to +80°C (-13° to +176°F)

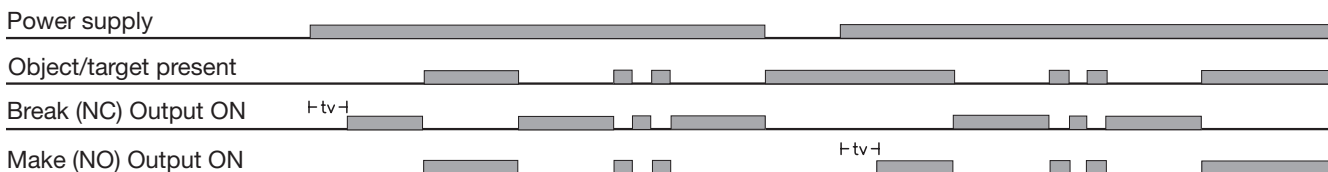


Specifications (cont.)

Vibration	10 to 150 Hz, 0.5 mm/7.5 g (IEC 60068-2-6)	Connection	PVC, grey, 2 m, 4 x 0.34 mm ²
Shock	2 x 1 m & 100 x 0.5 m (IEC 60068-2-6, 60068-2-32)	Cable	PBTP, M12 x 1
Rated insulation voltage	50 VAC (rms)	Plug	Cables for plug (M1)
Housing material		Weight	130 g
Body	PC/ABS, grey	CE-marking	Yes
Front glass	PC black		
Mounting bracket	Steel, galvanized		

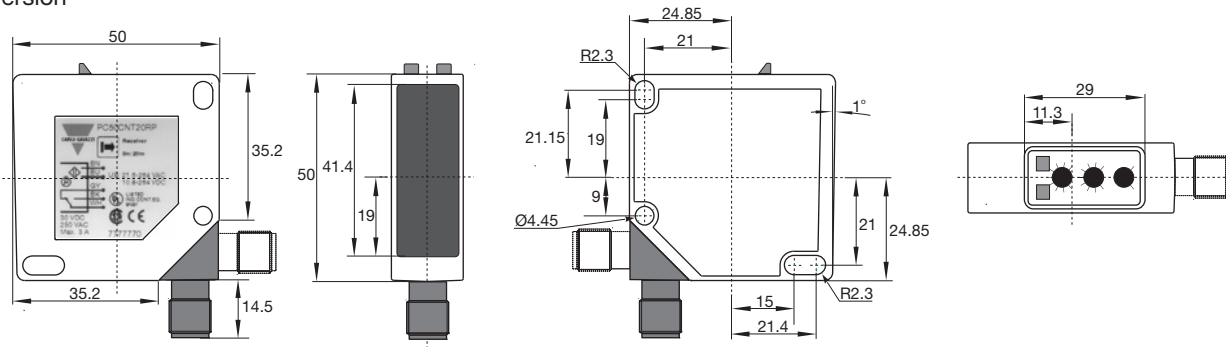
Operation Diagram

tv = Power ON delay



Dimensions

Plug version



Cable version

