



# PCA9674; PCA9674A

Remote 8-bit I/O expander for Fm+ I<sup>2</sup>C-bus with interrupt

Rev. 7 — 30 May 2013

Product data sheet

## 1. General description

---

The PCA9674/74A provides general-purpose remote I/O expansion via the two-wire bidirectional I<sup>2</sup>C-bus (serial clock (SCL), serial data (SDA)).

The devices consist of eight quasi-bidirectional ports, 1 MHz I<sup>2</sup>C-bus Fast-mode Plus (Fm+) family interface, with high speed data transfer it can support PWM dimming of LEDs, and higher I<sup>2</sup>C-bus drive 30 mA for more devices can be on the bus without the need for bus buffers. Three hardware address inputs and interrupt output operating between 2.3 V and 5.5 V. The quasi-bidirectional port can be independently assigned as an input to monitor interrupt status or keypads, or as an output to activate indicator devices such as LEDs. The system master can read from the input port or write to the output port through a single register.

The low current consumption of 4.5  $\mu$ A (typical, static) is great for mobile applications and the latched output ports have 25 mA high current sink drive capability for directly driving LEDs.

The PCA9674 and PCA9674A are identical except for the different, non-overlapping slave address. The three hardware selectable address pins can be decode to 64 addresses for the PCA9674 and 62 addresses for the PCA9674A, so there can be up to 126 of these I/O expanders PCA9674/74A together on the same I<sup>2</sup>C-bus without the need for bus buffers, supporting up to 1008 I/Os (for example, 1008 LEDs).

The active LOW open-drain interrupt output ( $\overline{\text{INT}}$ ) can be connected to the interrupt logic of the microcontroller and is activated when any input state differs from its corresponding input port register state. It is used to indicate to the microcontroller that an input state has changed and the device needs to be interrogated without the microcontroller continuously polling the input register via the I<sup>2</sup>C-bus.

The internal Power-On Reset (POR) initializes the I/Os as inputs with a weak internal pull-up 100  $\mu$ A current source.

## 2. Features and benefits

---

- I<sup>2</sup>C-bus to parallel port expander
- 1 MHz I<sup>2</sup>C-bus interface (Fast-mode Plus I<sup>2</sup>C-bus)
- SDA with 30 mA sink capability for 4000 pF buses
- Operating supply voltage 2.3 V to 5.5 V with 5.5 V tolerant I/Os held to  $V_{\text{DD}}$  with 100  $\mu$ A current source
- 8-bit remote I/O pins that default to inputs at power-up
- Latched outputs with 25 mA sink capability for directly driving LEDs
- Total package sink capability of 200 mA



- Active LOW open-drain interrupt output
- Sixty-four programmable slave addresses using three address pins (PCA9674A - sixty-two)
- Readable device ID (manufacturer, device type, and revision)
- Software Reset pushes the device back to Power-On Reset state
- Low standby current (4.5  $\mu$ A typical)
- -40 °C to +85 °C operation
- ESD protection exceeds 2000 V HBM per JESD22-A114 and 1000 V CDM per JESD22-C101
- Latch-up testing is done to JEDEC standard JESD78 which exceeds 100 mA
- Packages offered: SO16, TSSOP16, HVQFN16

### 3. Applications

---

- LED signs and displays
- Servers
- Key pads
- Industrial control
- Medical equipment
- PLCs
- Cellular telephones
- Mobile devices
- Gaming machines
- Instrumentation and test measurement

## 4. Ordering information

Table 1. Ordering information

Type number	Topside mark	Package		
		Name	Description	Version
PCA9674BS	674	HVQFN16	plastic thermal enhanced very thin quad flat package; no leads; 16 terminals; body 3 × 3 × 0.85 mm	SOT758-1
PCA9674ABS	74A			
PCA9674D	PCA9674D	SO16	plastic small outline package; 16 leads; body width 7.5 mm	SOT162-1
PCA9674AD	PCA9674AD			
PCA9674PW	PCA9674	TSSOP16	plastic thin shrink small outline package; 16 leads; body width 4.4 mm	SOT403-1
PCA9674APW	9674A			

### 4.1 Ordering options

Table 2. Ordering options

Type number	Orderable part number	Package	Packing method	Minimum order quantity	Temperature range
PCA9674BS	PCA9674BS,118	HVQFN16	Reel 13" Q1/T1 *standard mark SMD	6000	T <sub>amb</sub> = -40 °C to +85 °C
PCA9674ABS	PCA9674ABS,118	HVQFN16	Reel 13" Q1/T1 *standard mark SMD	6000	T <sub>amb</sub> = -40 °C to +85 °C
PCA9674D	PCA9674D,512	SO16	Standard marking * tube dry pack	1920	T <sub>amb</sub> = -40 °C to +85 °C
	PCA9674D,518	SO16	Reel 13" Q1/T1 *standard mark SMD dry pack	1000	T <sub>amb</sub> = -40 °C to +85 °C
PCA9674AD	PCA9674AD,512	SO16	Standard marking * tube dry pack	1920	T <sub>amb</sub> = -40 °C to +85 °C
	PCA9674AD,518	SO16	Reel 13" Q1/T1 *standard mark SMD dry pack	1000	T <sub>amb</sub> = -40 °C to +85 °C
PCA9674PW	PCA9674PW,112	TSSOP16	Standard marking * IC's tube - DSC bulk pack	2400	T <sub>amb</sub> = -40 °C to +85 °C
	PCA9674PW,118	TSSOP16	Reel 13" Q1/T1 *standard mark SMD	2500	T <sub>amb</sub> = -40 °C to +85 °C
PCA9674APW	PCA9674APW,112	TSSOP16	Standard marking * IC's tube - DSC bulk pack	2400	T <sub>amb</sub> = -40 °C to +85 °C
	PCA9674APW,118	TSSOP16	Reel 13" Q1/T1 *standard mark SMD	2500	T <sub>amb</sub> = -40 °C to +85 °C

## 5. Block diagram

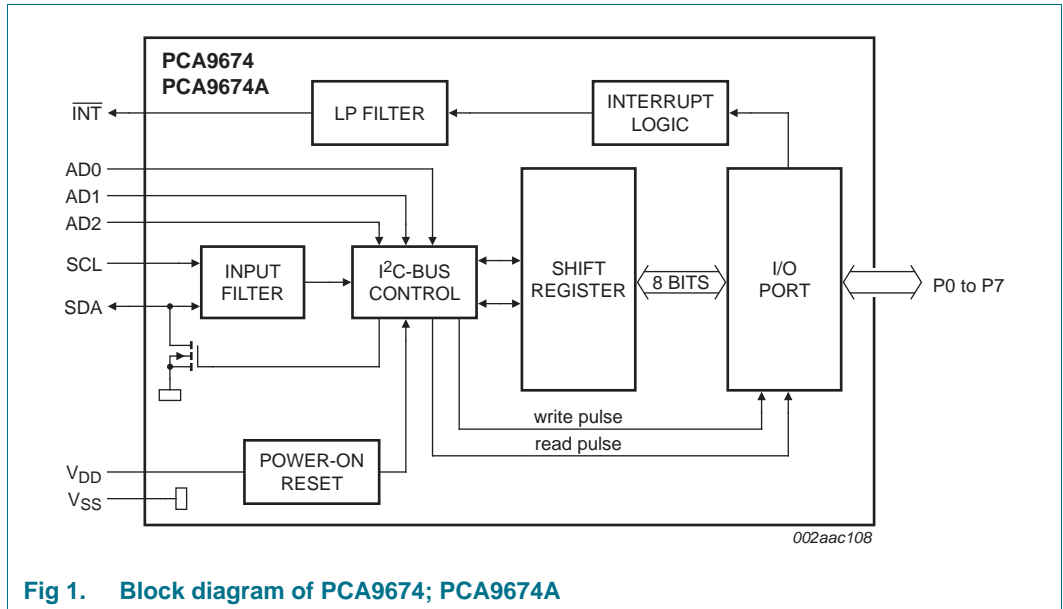


Fig 1. Block diagram of PCA9674; PCA9674A

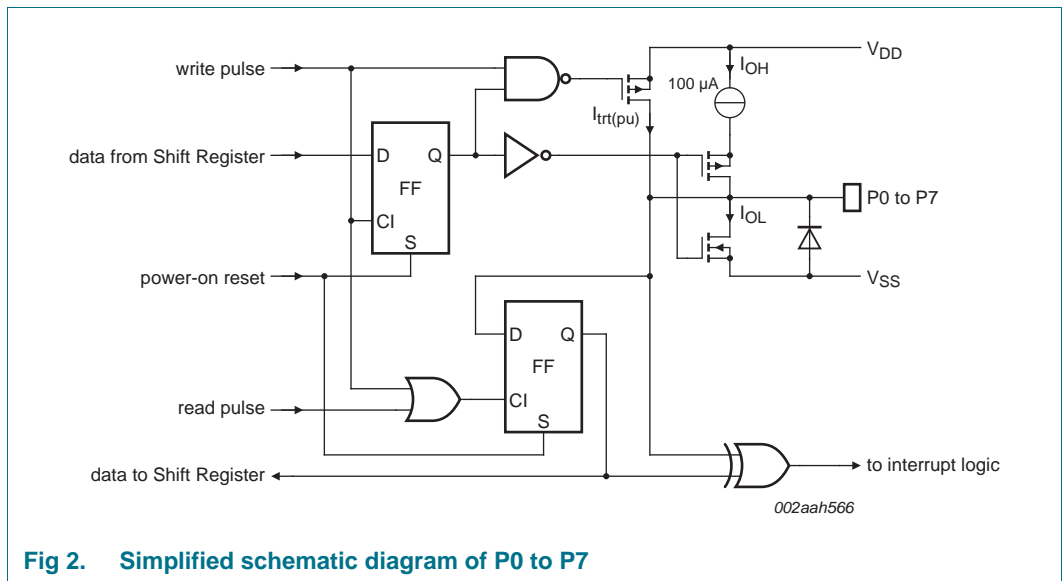


Fig 2. Simplified schematic diagram of P0 to P7

## 6. Pinning information

### 6.1 Pinning

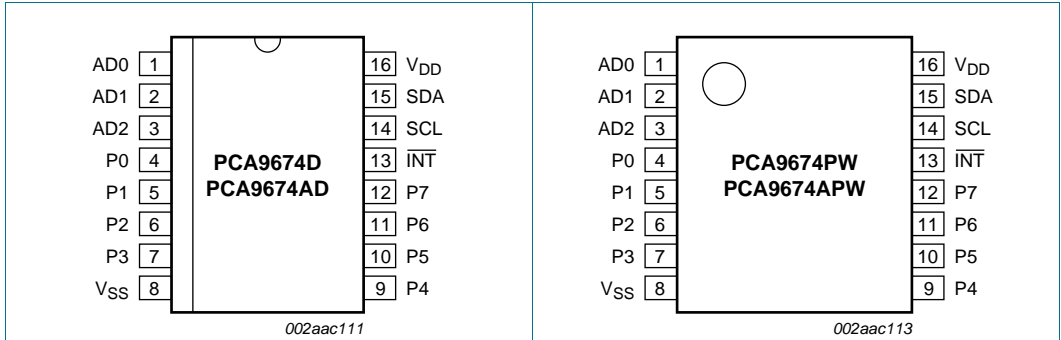


Fig 3. Pin configuration for SO16

Fig 4. Pin configuration for TSSOP16

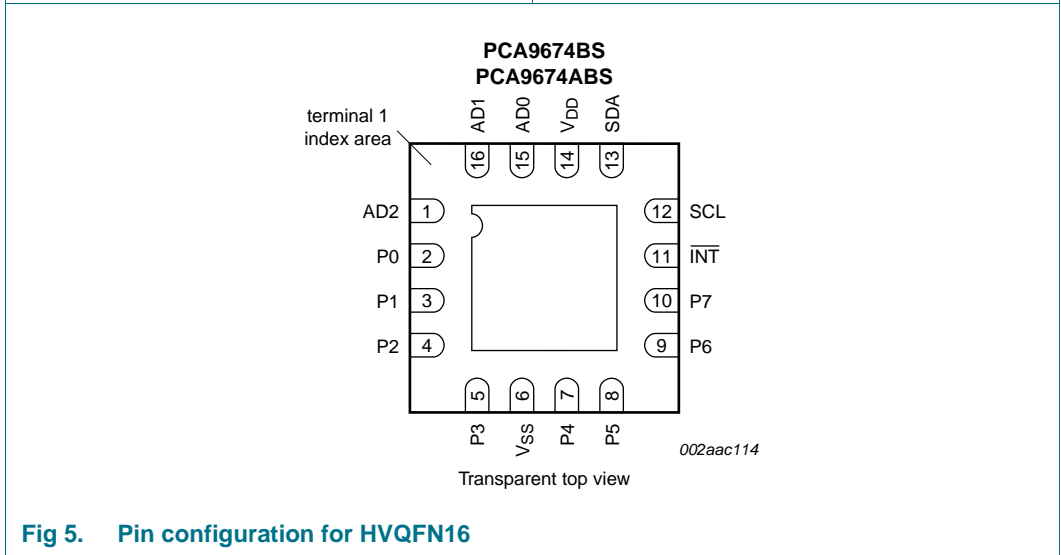


Fig 5. Pin configuration for HVQFN16

### 6.2 Pin description

Table 3. Pin description

Symbol	Pin		Description
	SO16, TSSOP16	HVQFN16	
AD0	1	15	address input 0
AD1	2	16	address input 1
AD2	3	1	address input 2
P0	4	2	quasi-bidirectional I/O 0
P1	5	3	quasi-bidirectional I/O 1
P2	6	4	quasi-bidirectional I/O 2
P3	7	5	quasi-bidirectional I/O 3
V <sub>SS</sub>	8	6	supply ground
P4	9	7	quasi-bidirectional I/O 4

Table 3. Pin description ...continued

Symbol	Pin		Description
	SO16, TSSOP16	HVQFN16	
P5	10	8	quasi-bidirectional I/O 5
P6	11	9	quasi-bidirectional I/O 6
P7	12	10	quasi-bidirectional I/O 7
INT	13	11	interrupt output (active LOW)
SCL	14	12	serial clock line
SDA	15	13	serial data line
V <sub>DD</sub>	16	14	supply voltage

[1] HVQFN16 package die supply ground is connected to both the V<sub>SS</sub> pin and the exposed center pad. The V<sub>SS</sub> pin must be connected to supply ground for proper device operation. For enhanced thermal, electrical, and board-level performance, the exposed pad needs to be soldered to the board using a corresponding thermal pad on the board, and for proper heat conduction through the board thermal vias need to be incorporated in the PCB in the thermal pad region.

## 7. Functional description

Refer to [Figure 1 “Block diagram of PCA9674; PCA9674A”](#).

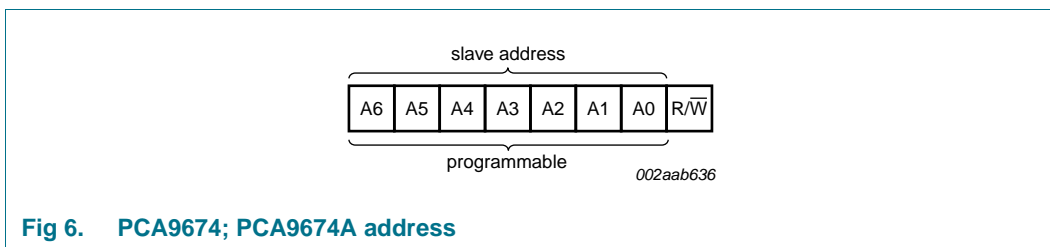
### 7.1 Device address

Following a START condition, the bus master must send the address of the slave it is accessing and the operation it wants to perform (read or write). The address format of the PCA9674/PCA9674A is shown in [Figure 6](#). Slave address pins AD2, AD1, and AD0 are used to choose 1 of 64 slave addresses. These devices can monitor the change in SDA or SCL in addition to the static levels of V<sub>DD</sub> or V<sub>SS</sub> to decode four states allowing a larger address range. To conserve power, no internal pull-up resistors are incorporated on AD2, AD1 or AD0 so they must be externally connected to V<sub>DD</sub>, V<sub>SS</sub> directly or through resistors, or directly to SCL or SDA. The address values depending on AD2, AD1 and AD0 can be found in [Table 4 “PCA9674 address map”](#) and [Table 5 “PCA9674A address map”](#).

**Remark:** When using the PCA9674A, the General Call address (0000 0000b) and the Device ID address (1111 100Xb) are reserved and cannot be used as device address. Failure to follow this requirement will cause the PCA9674A not to acknowledge.

**Remark:** When using the PCA9674 or the PCA9674A, reserved I<sup>2</sup>C-bus addresses must be used with caution since they can interfere with:

- “reserved for future use” I<sup>2</sup>C-bus addresses (0000 011, 1111 101, 1111 110, 1111 111)
- slave devices that use the 10-bit addressing scheme (1111 0xx)
- High speed mode (Hs-mode) master code (0000 1xx)



**Fig 6. PCA9674; PCA9674A address**

The last bit of the first byte defines the operation to be performed. When set to logic 1 a read is selected, while a logic 0 selects a write operation.

When AD2, AD1 and AD0 are held to V<sub>DD</sub> or V<sub>SS</sub>, the same address as the PCF8574 or PCF8574A or the newer PCA8574 or PCA8574A is applied.

### 7.1.1 Address maps

The PCA9674 and PCA9674A are functionally the same, but have non-overlapping address ranges. This allows 64 of the PCA9674 devices and 62 of the PCA9674A devices to be on the same I<sup>2</sup>C-bus without address conflict.

**Table 4. PCA9674 address map**

Pin connectivity			Address of PCA9674								Address byte value		7-bit hexadecimal address without R/W
AD2	AD1	AD0	A6	A5	A4	A3	A2	A1	A0	R/W	Write	Read	
V <sub>SS</sub>	SCL	V <sub>SS</sub>	0	0	1	0	0	0	0	-	20h	21h	10h
V <sub>SS</sub>	SCL	V <sub>DD</sub>	0	0	1	0	0	0	1	-	22h	23h	11h
V <sub>SS</sub>	SDA	V <sub>SS</sub>	0	0	1	0	0	1	0	-	24h	25h	12h
V <sub>SS</sub>	SDA	V <sub>DD</sub>	0	0	1	0	0	1	1	-	26h	27h	13h
V <sub>DD</sub>	SCL	V <sub>SS</sub>	0	0	1	0	1	0	0	-	28h	29h	14h
V <sub>DD</sub>	SCL	V <sub>DD</sub>	0	0	1	0	1	0	1	-	2Ah	2Bh	15h
V <sub>DD</sub>	SDA	V <sub>SS</sub>	0	0	1	0	1	1	0	-	2Ch	2Dh	16h
V <sub>DD</sub>	SDA	V <sub>DD</sub>	0	0	1	0	1	1	1	-	2Eh	2Fh	17h
V <sub>SS</sub>	SCL	SCL	0	0	1	1	0	0	0	-	30h	31h	18h
V <sub>SS</sub>	SCL	SDA	0	0	1	1	0	0	1	-	32h	33h	19h
V <sub>SS</sub>	SDA	SCL	0	0	1	1	0	1	0	-	34h	35h	1Ah
V <sub>SS</sub>	SDA	SDA	0	0	1	1	0	1	1	-	36h	37h	1Bh
V <sub>DD</sub>	SCL	SCL	0	0	1	1	1	0	0	-	38h	39h	1Ch
V <sub>DD</sub>	SCL	SDA	0	0	1	1	1	0	1	-	3Ah	3Bh	1Dh
V <sub>DD</sub>	SDA	SCL	0	0	1	1	1	1	0	-	3Ch	3Dh	1Eh
V <sub>DD</sub>	SDA	SDA	0	0	1	1	1	1	1	-	3Eh	3Fh	1Fh
V <sub>SS</sub>	V <sub>SS</sub>	V <sub>SS</sub>	0	1	0	0	0	0	0	-	40h	41h	20h
V <sub>SS</sub>	V <sub>SS</sub>	V <sub>DD</sub>	0	1	0	0	0	0	1	-	42h	43h	21h
V <sub>SS</sub>	V <sub>DD</sub>	V <sub>SS</sub>	0	1	0	0	0	1	0	-	44h	45h	22h
V <sub>SS</sub>	V <sub>DD</sub>	V <sub>DD</sub>	0	1	0	0	0	1	1	-	46h	47h	23h
V <sub>DD</sub>	V <sub>SS</sub>	V <sub>SS</sub>	0	1	0	0	1	0	0	-	48h	49h	24h
V <sub>DD</sub>	V <sub>SS</sub>	V <sub>DD</sub>	0	1	0	0	1	0	1	-	4Ah	4Bh	25h
V <sub>DD</sub>	V <sub>DD</sub>	V <sub>SS</sub>	0	1	0	0	1	1	0	-	4Ch	4Dh	26h

**Table 4. PCA9674 address map ...continued**

Pin connectivity			Address of PCA9674								Address byte value		7-bit hexadecimal address without R/W
AD2	AD1	AD0	A6	A5	A4	A3	A2	A1	A0	R/W	Write	Read	
V <sub>DD</sub>	V <sub>DD</sub>	V <sub>DD</sub>	0	1	0	0	1	1	1	-	4Eh	4Fh	27h
V <sub>SS</sub>	V <sub>SS</sub>	SCL	0	1	0	1	0	0	0	-	50h	51h	28h
V <sub>SS</sub>	V <sub>SS</sub>	SDA	0	1	0	1	0	0	1	-	52h	53h	29h
V <sub>SS</sub>	V <sub>DD</sub>	SCL	0	1	0	1	0	1	0	-	54h	55h	2Ah
V <sub>SS</sub>	V <sub>DD</sub>	SDA	0	1	0	1	0	1	1	-	56h	57h	2Bh
V <sub>DD</sub>	V <sub>SS</sub>	SCL	0	1	0	1	1	0	0	-	58h	59h	2Ch
V <sub>DD</sub>	V <sub>SS</sub>	SDA	0	1	0	1	1	0	1	-	5Ah	5Bh	2Dh
V <sub>DD</sub>	V <sub>DD</sub>	SCL	0	1	0	1	1	1	0	-	5Ch	5Dh	2Eh
V <sub>DD</sub>	V <sub>DD</sub>	SDA	0	1	0	1	1	1	1	-	5Eh	5Fh	2Fh
SCL	SCL	V <sub>SS</sub>	1	0	1	0	0	0	0	-	A0h	A1h	50h
SCL	SCL	V <sub>DD</sub>	1	0	1	0	0	0	1	-	A2h	A3h	51h
SCL	SDA	V <sub>SS</sub>	1	0	1	0	0	1	0	-	A4h	A5h	52h
SCL	SDA	V <sub>DD</sub>	1	0	1	0	0	1	1	-	A6h	A7h	53h
SDA	SCL	V <sub>SS</sub>	1	0	1	0	1	0	0	-	A8h	A9h	54h
SDA	SCL	V <sub>DD</sub>	1	0	1	0	1	0	1	-	AAh	ABh	55h
SDA	SDA	V <sub>SS</sub>	1	0	1	0	1	1	0	-	ACh	ADh	56h
SDA	SDA	V <sub>DD</sub>	1	0	1	0	1	1	1	-	A Eh	A Fh	57h
SCL	SCL	SCL	1	0	1	1	0	0	0	-	B0h	B1h	58h
SCL	SCL	SDA	1	0	1	1	0	0	1	-	B2h	B3h	59h
SCL	SDA	SCL	1	0	1	1	0	1	0	-	B4h	B5h	5Ah
SCL	SDA	SDA	1	0	1	1	0	1	1	-	B6h	B7h	5Bh
SDA	SCL	SCL	1	0	1	1	1	0	0	-	B8h	B9h	5Ch
SDA	SCL	SDA	1	0	1	1	1	0	1	-	BAh	BBh	5Dh
SDA	SDA	SCL	1	0	1	1	1	1	0	-	BCh	BDh	5Eh
SDA	SDA	SDA	1	0	1	1	1	1	1	-	BEh	BFh	5Fh
SCL	V <sub>SS</sub>	V <sub>SS</sub>	1	1	0	0	0	0	0	-	C0h	C1h	60h
SCL	V <sub>SS</sub>	V <sub>DD</sub>	1	1	0	0	0	0	1	-	C2h	C3h	61h
SCL	V <sub>DD</sub>	V <sub>SS</sub>	1	1	0	0	0	1	0	-	C4h	C5h	62h
SCL	V <sub>DD</sub>	V <sub>DD</sub>	1	1	0	0	0	1	1	-	C6h	C7h	63h
SDA	V <sub>SS</sub>	V <sub>SS</sub>	1	1	0	0	1	0	0	-	C8h	C9h	64h
SDA	V <sub>SS</sub>	V <sub>DD</sub>	1	1	0	0	1	0	1	-	CAh	CBh	65h
SDA	V <sub>DD</sub>	V <sub>SS</sub>	1	1	0	0	1	1	0	-	CCh	CDh	66h
SDA	V <sub>DD</sub>	V <sub>DD</sub>	1	1	0	0	1	1	1	-	CEh	CFh	67h
SCL	V <sub>SS</sub>	SCL	1	1	1	0	0	0	0	-	E0h	E1h	70h
SCL	V <sub>SS</sub>	SDA	1	1	1	0	0	0	1	-	E2h	E3h	71h
SCL	V <sub>DD</sub>	SCL	1	1	1	0	0	1	0	-	E4h	E5h	72h
SCL	V <sub>DD</sub>	SDA	1	1	1	0	0	1	1	-	E6h	E7h	73h
SDA	V <sub>SS</sub>	SCL	1	1	1	0	1	0	0	-	E8h	E9h	74h



**Table 4. PCA9674 address map ...continued**

Pin connectivity			Address of PCA9674								Address byte value		7-bit hexadecimal address without R/W
AD2	AD1	AD0	A6	A5	A4	A3	A2	A1	A0	R/W	Write	Read	
SDA	V <sub>SS</sub>	SDA	1	1	1	0	1	0	1	-	EAh	EBh	75h
SDA	V <sub>DD</sub>	SCL	1	1	1	0	1	1	0	-	ECh	EDh	76h
SDA	V <sub>DD</sub>	SDA	1	1	1	0	1	1	1	-	Eeh	EFh	77h

**Table 5. PCA9674A address map**

Pin connectivity			Address of PCA9674A								Address byte value		7-bit hexadecimal address without R/W
AD2	AD1	AD0	A6	A5	A4	A3	A2	A1	A0	R/W	Write	Read	
V <sub>SS</sub>	SCL	V <sub>SS</sub>	0	0	0	1	0	0	0	-	10h	11h	08h
V <sub>SS</sub>	SCL	V <sub>DD</sub>	0	0	0	1	0	0	1	-	12h	13h	09h
V <sub>SS</sub>	SDA	V <sub>SS</sub>	0	0	0	1	0	1	0	-	14h	15h	0Ah
V <sub>SS</sub>	SDA	V <sub>DD</sub>	0	0	0	1	0	1	1	-	16h	17h	0Bh
V <sub>DD</sub>	SCL	V <sub>SS</sub>	0	0	0	1	1	0	0	-	18h	19h	0Ch
V <sub>DD</sub>	SCL	V <sub>DD</sub>	0	0	0	1	1	0	1	-	1Ah	1Bh	0Dh
V <sub>DD</sub>	SDA	V <sub>SS</sub>	0	0	0	1	1	1	0	-	1Ch	1Dh	0Eh
V <sub>DD</sub>	SDA	V <sub>DD</sub>	0	0	0	1	1	1	1	-	1Eh	1Fh	0Fh
V <sub>SS</sub>	SCL	SCL	0	1	1	0	0	0	0	-	60h	61h	30h
V <sub>SS</sub>	SCL	SDA	0	1	1	0	0	0	1	-	62h	63h	31h
V <sub>SS</sub>	SDA	SCL	0	1	1	0	0	1	0	-	64h	65h	32h
V <sub>SS</sub>	SDA	SDA	0	1	1	0	0	1	1	-	66h	67h	33h
V <sub>DD</sub>	SCL	SCL	0	1	1	0	1	0	0	-	68h	69h	34h
V <sub>DD</sub>	SCL	SDA	0	1	1	0	1	0	1	-	6Ah	6Bh	35h
V <sub>DD</sub>	SDA	SCL	0	1	1	0	1	1	0	-	6Ch	6Dh	36h
V <sub>DD</sub>	SDA	SDA	0	1	1	0	1	1	1	-	6Eh	6Fh	37h
V <sub>SS</sub>	V <sub>SS</sub>	V <sub>SS</sub>	0	1	1	1	0	0	0	-	70h	71h	38h
V <sub>SS</sub>	V <sub>SS</sub>	V <sub>DD</sub>	0	1	1	1	0	0	1	-	72h	73h	39h
V <sub>SS</sub>	V <sub>DD</sub>	V <sub>SS</sub>	0	1	1	1	0	1	0	-	74h	75h	3Ah
V <sub>SS</sub>	V <sub>DD</sub>	V <sub>DD</sub>	0	1	1	1	0	1	1	-	76h	77h	3Bh
V <sub>DD</sub>	V <sub>SS</sub>	V <sub>SS</sub>	0	1	1	1	1	0	0	-	78h	79h	3Ch
V <sub>DD</sub>	V <sub>SS</sub>	V <sub>DD</sub>	0	1	1	1	1	0	1	-	7Ah	7Bh	3Dh
V <sub>DD</sub>	V <sub>DD</sub>	V <sub>SS</sub>	0	1	1	1	1	1	0	-	7Ch	7Dh	3Eh
V <sub>DD</sub>	V <sub>DD</sub>	V <sub>DD</sub>	0	1	1	1	1	1	1	-	7Eh	7Fh	3Fh
V <sub>SS</sub>	V <sub>SS</sub>	SCL	1	0	0	0	0	0	0	-	80h	81h	40h
V <sub>SS</sub>	V <sub>SS</sub>	SDA	1	0	0	0	0	0	1	-	82h	83h	41h
V <sub>SS</sub>	V <sub>DD</sub>	SCL	1	0	0	0	0	1	0	-	84h	85h	42h
V <sub>SS</sub>	V <sub>DD</sub>	SDA	1	0	0	0	0	1	1	-	86h	87h	43h
V <sub>DD</sub>	V <sub>SS</sub>	SCL	1	0	0	0	1	0	0	-	88h	89h	44h
V <sub>DD</sub>	V <sub>SS</sub>	SDA	1	0	0	0	1	0	1	-	8Ah	8Bh	45h

Table 5. PCA9674A address map ...continued

Pin connectivity			Address of PCA9674A								Address byte value		7-bit hexadecimal address without R/W
AD2	AD1	AD0	A6	A5	A4	A3	A2	A1	A0	R/W	Write	Read	
V <sub>DD</sub>	V <sub>DD</sub>	SCL	1	0	0	0	1	1	0	-	8Ch	8Dh	46h
V <sub>DD</sub>	V <sub>DD</sub>	SDA	1	0	0	0	1	1	1	-	8Eh	8Fh	47h
SCL	SCL	V <sub>SS</sub>	1	0	0	1	0	0	0	-	90h	91h	48h
SCL	SCL	V <sub>DD</sub>	1	0	0	1	0	0	1	-	92h	93h	49h
SCL	SDA	V <sub>SS</sub>	1	0	0	1	0	1	0	-	94h	95h	4Ah
SCL	SDA	V <sub>DD</sub>	1	0	0	1	0	1	1	-	96h	97h	4Bh
SDA	SCL	V <sub>SS</sub>	1	0	0	1	1	0	0	-	98h	99h	4Ch
SDA	SCL	V <sub>DD</sub>	1	0	0	1	1	0	1	-	9Ah	9Bh	4Dh
SDA	SDA	V <sub>SS</sub>	1	0	0	1	1	1	0	-	9Ch	9Dh	4Eh
SDA	SDA	V <sub>DD</sub>	1	0	0	1	1	1	1	-	9Eh	9Fh	4Fh
SCL	SCL	SCL	1	1	0	1	0	0	0	-	D0h	D1h	68h
SCL	SCL	SDA	1	1	0	1	0	0	1	-	D2h	D3h	69h
SCL	SDA	SCL	1	1	0	1	0	1	0	-	D4h	D5h	6Ah
SCL	SDA	SDA	1	1	0	1	0	1	1	-	D6h	D7h	6Bh
SDA	SCL	SCL	1	1	0	1	1	0	0	-	D8h	D9h	6Ch
SDA	SCL	SDA	1	1	0	1	1	0	1	-	DAh	DBh	6Dh
SDA	SDA	SCL	1	1	0	1	1	1	0	-	DCh	DDh	6Eh
SDA	SDA	SDA	1	1	0	1	1	1	1	-	DEh	DFh	6Fh
SCL	V <sub>SS</sub>	V <sub>SS</sub>	1	1	1	1	0	0	0	-	F0h	F1h	78h
SCL	V <sub>SS</sub>	V <sub>DD</sub>	1	1	1	1	0	0	1	-	F2h	F3h	79h
SCL	V <sub>DD</sub>	V <sub>SS</sub>	1	1	1	1	0	1	0	-	F4h	F5h	7Ah
SCL	V <sub>DD</sub>	V <sub>DD</sub>	1	1	1	1	0	1	1	-	F6h	F7h	7Bh
SDA	V <sub>SS</sub>	V <sub>SS</sub>	1	1	1	1	1	0	0	-	F8h <sup>[1]</sup>	F9h <sup>[1]</sup>	7Ch <sup>[1]</sup>
SDA	V <sub>SS</sub>	V <sub>DD</sub>	1	1	1	1	1	0	1	-	FAh	FBh	7Dh
SDA	V <sub>DD</sub>	V <sub>SS</sub>	1	1	1	1	1	1	0	-	FCh	FDh	7Eh
SDA	V <sub>DD</sub>	V <sub>DD</sub>	1	1	1	1	1	1	1	-	FEh	FFh	7Fh
SCL	V <sub>SS</sub>	SCL	0	0	0	0	0	0	0	-	00h <sup>[1]</sup>	01h <sup>[1]</sup>	00h <sup>[1]</sup>
SCL	V <sub>SS</sub>	SDA	0	0	0	0	0	0	1	-	02h	03h	01h
SCL	V <sub>DD</sub>	SCL	0	0	0	0	0	1	0	-	04h	05h	02h
SCL	V <sub>DD</sub>	SDA	0	0	0	0	0	1	1	-	06h	07h	03h
SDA	V <sub>SS</sub>	SCL	0	0	0	0	1	0	0	-	08h	09h	04h
SDA	V <sub>SS</sub>	SDA	0	0	0	0	1	0	1	-	0Ah	0Bh	05h
SDA	V <sub>DD</sub>	SCL	0	0	0	0	1	1	0	-	0Ch	0Dh	06h
SDA	V <sub>DD</sub>	SDA	0	0	0	0	1	1	1	-	0Eh	0Fh	07h

[1] The PCA9674A does not acknowledge when AD2, AD1, AD0 follows this configuration.

7.2 Software Reset Call, and device ID addresses

Two other different addresses can be sent to the PCA9674; PCA9674A.

- General Call address: allows to reset the PCA9674; PCA9674A through the I<sup>2</sup>C-bus upon reception of the right I<sup>2</sup>C-bus sequence. See [Section 7.2.1 “Software Reset”](#) for more information.
- Device ID address: allows to read ID information from the device (manufacturer, part identification, revision). See [Section 7.2.2 “Device ID \(PCA9674; PCA9674A ID field\)”](#) for more information.

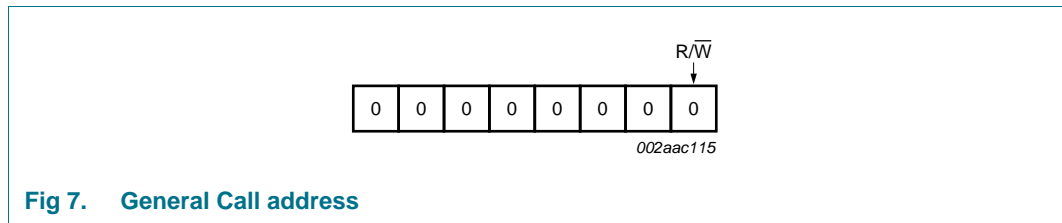


Fig 7. General Call address

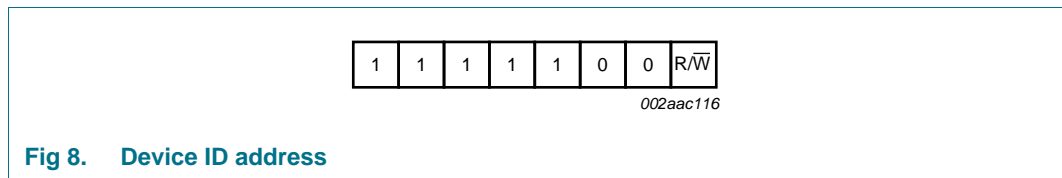


Fig 8. Device ID address

7.2.1 Software Reset

The Software Reset Call allows all the devices in the I<sup>2</sup>C-bus to be reset to the power-up state value through a specific formatted I<sup>2</sup>C-bus command. To be performed correctly, it implies that the I<sup>2</sup>C-bus is functional and that there is no device hanging the bus.

The Software Reset sequence is defined as following:

1. A START command is sent by the I<sup>2</sup>C-bus master.
2. The reserved General Call I<sup>2</sup>C-bus address ‘0000 000’ with the R/W bit set to 0 (write) is sent by the I<sup>2</sup>C-bus master.
3. The PCA9674; PCA9674A device(s) acknowledge(s) after seeing the General Call address ‘0000 0000’ (00h) only. If the R/W bit is set to 1 (read), no acknowledge is returned to the I<sup>2</sup>C-bus master.
4. Once the General Call address has been sent and acknowledged, the master sends 1 byte. The value of the byte must be equal to 06h.
  - a. The PCA9674; PCA9674A acknowledges this value only. If the byte is not equal to 06h, the PCA9674; PCA9674A does not acknowledge it.

If more than 1 byte of data is sent, the PCA9674; PCA9674A does not acknowledge any more.

5. Once the right byte has been sent and correctly acknowledged, the master sends a STOP command to end the Software Reset sequence: the PCA9674; PCA9674A then resets to the default value (power-up value) and is ready to be addressed again within the specified bus free time. If the master sends a Repeated START instead, no reset is performed.

The I<sup>2</sup>C-bus master must interpret a non-acknowledge from the PCA9674; PCA9674A (at any time) as a 'Software Reset Abort'. The PCA9674; PCA9674A does not initiate a reset of its registers.

The unique sequence that initiates a Software Reset is described in [Figure 9](#).

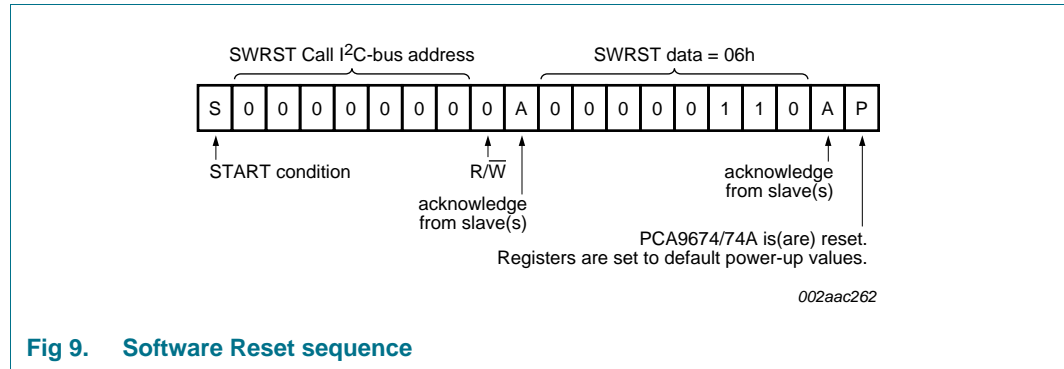


Fig 9. Software Reset sequence

Simple code for Software Reset:

```
<S> <00h> <ACK> <06h> <ACK> <P>
```

### 7.2.2 Device ID (PCA9674; PCA9674A ID field)

The Device ID field is a 3-byte read-only (24 bits) word giving the following information:

- 12 bits with the manufacturer name, unique per manufacturer (for example, NXP).
- 9 bits with the part identification, assigned by manufacturer.
- 3 bits with the die revision, assigned by manufacturer (for example, Rev X).

The Device ID is read-only, hardwired in the device and can be accessed as follows:

1. START command
2. The master sends the Reserved Device ID I<sup>2</sup>C-bus address '1111 100' with the R/W bit set to 0 (write).
3. The master sends the I<sup>2</sup>C-bus slave address of the slave device it needs to identify. The LSB is a 'Don't care' value. Only one device must acknowledge this byte (the one that has the I<sup>2</sup>C-bus slave address).
4. The master sends a Re-START command.
 

**Remark:** A STOP command followed by a START command will reset the slave state machine and the Device ID read cannot be performed.

**Remark:** A STOP command or a Re-START command followed by an access to another slave device will reset the slave state machine and the Device ID read cannot be performed.
5. The master sends the Reserved Device ID I<sup>2</sup>C-bus address '1111 100' with the R/W bit set to 1 (read).
6. The device ID read can be done, starting with the 12 manufacturer bits (first byte + 4 MSB of the second byte), followed by the 9 part identification bits and then the 3 die revision bits (3 LSB of the third byte).
7. The master ends the reading sequence by NACKing the last byte, thus resetting the slave device state machine and allowing the master to send the STOP command.

**Remark:** The reading of the Device ID can be stopped anytime by sending a NACK command.

**Remark:** If the master continues to ACK the bytes after the third byte, the PCA9674; PCA9674A rolls back to the first byte and keeps sending the Device ID sequence until a NACK has been detected.

For the PCA9674; PCA9674A, the Device ID is as shown in [Figure 10](#).

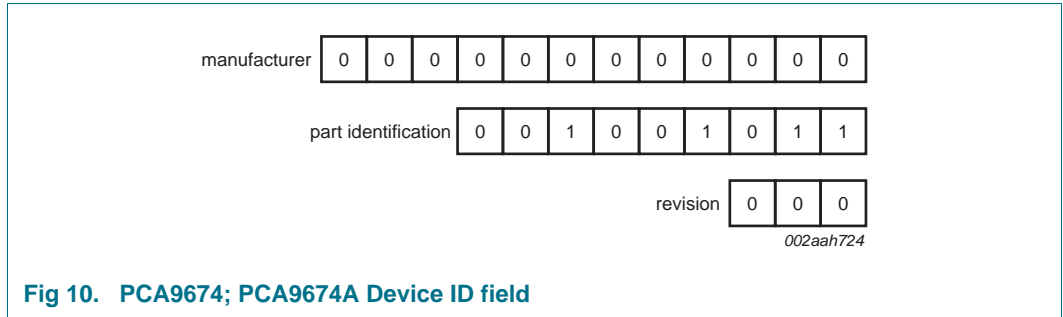
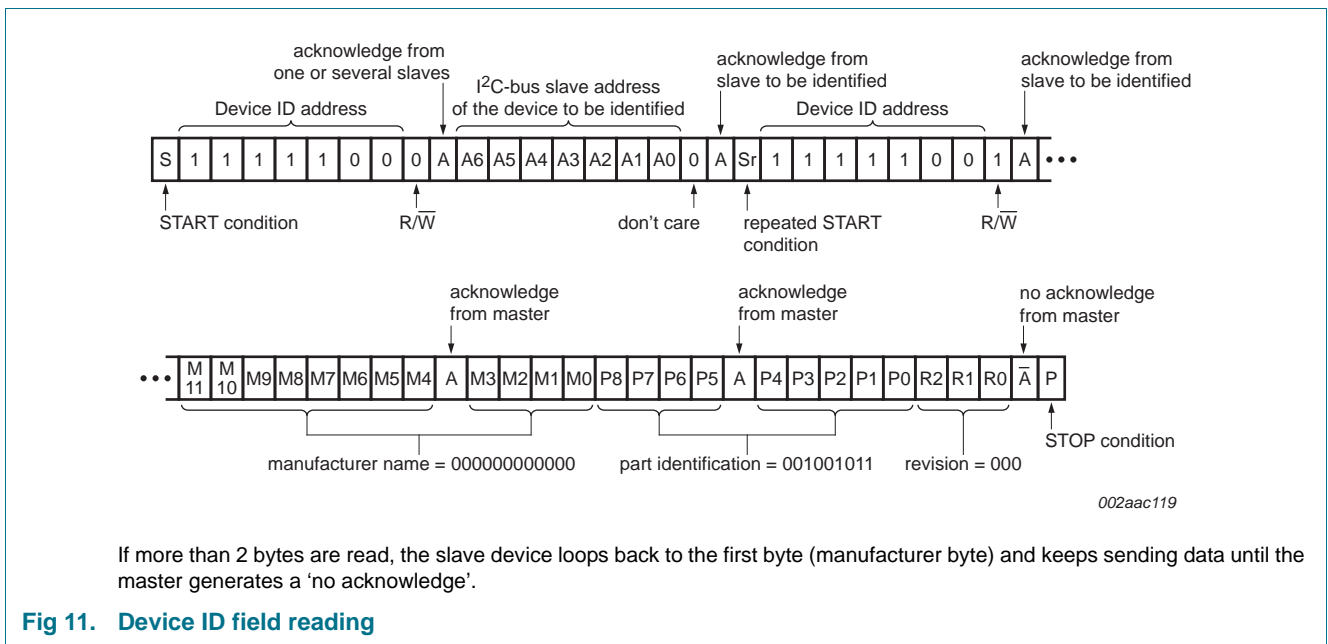


Fig 10. PCA9674; PCA9674A Device ID field



If more than 2 bytes are read, the slave device loops back to the first byte (manufacturer byte) and keeps sending data until the master generates a 'no acknowledge'.

Fig 11. Device ID field reading

Simple code for reading Device ID:

```
<S> <F8h> <ACK> <slave address> <ACK> <SR> <F8h + R> <ACK> <DATA1>
<ACK> <DATA2> <ACK> <DATA3> <NACK> <P>
```

## 8. I/O programming

### 8.1 Quasi-bidirectional I/Os

A quasi-bidirectional I/O is an input or output port without using a direction control register. Whenever the master reads the register, the value returned to master depends on the actual voltage or status of the pin. At power-on, all the ports are HIGH with a weak 100  $\mu$ A internal pull-up to  $V_{DD}$ , but can be driven LOW by an internal transistor, or an external signal. The I/O ports are entirely independent of each other, but each I/O octal is controlled by the same read or write data byte.

Advantages of the quasi-bidirectional I/O over totem pole I/O include:

- Better for driving LEDs since the p-channel (transistor to  $V_{DD}$ ) is small, which saves die size and therefore cost. LED drive only requires an internal transistor to ground, while the LED is connected to  $V_{DD}$  through a current-limiting resistor. Totem pole I/O have both n-channel and p-channel transistors, which allow solid HIGH and LOW output levels without a pull-up resistor — good for logic levels.
- Simpler architecture — only a single register and the I/O can be both input and output at the same time. Totem pole I/O have a direction register that specifies the port pin direction and it is always in that configuration unless the direction is explicitly changed.
- Does not require a command byte. The simplicity of one register (no need for the pointer register or, technically, the command byte) is an advantage in some embedded systems where every byte counts because of memory or bandwidth limitations.

There is only one register to control four possibilities of the port pin: Input HIGH, input LOW, output HIGH, or output LOW.

**Input HIGH:** The master needs to write 1 to the register to set the port as an input mode if the device is not in the default power-on condition. The master reads the register to check the input status. If the external source pulls the port pin up to  $V_{DD}$  or drives logic 1, then the master will read the value of 1.

**Input LOW:** The master needs to write 1 to the register to set the port to input mode if the device is not in the default power-on condition. The master reads the register to check the input status. If the external source pulls the port pin down to  $V_{SS}$  or drives logic 0, which sinks the weak 100  $\mu$ A current source, then the master will read the value of 0.

**Output HIGH:** The master writes 1 to the register. There is an additional 'accelerator' or strong pull-up current when the master sets the port HIGH. The additional strong pull-up is only active during the HIGH time of the acknowledge clock cycle. This accelerator current helps the port's 100  $\mu$ A current source make a faster rising edge into a heavily loaded output, but only at the start of the acknowledge clock cycle to avoid bus contention if an external signal is pulling the port LOW to  $V_{SS}$ /driving the port with logic 0 at the same time. After the half clock cycle there is only the 100  $\mu$ A current source to hold the port HIGH.

**Output LOW:** The master writes 0 to the register. There is a strong current sink transistor that holds the port pin LOW. A large current may flow into the port, which could potentially damage the part if the master writes a 0 to the register and an external source is pulling the port HIGH at the same time.

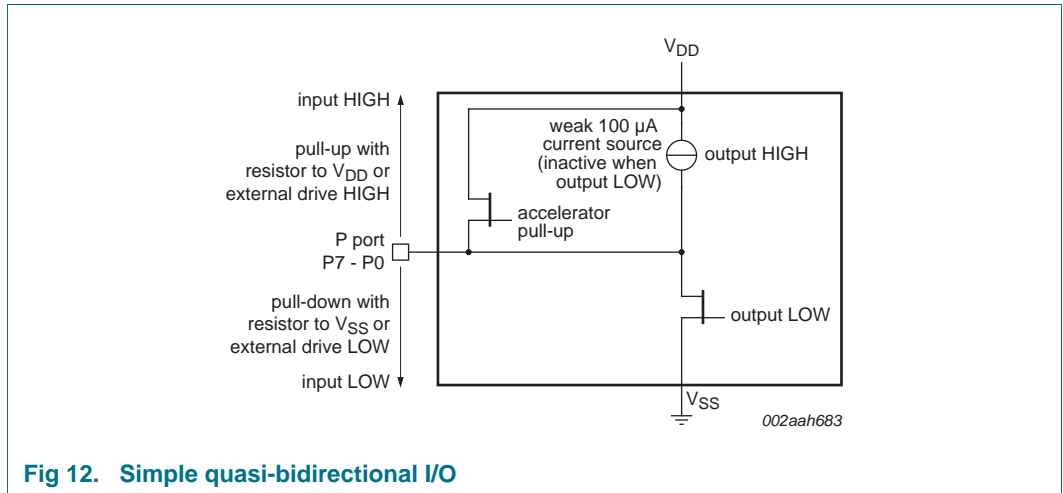


Fig 12. Simple quasi-bidirectional I/O

### 8.2 Writing to the port (Output mode)

The master (microcontroller) sends the START condition and slave address setting the last bit of the address byte to logic 0 for the write mode. The PCA9674/74A acknowledges and the master then sends the data byte for P7 to P0 to the port register. As the clock line goes HIGH, the 8-bit data is presented on the port lines after it has been acknowledged by the PCA9674/74A. If a LOW is written, the strong pull-down turns on and stays on. If a HIGH is written, the strong pull-up turns on for 1/2 of the clock cycle, then the line is held HIGH by the weak current source. The master can then send a STOP or ReSTART condition or continue sending data. The number of data bytes that can be sent successively is not limited and the previous data is overwritten every time a data byte has been sent and acknowledged.

Ensure a logic 1 is written for any port that is being used as an input to ensure the strong external pull-down is turned off.

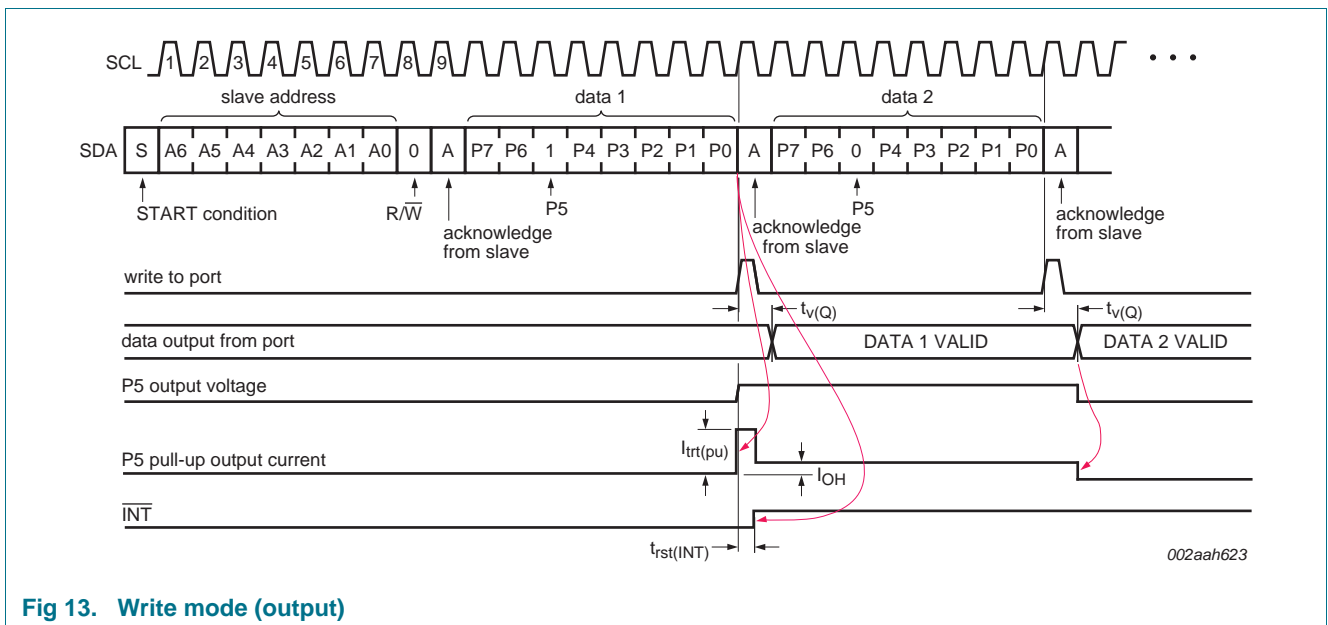


Fig 13. Write mode (output)

Simple code for Write cycle:

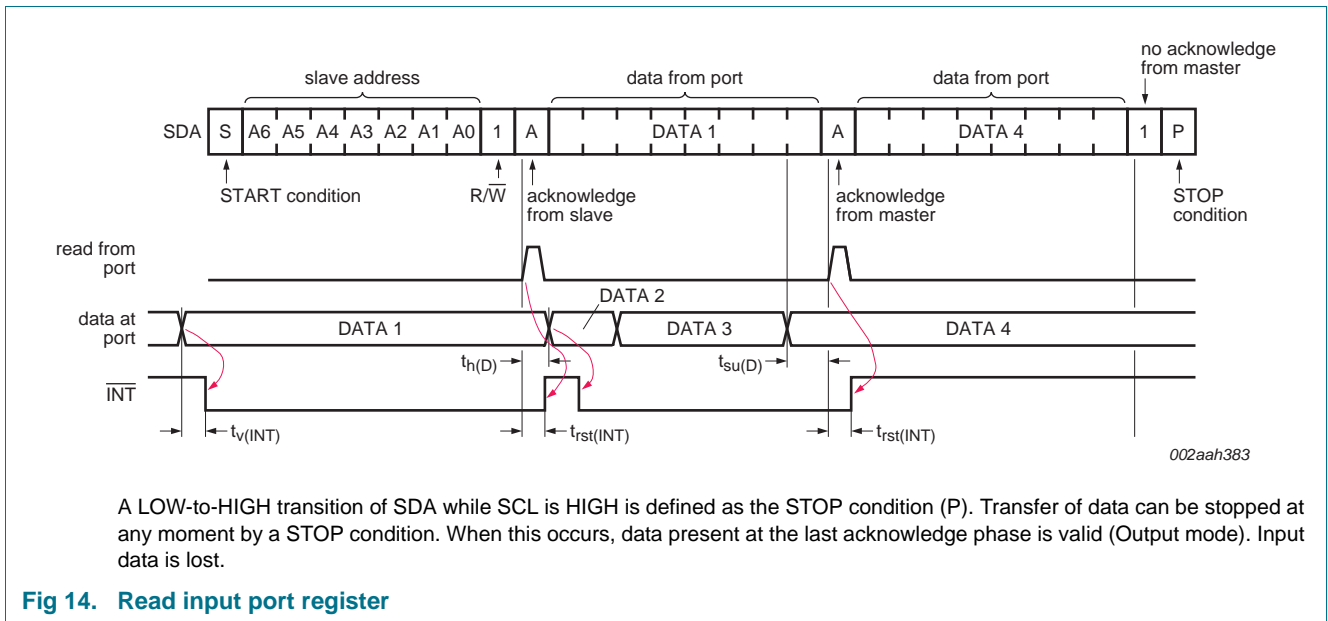
```
<S> <slave address + W> <ACK> <DATA1> <ACK> <DATA2> <ACK> <DATA1> ...
<DATA2> <ACK> <P>
```

### 8.3 Reading from a port (Input mode)

The port must have been previously written to logic 1, which is the condition after power-on reset or software reset. To enter the Read mode the master (microcontroller) addresses the slave device and sets the last bit of the address byte to logic 1 (address byte read). The slave will acknowledge and then send the data byte to the master. The master will NACK and then send the STOP condition or ACK and read the input register again.

The read of any pin being used as an output will indicate HIGH or LOW depending on the actual state of the pin.

If the data on the input port changes faster than the master can read, this data may be lost. The DATA 2 and DATA 3 are lost because these data did not meet the set-up time and hold time (see Figure 14).



A LOW-to-HIGH transition of SDA while SCL is HIGH is defined as the STOP condition (P). Transfer of data can be stopped at any moment by a STOP condition. When this occurs, data present at the last acknowledge phase is valid (Output mode). Input data is lost.

Fig 14. Read input port register

Simple code for Read cycle:

```
<S> <slave address + R> <ACK> <DATA in> <ACK> <DATA in> ... <NACK> <P>
```



**8.4 Power-on reset**

When power is applied to V<sub>DD</sub>, an internal Power-On Reset (POR) holds the PCA9674; PCA9674A in a reset condition until V<sub>DD</sub> has reached V<sub>POR</sub>. At that point, the reset condition is released and the PCA9674; PCA9674A registers and I<sup>2</sup>C-bus/SMBus state machine will initialize to their default states of all I/O inputs with weak current source to V<sub>DD</sub>. Thereafter V<sub>DD</sub> must be lowered below V<sub>POR</sub> and back up to the operation voltage for power-on reset cycle.

**8.5 Interrupt output ( $\overline{\text{INT}}$ )**

The PCA9674/74A provides an open-drain output ( $\overline{\text{INT}}$ ) which can be fed to a corresponding input of the microcontroller (see [Figure 15](#)). As soon as a port input is changed, the  $\overline{\text{INT}}$  will be active (LOW) and notify the microcontroller.

An interrupt is generated at any rising or falling edge of the port inputs. After time t<sub>v(Q)</sub>, the signal  $\overline{\text{INT}}$  is valid.

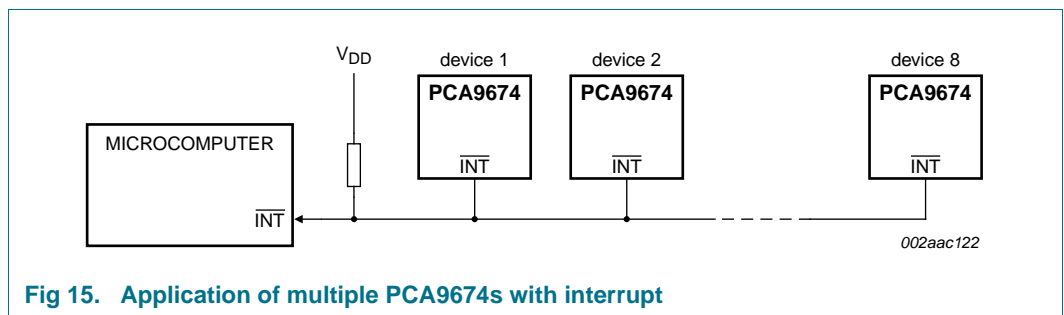
The interrupt will reset to HIGH when data on the port is changed to the original setting or data is read or written by the master.

In the Write mode, the interrupt may become de-activated (HIGH) on the rising edge of the acknowledge bit of the data byte and also on the rising edge of the write to port pulse. The interrupt will always be reset (HIGH) on the falling edge of the write to port pulse (see [Figure 13](#)).

The interrupt is reset (HIGH) in the Read mode on the rising edge of the acknowledge of slave address byte and on the rising edge of the read from port pulse (see [Figure 14](#)).

During the interrupt reset, any I/O change close to the read or write pulse may not generate an interrupt, or the interrupt will have a very short pulse. After the interrupt is reset, any change in I/Os will be detected and transmitted as an  $\overline{\text{INT}}$ .

At power-on reset all ports are in Input mode and the initial state of the ports is HIGH, therefore, for any port pin that is pulled LOW or driven LOW by external source, the interrupt output will be active (output LOW).



**Fig 15. Application of multiple PCA9674s with interrupt**

## 9. Characteristics of the I<sup>2</sup>C-bus

The I<sup>2</sup>C-bus is for 2-way, 2-line communication between different ICs or modules. The two lines are a serial data line (SDA) and a serial clock line (SCL). Both lines must be connected to a positive supply via a pull-up resistor when connected to the output stages of a device. Data transfer may be initiated only when the bus is not busy.

### 9.1 Bit transfer

One data bit is transferred during each clock pulse. The data on the SDA line must remain stable during the HIGH period of the clock pulse as changes in the data line at this time will be interpreted as control signals (see [Figure 16](#)).

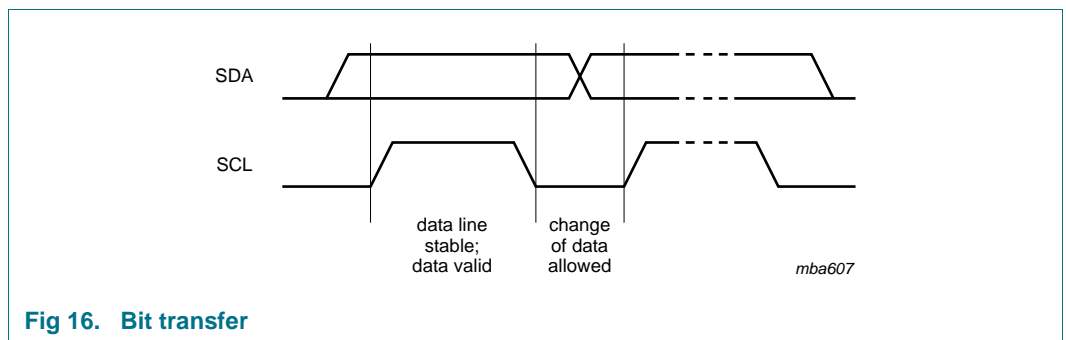


Fig 16. Bit transfer

#### 9.1.1 START and STOP conditions

Both data and clock lines remain HIGH when the bus is not busy. A HIGH-to-LOW transition of the data line while the clock is HIGH is defined as the START condition (S). A LOW-to-HIGH transition of the data line while the clock is HIGH is defined as the STOP condition (P) (see [Figure 17](#)).

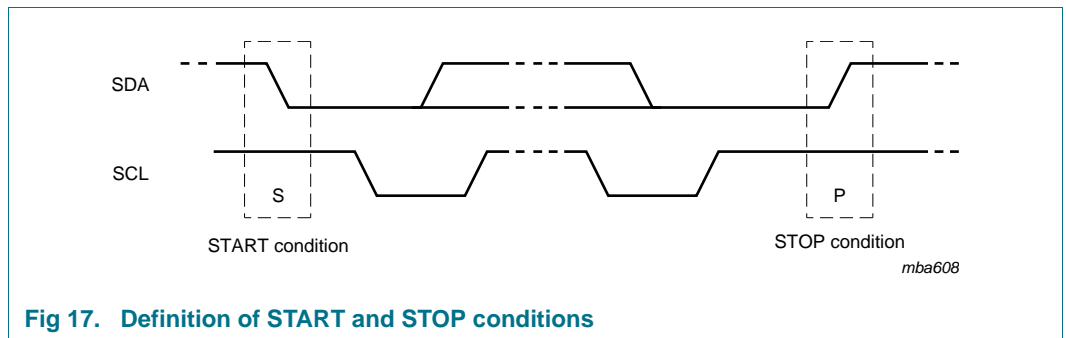


Fig 17. Definition of START and STOP conditions

### 9.2 System configuration

A device generating a message is a 'transmitter'; a device receiving is the 'receiver'. The device that controls the message is the 'master' and the devices which are controlled by the master are the 'slaves' (see [Figure 18](#)).

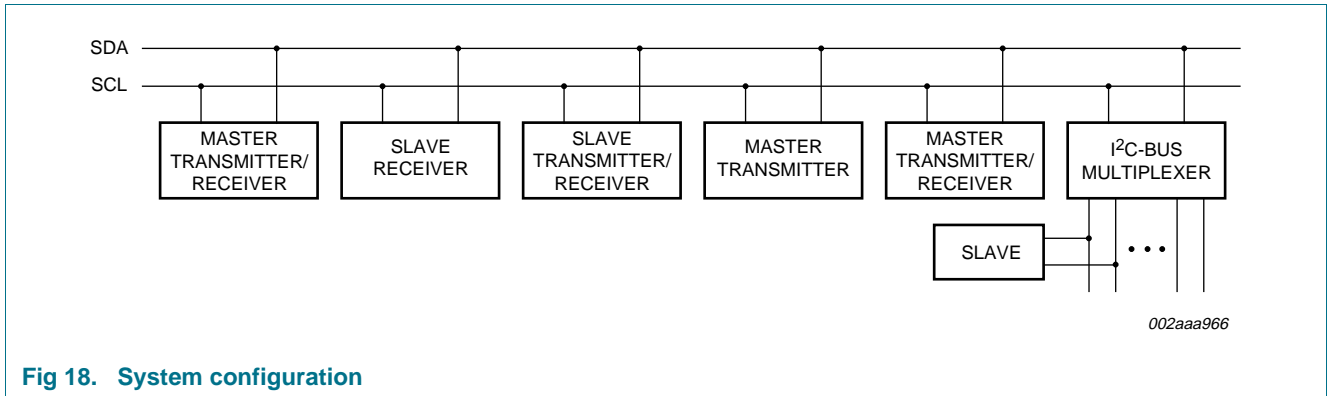


Fig 18. System configuration

### 9.3 Acknowledge

The number of data bytes transferred between the START and the STOP conditions from transmitter to receiver is not limited. Each byte of eight bits is followed by one acknowledge bit (see Figure 19). The acknowledge bit is an active LOW level (generated by the receiving device) that indicates to the transmitter that the data transfer was successful.

A slave receiver which is addressed must generate an acknowledge after the reception of each byte. Also a master must generate an acknowledge after the reception of each byte that has been clocked out of the slave transmitter. The device that wants to issue an acknowledge bit has to pull down the SDA line during the acknowledge clock pulse, so that the SDA line is stable LOW during the HIGH period of the acknowledge bit related clock pulse; set-up and hold times must be taken into account.

A master receiver must signal an end of data to the transmitter by **not** generating an acknowledge on the last byte that has been clocked out of the slave. In this event, the transmitter must leave the data line HIGH to enable the master to generate a STOP condition.

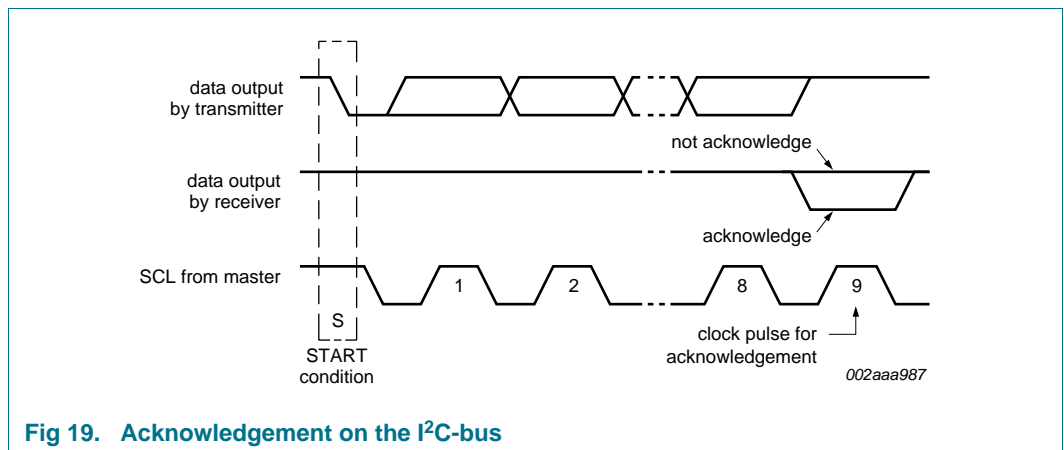


Fig 19. Acknowledgement on the I<sup>2</sup>C-bus

## 10. Application design-in information

### 10.1 Bidirectional I/O expander applications

In the 8-bit I/O expander application shown in [Figure 20](#), P0 and P1 are inputs, and P2 to P7 are outputs. When used in this configuration, during a write, **the input (P0 and P1) must be written as HIGH so the external devices fully control the input ports.** The desired HIGH or LOW logic levels may be written to the ports used as outputs (P2 to P7). If 10 µA internal output HIGH is not enough current source, the port needs external pull-up resistor. During a read, the logic levels of the external devices driving the input ports (P0 and P1) and the previous written logic level to the output ports (P2 to P7) will be read.

The GPIO also has an interrupt line ( $\overline{\text{INT}}$ ) that can be connected to the interrupt logic of the microcontroller. By sending an interrupt signal on this line, the remote I/O informs the microprocessor that there has been a change of data on its ports without having to communicate via the I<sup>2</sup>C-bus.

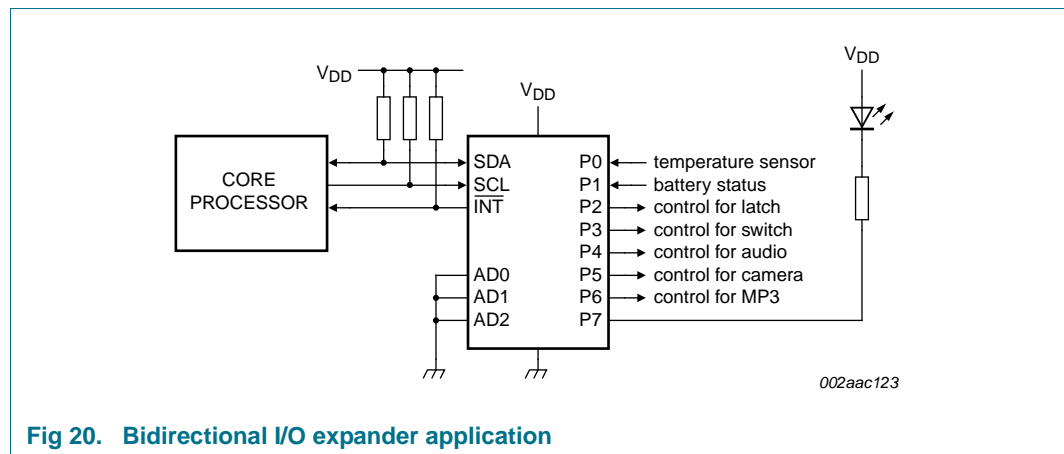


Fig 20. Bidirectional I/O expander application

### 10.2 How to read and write to I/O expander (example)

In the application example of PCA9674 shown in [Figure 20](#), the microcontroller wants to control the P3 switch ON and the P7 LED ON when the temperature sensor P0 changes.

1. When the system powers on:

Core Processor needs to issue an initial command to set P0 and P1 as inputs and P[7:2] as outputs with value 1010 00 (LED off, MP3 off, camera on, audio off, switch off and latch off).

2. Operation:

When the temperature changes above the threshold, the temperature sensor signal will toggle from HIGH to LOW. The  $\overline{\text{INT}}$  will be activated and notifies the 'core processor' that there have been changes on the input pins. Read the input register. If P0 = 0 (temperature sensor has changed), then turn on LED and turn on switch.

3. Software code:

```
//System Power on
// write to PCA9674 with data 1010 0011b to set P[7:2] outputs and P[1:0] inputs
<S> <0100 0000> <ACK> <1010 0011> <ACK> <P> //Initial setting for PCA9674
```

```

while (INT == 1); //Monitor the interrupt pin. If INT = 1 do nothing
//When INT = 0 then read input ports
<S> <slave address read> <ACK> <1010 0010> <NACK> <P> //Read PCA9674 data
If (P0 == 0) //Temperature sensor activated
{
    // write to PCA9674 with data 0010 1011b to turn on LED (P7), on Switch (P3)
    and keep P[1:0] as input ports.
    <S> <0100 0000> <ACK> <0010 1011> <ACK> <P> // Write to PCA9674
}
    
```

### 10.3 High current-drive load applications

The GPIO has a minimum guaranteed sinking current of 25 mA per bit at 5 V. In applications requiring additional drive, two port pins may be connected together to sink up to 50 mA current. Both bits must then always be turned on or off together. Up to 8 pins can be connected together to drive 200 mA, which is the device recommended total limit. Each pin needs its own limiting resistor as shown in [Figure 21](#) to prevent damage to the device should all ports not be turned on at the same time.

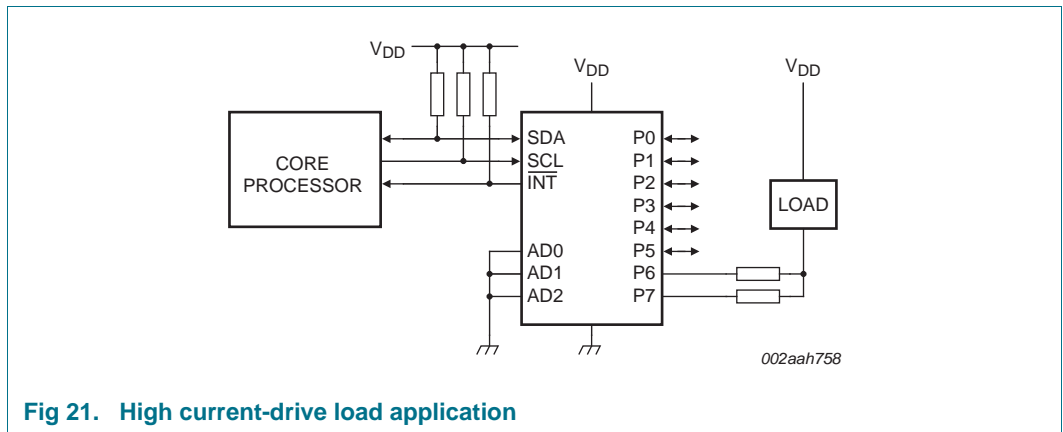


Fig 21. High current-drive load application

### 10.4 Migration path

NXP offers newer, more capable drop-in replacements for the PCF8574/74A in newer space-saving packages.

Table 6. Migration path

Type number	I <sup>2</sup> C-bus frequency	Voltage range	Number of addresses per device	Interrupt	Reset	Total package sink current
PCF8574/74A	100 kHz	2.5 V to 6 V	8	yes	no	80 mA
PCA8574/74A	400 kHz	2.3 V to 5.5 V	8	yes	no	200 mA
PCA9674/74A	1 MHz Fm+	2.3 V to 5.5 V	64	yes	no	200 mA
PCA9670	1 MHz Fm+	2.3 V to 5.5 V	64	no	yes	200 mA
PCA9672	1 MHz Fm+	2.3 V to 5.5 V	16	yes	yes	200 mA

PCA9670 replaces interrupt output of the PCA9674 with hardware reset input to retain the maximum number of addresses. PCA9672 replaces address A2 of the PCA9674 with hardware reset input to retain the interrupt, but limit the number of addresses.

## 11. Limiting values

**Table 7. Limiting values**

*In accordance with the Absolute Maximum Rating System (IEC 60134).*

Symbol	Parameter	Conditions	Min	Max	Unit
V <sub>DD</sub>	supply voltage		-0.5	+6	V
I <sub>DD</sub>	supply current		-	±100	mA
I <sub>SS</sub>	ground supply current		-	±400	mA
V <sub>I</sub>	input voltage		V <sub>SS</sub> - 0.5	5.5	V
I <sub>I</sub>	input current		-	±20	mA
I <sub>O</sub>	output current	[1]	-	±50	mA
P <sub>tot</sub>	total power dissipation		-	400	mW
P/out	power dissipation per output		-	100	mW
T <sub>stg</sub>	storage temperature		-65	+150	°C
T <sub>amb</sub>	ambient temperature	operating	-40	+85	°C
T <sub>j(max)</sub>	maximum junction temperature		-	125	°C

[1] Total package (maximum) output current is 400 mA.

## 12. Thermal characteristics

**Table 8. Thermal characteristics**

Symbol	Parameter	Conditions	Typ	Unit
R <sub>th(j-a)</sub>	thermal resistance from junction to ambient	HVQFN16 package	40	°C/W
		SO16 package	115	°C/W
		TSSOP16 package	160	°C/W

### 13. Static characteristics

**Table 9. Static characteristics**

$V_{DD} = 2.3\text{ V to }5.5\text{ V}$ ;  $V_{SS} = 0\text{ V}$ ;  $T_{amb} = -40\text{ }^{\circ}\text{C to }+85\text{ }^{\circ}\text{C}$ ; unless otherwise specified.

Symbol	Parameter	Conditions	Min	Typ	Max	Unit
<b>Supplies</b>						
$V_{DD}$	supply voltage		2.3	-	5.5	V
$I_{DD}$	supply current	Operating mode; no load; $V_I = V_{DD}$ or $V_{SS}$ ; $f_{SCL} = 1\text{ MHz}$ ; AD0, AD1, AD2 = static H or L	-	200	500	$\mu\text{A}$
$I_{stb}$	standby current	Standby mode; no load; $V_I = V_{DD}$ or $V_{SS}$ ; $f_{SCL} = 0\text{ kHz}$	-	4.5	10	$\mu\text{A}$
$V_{POR}$	power-on reset voltage		[1] -	1.8	2.0	V
<b>Input SCL; input/output SDA</b>						
$V_{IL}$	LOW-level input voltage		-0.5	-	+0.3 $V_{DD}$	V
$V_{IH}$	HIGH-level input voltage		0.7 $V_{DD}$	-	5.5	V
$I_{OL}$	LOW-level output current	$V_{OL} = 0.4\text{ V}$ ; $V_{DD} = 2.3\text{ V}$	20	35	-	$\text{mA}$
		$V_{OL} = 0.4\text{ V}$ ; $V_{DD} = 3.0\text{ V}$	25	44	-	$\text{mA}$
		$V_{OL} = 0.4\text{ V}$ ; $V_{DD} = 4.5\text{ V}$	30	57	-	$\text{mA}$
$I_L$	leakage current	$V_I = V_{DD}$ or $V_{SS}$	-1	-	+1	$\mu\text{A}$
$C_i$	input capacitance	$V_I = V_{SS}$	-	5	10	$\text{pF}$
<b>I/Os; P0 to P7</b>						
$V_{IL}$	LOW-level input voltage		-0.5	-	+0.3 $V_{DD}$	V
$V_{IH}$	HIGH-level input voltage		0.7 $V_{DD}$	-	5.5	V
$I_{OL}$	LOW-level output current	$V_{OL} = 0.5\text{ V}$ ; $V_{DD} = 2.3\text{ V}$	[2] 12	26	-	$\text{mA}$
		$V_{OL} = 0.5\text{ V}$ ; $V_{DD} = 3.0\text{ V}$	[2] 17	33	-	$\text{mA}$
		$V_{OL} = 0.5\text{ V}$ ; $V_{DD} = 4.5\text{ V}$	[2] 25	40	-	$\text{mA}$
$I_{OL(tot)}$	total LOW-level output current	$V_{OL} = 0.5\text{ V}$ ; $V_{DD} = 4.5\text{ V}$	[2] -	-	200	$\text{mA}$
$I_{OH}$	HIGH-level output current	$V_{OH} = V_{SS}$	-30	-138	-300	$\mu\text{A}$
$I_{trt(pu)}$	transient boosted pull-up current	$V_{OH} = V_{SS}$ ; see <a href="#">Figure 13</a>	-0.5	-1.0	-	$\text{mA}$
$C_i$	input capacitance		[3] -	2.1	10	$\text{pF}$
$C_o$	output capacitance		[3] -	2.1	10	$\text{pF}$
<b>Interrupt INT (see <a href="#">Figure 14</a> and <a href="#">Figure 13</a>)</b>						
$I_{OL}$	LOW-level output current	$V_{OL} = 0.4\text{ V}$	3.0	-	-	$\text{mA}$
$C_o$	output capacitance		-	3	5	$\text{pF}$
<b>Inputs AD0, AD1, AD2</b>						
$V_{IL}$	LOW-level input voltage		-0.5	-	+0.3 $V_{DD}$	V
$V_{IH}$	HIGH-level input voltage		0.7 $V_{DD}$	-	5.5	V
$I_{LI}$	input leakage current		-1	-	+1	$\mu\text{A}$
$C_i$	input capacitance		-	3.5	5	$\text{pF}$

[1] The power-on reset circuit resets the I<sup>2</sup>C-bus logic with  $V_{DD} < V_{POR}$  and sets all I/Os to logic 1 (with current source to  $V_{DD}$ ).

[2] Each bit must be limited to a maximum of 25 mA and the total package limited to 200 mA due to internal busing limits.

[3] The value is verified by characterization.

## 14. Dynamic characteristics

**Table 10. Dynamic characteristics**
 $V_{DD} = 2.3\text{ V to }5.5\text{ V}; V_{SS} = 0\text{ V}; T_{amb} = -40\text{ }^{\circ}\text{C to }+85\text{ }^{\circ}\text{C};$  unless otherwise specified.

Symbol	Parameter	Conditions	Standard mode I <sup>2</sup> C-bus		Fast mode I <sup>2</sup> C-bus		Fast-mode Plus I <sup>2</sup> C-bus		Unit
			Min	Max	Min	Max	Min	Max	
f <sub>SCL</sub>	SCL clock frequency		0	100	0	400	0	1000	kHz
t <sub>BUF</sub>	bus free time between a STOP and START condition		4.7	-	1.3	-	0.5	-	μs
t <sub>HD;STA</sub>	hold time (repeated) START condition		4.0	-	0.6	-	0.26	-	μs
t <sub>SU;STA</sub>	set-up time for a repeated START condition		4.7	-	0.6	-	0.26	-	μs
t <sub>SU;STO</sub>	set-up time for STOP condition		4.0	-	0.6	-	0.26	-	μs
t <sub>HD;DAT</sub>	data hold time		0	-	0	-	0	-	ns
t <sub>VD;ACK</sub>	data valid acknowledge time	[1]	0.3	3.45	0.1	0.9	0.05	0.45	μs
t <sub>VD;DAT</sub>	data valid time	[2]	300	-	50	-	50	450	ns
t <sub>SU;DAT</sub>	data set-up time		250	-	100	-	50	-	ns
t <sub>LOW</sub>	LOW period of the SCL clock		4.7	-	1.3	-	0.5	-	μs
t <sub>HIGH</sub>	HIGH period of the SCL clock		4.0	-	0.6	-	0.26	-	μs
t <sub>f</sub>	fall time of both SDA and SCL signals	[4][5]	-	300	20 + 0.1C <sub>b</sub> [3]	300	-	120	ns
t <sub>r</sub>	rise time of both SDA and SCL signals		-	1000	20 + 0.1C <sub>b</sub> [3]	300	-	120	ns
t <sub>SP</sub>	pulse width of spikes that must be suppressed by the input filter	[6]	-	50	-	50	-	50	ns

**Port timing; C<sub>L</sub> ≤ 100 pF (see Figure 13 and Figure 14)**

t <sub>v(Q)</sub>	data output valid time		-	4	-	4	-	4	μs
t <sub>su(D)</sub>	data input set-up time		0	-	0	-	0	-	μs
t <sub>h(D)</sub>	data input hold time		4	-	4	-	4	-	μs

**Interrupt timing; C<sub>L</sub> ≤ 100 pF (see Figure 13 and Figure 14)**

t <sub>v(INT)</sub>	valid time on pin $\overline{\text{INT}}$	from $\overline{\text{port}}$ to $\overline{\text{INT}}$	-	4	-	4	-	4	μs
t <sub>rst(INT)</sub>	reset time on pin $\overline{\text{INT}}$	from SCL to $\overline{\text{INT}}$	-	4	-	4	-	4	μs

[1] t<sub>VD;ACK</sub> = time for Acknowledgement signal from SCL LOW to SDA (out) LOW.

[2] t<sub>VD;DAT</sub> = minimum time for SDA data out to be valid following SCL LOW.

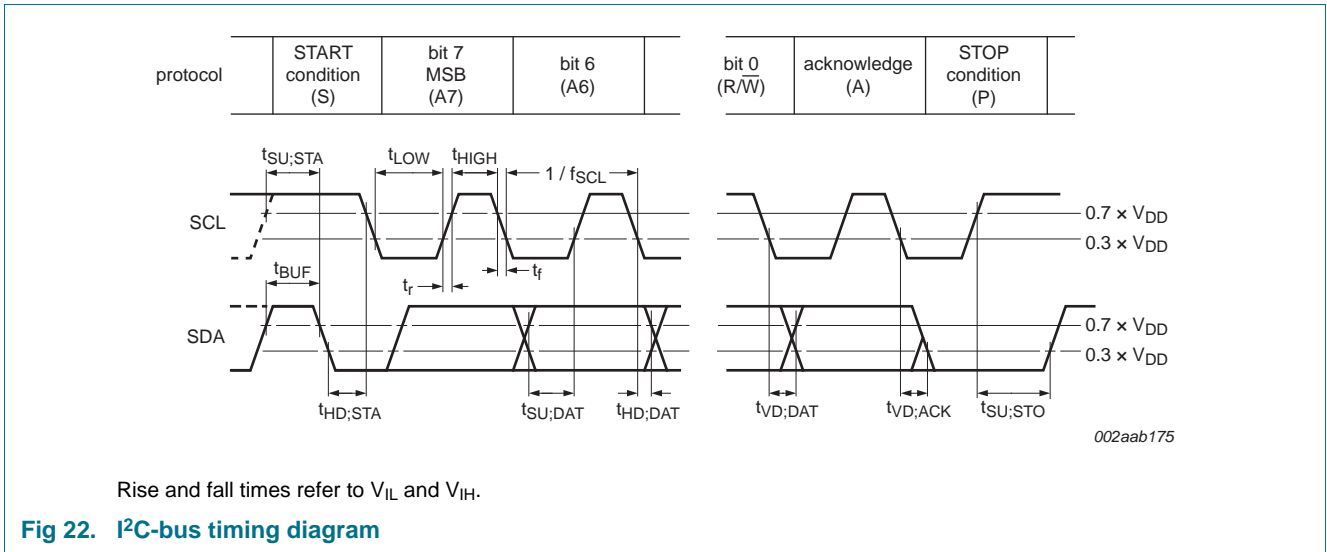
[3] C<sub>b</sub> = total capacitance of one bus line in pF.

[4] A master device must internally provide a hold time of at least 300 ns for the SDA signal (refer to the V<sub>IL</sub> of the SCL signal) in order to bridge the undefined region SCL's falling edge.

[5] The maximum t<sub>f</sub> for the SDA and SCL bus lines is specified at 300 ns. The maximum fall time for the SDA output stage t<sub>f</sub> is specified at 250 ns. This allows series protection resistors to be connected between the SDA and the SCL pins and the SDA/SCL bus lines without exceeding the maximum specified t<sub>f</sub>.

[6] Input filters on the SDA and SCL inputs suppress noise spikes less than 50 ns.





15. Package outline

HVQFN16: plastic thermal enhanced very thin quad flat package; no leads; 16 terminals; body 3 x 3 x 0.85 mm

SOT758-1



Fig 23. Package outline SOT758-1 (HVQFN16)

SO16: plastic small outline package; 16 leads; body width 7.5 mm

SOT162-1

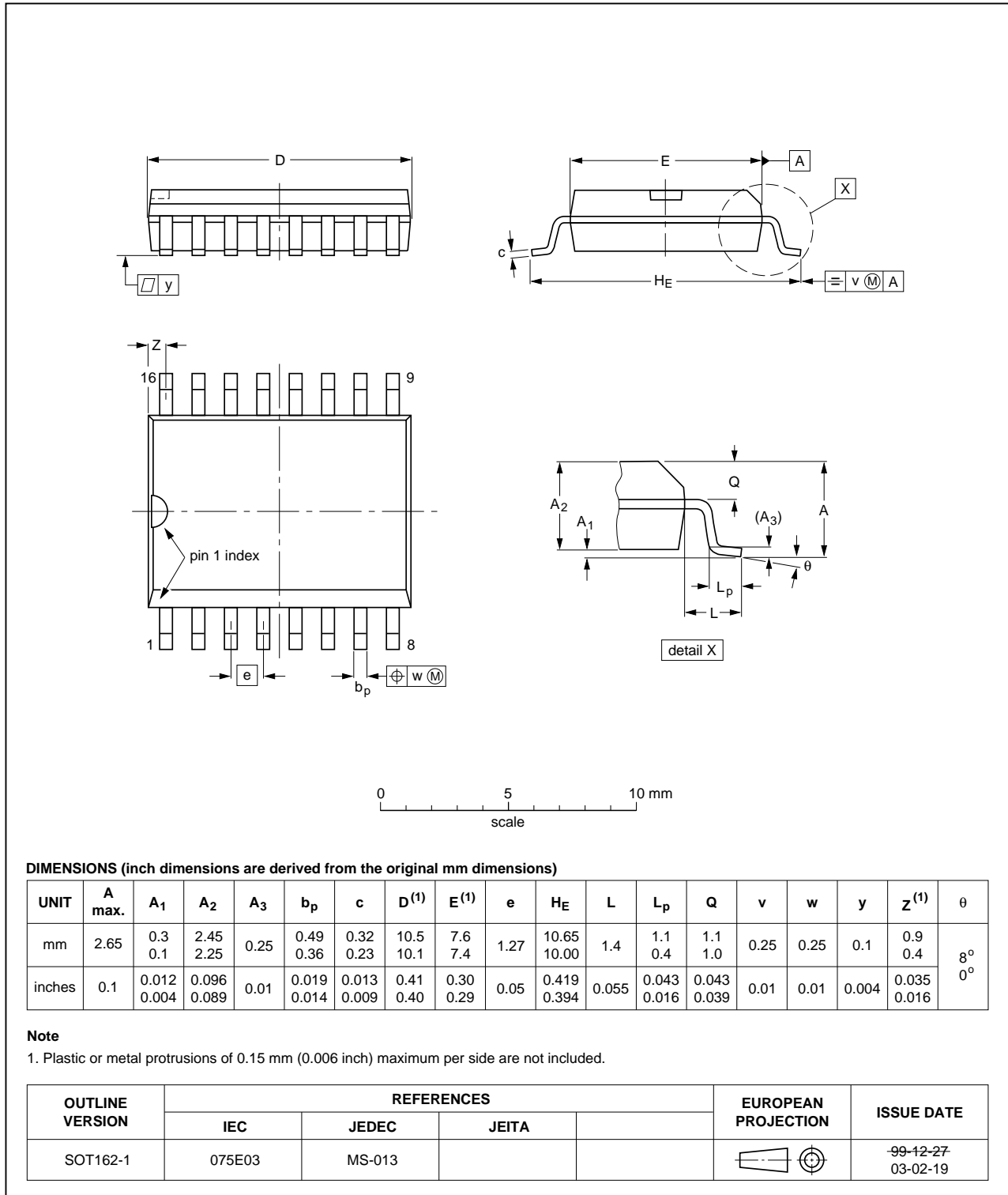


Fig 24. Package outline SOT162-1 (SO16)

TSSOP16: plastic thin shrink small outline package; 16 leads; body width 4.4 mm

SOT403-1



Fig 25. Package outline SOT403-1 (TSSOP16)

## 16. Handling information

All input and output pins are protected against ElectroStatic Discharge (ESD) under normal handling. When handling ensure that the appropriate precautions are taken as described in *JESD625-A* or equivalent standards.

## 17. Soldering of SMD packages

This text provides a very brief insight into a complex technology. A more in-depth account of soldering ICs can be found in Application Note *AN10365 "Surface mount reflow soldering description"*.

### 17.1 Introduction to soldering

Soldering is one of the most common methods through which packages are attached to Printed Circuit Boards (PCBs), to form electrical circuits. The soldered joint provides both the mechanical and the electrical connection. There is no single soldering method that is ideal for all IC packages. Wave soldering is often preferred when through-hole and Surface Mount Devices (SMDs) are mixed on one printed wiring board; however, it is not suitable for fine pitch SMDs. Reflow soldering is ideal for the small pitches and high densities that come with increased miniaturization.

### 17.2 Wave and reflow soldering

Wave soldering is a joining technology in which the joints are made by solder coming from a standing wave of liquid solder. The wave soldering process is suitable for the following:

- Through-hole components
- Leaded or leadless SMDs, which are glued to the surface of the printed circuit board

Not all SMDs can be wave soldered. Packages with solder balls, and some leadless packages which have solder lands underneath the body, cannot be wave soldered. Also, leaded SMDs with leads having a pitch smaller than ~0.6 mm cannot be wave soldered, due to an increased probability of bridging.

The reflow soldering process involves applying solder paste to a board, followed by component placement and exposure to a temperature profile. Leaded packages, packages with solder balls, and leadless packages are all reflow solderable.

Key characteristics in both wave and reflow soldering are:

- Board specifications, including the board finish, solder masks and vias
- Package footprints, including solder thieves and orientation
- The moisture sensitivity level of the packages
- Package placement
- Inspection and repair
- Lead-free soldering versus SnPb soldering

### 17.3 Wave soldering

Key characteristics in wave soldering are:

- Process issues, such as application of adhesive and flux, clinching of leads, board transport, the solder wave parameters, and the time during which components are exposed to the wave
- Solder bath specifications, including temperature and impurities

### 17.4 Reflow soldering

Key characteristics in reflow soldering are:

- Lead-free versus SnPb soldering; note that a lead-free reflow process usually leads to higher minimum peak temperatures (see [Figure 26](#)) than a SnPb process, thus reducing the process window
- Solder paste printing issues including smearing, release, and adjusting the process window for a mix of large and small components on one board
- Reflow temperature profile; this profile includes preheat, reflow (in which the board is heated to the peak temperature) and cooling down. It is imperative that the peak temperature is high enough for the solder to make reliable solder joints (a solder paste characteristic). In addition, the peak temperature must be low enough that the packages and/or boards are not damaged. The peak temperature of the package depends on package thickness and volume and is classified in accordance with [Table 11](#) and [12](#)

**Table 11. SnPb eutectic process (from J-STD-020D)**

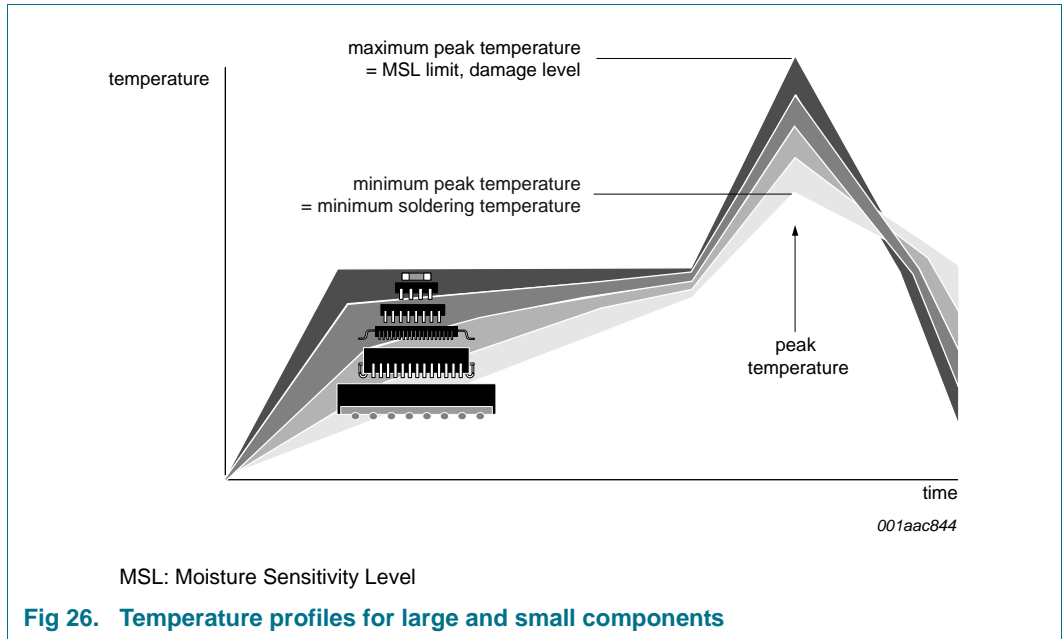
Package thickness (mm)	Package reflow temperature (°C)	
	Volume (mm <sup>3</sup> )	
	< 350	≥ 350
< 2.5	235	220
≥ 2.5	220	220

**Table 12. Lead-free process (from J-STD-020D)**

Package thickness (mm)	Package reflow temperature (°C)		
	Volume (mm <sup>3</sup> )		
	< 350	350 to 2000	> 2000
< 1.6	260	260	260
1.6 to 2.5	260	250	245
> 2.5	250	245	245

Moisture sensitivity precautions, as indicated on the packing, must be respected at all times.

Studies have shown that small packages reach higher temperatures during reflow soldering, see [Figure 26](#).



For further information on temperature profiles, refer to Application Note AN10365 “Surface mount reflow soldering description”.

18. Soldering: PCB footprints

Footprint information for reflow soldering of HVQFN16 package

SOT758-1

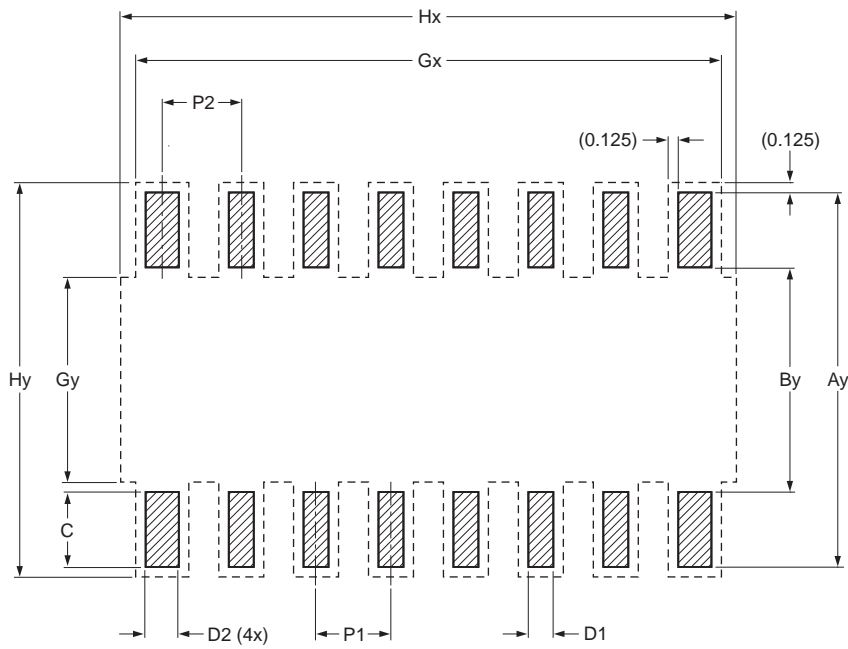


Fig 27. PCB footprint for SOT758-1 (HVQFN16); reflow soldering



Footprint information for reflow soldering of SO16 package

SOT162-1



Generic footprint pattern  
Refer to the package outline drawing for actual layout

 solder land  
- - - - occupied area

DIMENSIONS in mm

P1	P2	Ay	By	C	D1	D2	Gx	Gy	Hx	Hy
1.270	1.320	11.200	6.400	2.400	0.700	0.800	10.040	8.600	11.900	11.450

sot162-1\_fr

Fig 28. PCB footprint for SOT162-1 (SO16); reflow soldering

Footprint information for reflow soldering of TSSOP16 package

SOT403-1



Fig 29. PCB footprint for SOT403-1 (TSSOP16); reflow soldering

## 19. Abbreviations

**Table 13. Abbreviations**

Acronym	Description
CDM	Charged-Device Model
ESD	ElectroStatic Discharge
GPIO	General Purpose Input/Output
HBM	Human Body Model
LED	Light Emitting Diode
IC	Integrated Circuit
I <sup>2</sup> C-bus	Inter-Integrated Circuit bus
ID	Identification
LSB	Least Significant Bit
MSB	Most Significant Bit
PLC	Programmable Logic Controller
PWM	Pulse Width Modulation
SMBus	System Management Bus

## 20. Revision history

**Table 14. Revision history**

Document ID	Release date	Data sheet status	Change notice	Supersedes
PCA9674_PCA9674A v.7	20130530	Product data sheet	-	PCA9674_PCA9674A v.6

Modifications:

- [Section 1 “General description”](#) is re-written
- [Section 2 “Features and benefits”](#) is re-written
- [Table 1 “Ordering information”](#): Topside mark for PCA9674APW is corrected from “PA9674A” to “9674A”
- Added [Section 4.1 “Ordering options”](#)
- [Figure 1 “Block diagram of PCA9674; PCA9674A”](#) modified: swapped positions of blocks “INTERRUPT LOGIC” and “LP FILTER”
- [Figure 2 “Simplified schematic diagram of P0 to P7”](#) modified: deleted diode between V<sub>DD</sub> and (P0 to P7) signals
- Combined (old) Table 3, “Pin description for SO16, TSSOP16” and Table 4, “Pin description for HVQFN16” into one table: [Table 3 “Pin description”](#)
- [Section 7.1 “Device address”](#):
  - first paragraph is re-written
  - last paragraph: inserted phrase “or the newer PCA8574 or PCA8574A”
- [Section 7.1.1 “Address maps”](#): added (new) first paragraph
- [Table 4 “PCA9674 address map”](#) modified: added separate columns for Read and Write addresses and column for 7-bit hexadecimal address
- [Table 5 “PCA9674A address map”](#) modified: added separate columns for Read and Write addresses and column for 7-bit hexadecimal address
- [Section 7.2.1 “Software Reset”](#): added paragraph following [Figure 9](#)

Table 14. Revision history ...continued

Document ID	Release date	Data sheet status	Change notice	Supersedes
Modifications: (continued)				
				<ul style="list-style-type: none"> <li>• <a href="#">Section 7.2.2 “Device ID (PCA9674; PCA9674A ID field)”</a>: <ul style="list-style-type: none"> <li>– first bullet item following first paragraph changed from “8 bits with the manufacturer name” to “12 bits with the manufacturer name”</li> <li>– second bullet item re-written</li> <li>– <a href="#">List item 6. on page 12</a> changed from “8 manufacturer bits ..., followed by the 13 part identification bits” to “12 manufacturer bits ..., followed by the 9 part identification bits”</li> <li>– <a href="#">Figure 10 “PCA9674; PCA9674A Device ID field”</a> updated</li> <li>– <a href="#">Figure 11</a> modified: added Sr (ReSTART) bit</li> <li>– added paragraph following <a href="#">Figure 11</a></li> </ul> </li> <li>• <a href="#">Section 8.1 “Quasi-bidirectional I/Os”</a> is re-written</li> <li>• <a href="#">Section 8.2 “Writing to the port (Output mode)”</a>: <ul style="list-style-type: none"> <li>– first and second paragraphs are re-written</li> <li>– <a href="#">Figure 13</a> updated</li> <li>– added paragraph following <a href="#">Figure 13</a></li> </ul> </li> <li>• <a href="#">Section 8.3 “Reading from a port (Input mode)”</a>: <ul style="list-style-type: none"> <li>– first and second paragraphs replaced with new first, second and third paragraphs</li> <li>– <a href="#">Figure 14</a> updated</li> <li>– added paragraph following <a href="#">Figure 14</a></li> </ul> </li> <li>• <a href="#">Section 8.4 “Power-on reset”</a>: second and third sentences re-written</li> <li>• <a href="#">Section 8.5 “Interrupt output (INT)”</a> is re-written</li> <li>• <a href="#">Section 9.3 “Acknowledge”</a>, first paragraph: third sentence re-written</li> <li>• <a href="#">Section 10.1 “Bidirectional I/O expander applications”</a>: <ul style="list-style-type: none"> <li>– first paragraph, third sentence changed from “written to the I/Os used as outputs” to “written to the ports used as outputs”</li> <li>– second paragraph, second sentence changed from “the remote I/O informs the microprocessor that there is incoming data or a change of data on its ports” to “the remote I/O informs the microprocessor that there has been a change of data on its ports”</li> </ul> </li> <li>• Added <a href="#">Section 10.2 “How to read and write to I/O expander (example)”</a></li> <li>• <a href="#">Section 10.3 “High current-drive load applications”</a>: <ul style="list-style-type: none"> <li>– first paragraph, first sentence changed from “maximum sinking current of 25 mA per bit” to “minimum guaranteed sinking current of 25 mA per bit at 5 V”</li> <li>– first paragraph, second sentence: deleted phrase “in the same octal”</li> <li>– first paragraph, fourth sentence changed from “which is the device limit” to “which is the device recommended total limit”</li> <li>– first paragraph: added (new) fifth sentence</li> <li>– <a href="#">Figure 21 “High current-drive load application”</a> modified: added resistors on P6 and P7</li> </ul> </li> <li>• Added <a href="#">Section 10.4 “Migration path”</a></li> <li>• <a href="#">Table 7 “Limiting values”</a>: added T<sub>j(max)</sub> limits</li> <li>• Added <a href="#">Section 12 “Thermal characteristics”</a></li> <li>• <a href="#">Table 9 “Static characteristics”</a>, sub-section “I/Os; P0 to P7”: <ul style="list-style-type: none"> <li>– added V<sub>IL</sub> characteristic</li> <li>– added V<sub>IH</sub> characteristic</li> <li>– <a href="#">Table note [1]</a> re-written</li> </ul> </li> </ul>

**Table 14. Revision history** ...continued

Document ID	Release date	Data sheet status	Change notice	Supersedes
Modifications: (continued)	<ul style="list-style-type: none"> <li>• <a href="#">Table 10 “Dynamic characteristics”</a>, sub-section “Interrupt timing”:                             <ul style="list-style-type: none"> <li>– symbol/parameter corrected from “<math>t_{v(D)}</math>, data input valid time” to “<math>t_{v(INT)}</math>, valid time on pin <math>\overline{INT}</math>”</li> <li>– symbol/parameter corrected from “<math>t_{d(rst)}</math>, reset delay time” to “<math>t_{rst(INT)}</math>, reset time on pin <math>\overline{INT}</math>”</li> </ul> </li> <li>• Added <a href="#">Section 18 “Soldering: PCB footprints”</a></li> </ul>			
PCA9674_PCA9674A v.6	20110929	Product data sheet	-	PCA9674_PCA9674A v.5
PCA9674_PCA9674A v.5	20090615	Product data sheet	-	PCA9674_PCA9674A v.4
PCA9674_PCA9674A v.4	20090303	Product data sheet	-	PCA9674_PCA9674A v.3
PCA9674_PCA9674A v.3	20070907	Product data sheet	-	PCA9674_PCA9674A v.2
PCA9674_PCA9674A v.2	20061012	Product data sheet	-	PCA9674_PCA9674A v.1
PCA9674_PCA9674A v.1	20060905	Objective data sheet	-	-

## 21. Legal information

### 21.1 Data sheet status

Document status <sup>[1][2]</sup>	Product status <sup>[3]</sup>	Definition
Objective [short] data sheet	Development	This document contains data from the objective specification for product development.
Preliminary [short] data sheet	Qualification	This document contains data from the preliminary specification.
Product [short] data sheet	Production	This document contains the product specification.

[1] Please consult the most recently issued document before initiating or completing a design.

[2] The term 'short data sheet' is explained in section "Definitions".

[3] The product status of device(s) described in this document may have changed since this document was published and may differ in case of multiple devices. The latest product status information is available on the Internet at URL <http://www.nxp.com>.

### 21.2 Definitions

**Draft** — The document is a draft version only. The content is still under internal review and subject to formal approval, which may result in modifications or additions. NXP Semiconductors does not give any representations or warranties as to the accuracy or completeness of information included herein and shall have no liability for the consequences of use of such information.

**Short data sheet** — A short data sheet is an extract from a full data sheet with the same product type number(s) and title. A short data sheet is intended for quick reference only and should not be relied upon to contain detailed and full information. For detailed and full information see the relevant full data sheet, which is available on request via the local NXP Semiconductors sales office. In case of any inconsistency or conflict with the short data sheet, the full data sheet shall prevail.

**Product specification** — The information and data provided in a Product data sheet shall define the specification of the product as agreed between NXP Semiconductors and its customer, unless NXP Semiconductors and customer have explicitly agreed otherwise in writing. In no event however, shall an agreement be valid in which the NXP Semiconductors product is deemed to offer functions and qualities beyond those described in the Product data sheet.

### 21.3 Disclaimers

**Limited warranty and liability** — Information in this document is believed to be accurate and reliable. However, NXP Semiconductors does not give any representations or warranties, expressed or implied, as to the accuracy or completeness of such information and shall have no liability for the consequences of use of such information. NXP Semiconductors takes no responsibility for the content in this document if provided by an information source outside of NXP Semiconductors.

In no event shall NXP Semiconductors be liable for any indirect, incidental, punitive, special or consequential damages (including - without limitation - lost profits, lost savings, business interruption, costs related to the removal or replacement of any products or rework charges) whether or not such damages are based on tort (including negligence), warranty, breach of contract or any other legal theory.

Notwithstanding any damages that customer might incur for any reason whatsoever, NXP Semiconductors' aggregate and cumulative liability towards customer for the products described herein shall be limited in accordance with the *Terms and conditions of commercial sale* of NXP Semiconductors.

**Right to make changes** — NXP Semiconductors reserves the right to make changes to information published in this document, including without limitation specifications and product descriptions, at any time and without notice. This document supersedes and replaces all information supplied prior to the publication hereof.

**Suitability for use** — NXP Semiconductors products are not designed, authorized or warranted to be suitable for use in life support, life-critical or safety-critical systems or equipment, nor in applications where failure or malfunction of an NXP Semiconductors product can reasonably be expected to result in personal injury, death or severe property or environmental damage. NXP Semiconductors and its suppliers accept no liability for inclusion and/or use of NXP Semiconductors products in such equipment or applications and therefore such inclusion and/or use is at the customer's own risk.

**Applications** — Applications that are described herein for any of these products are for illustrative purposes only. NXP Semiconductors makes no representation or warranty that such applications will be suitable for the specified use without further testing or modification.

Customers are responsible for the design and operation of their applications and products using NXP Semiconductors products, and NXP Semiconductors accepts no liability for any assistance with applications or customer product design. It is customer's sole responsibility to determine whether the NXP Semiconductors product is suitable and fit for the customer's applications and products planned, as well as for the planned application and use of customer's third party customer(s). Customers should provide appropriate design and operating safeguards to minimize the risks associated with their applications and products.

NXP Semiconductors does not accept any liability related to any default, damage, costs or problem which is based on any weakness or default in the customer's applications or products, or the application or use by customer's third party customer(s). Customer is responsible for doing all necessary testing for the customer's applications and products using NXP Semiconductors products in order to avoid a default of the applications and the products or of the application or use by customer's third party customer(s). NXP does not accept any liability in this respect.

**Limiting values** — Stress above one or more limiting values (as defined in the Absolute Maximum Ratings System of IEC 60134) will cause permanent damage to the device. Limiting values are stress ratings only and (proper) operation of the device at these or any other conditions above those given in the Recommended operating conditions section (if present) or the Characteristics sections of this document is not warranted. Constant or repeated exposure to limiting values will permanently and irreversibly affect the quality and reliability of the device.

**Terms and conditions of commercial sale** — NXP Semiconductors products are sold subject to the general terms and conditions of commercial sale, as published at <http://www.nxp.com/profile/terms>, unless otherwise agreed in a valid written individual agreement. In case an individual agreement is concluded only the terms and conditions of the respective agreement shall apply. NXP Semiconductors hereby expressly objects to applying the customer's general terms and conditions with regard to the purchase of NXP Semiconductors products by customer.

**No offer to sell or license** — Nothing in this document may be interpreted or construed as an offer to sell products that is open for acceptance or the grant, conveyance or implication of any license under any copyrights, patents or other industrial or intellectual property rights.

**Export control** — This document as well as the item(s) described herein may be subject to export control regulations. Export might require a prior authorization from competent authorities.

**Non-automotive qualified products** — Unless this data sheet expressly states that this specific NXP Semiconductors product is automotive qualified, the product is not suitable for automotive use. It is neither qualified nor tested in accordance with automotive testing or application requirements. NXP Semiconductors accepts no liability for inclusion and/or use of non-automotive qualified products in automotive equipment or applications.

In the event that customer uses the product for design-in and use in automotive applications to automotive specifications and standards, customer (a) shall use the product without NXP Semiconductors' warranty of the product for such automotive applications, use and specifications, and (b) whenever customer uses the product for automotive applications beyond NXP Semiconductors' specifications such use shall be solely at customer's

own risk, and (c) customer fully indemnifies NXP Semiconductors for any liability, damages or failed product claims resulting from customer design and use of the product for automotive applications beyond NXP Semiconductors' standard warranty and NXP Semiconductors' product specifications.

**Translations** — A non-English (translated) version of a document is for reference only. The English version shall prevail in case of any discrepancy between the translated and English versions.

## 21.4 Trademarks

Notice: All referenced brands, product names, service names and trademarks are the property of their respective owners.

**I<sup>2</sup>C-bus** — logo is a trademark of NXP B.V.

## 22. Contact information

For more information, please visit: <http://www.nxp.com>

For sales office addresses, please send an email to: [salesaddresses@nxp.com](mailto:salesaddresses@nxp.com)