



TAOGLAS®



Datasheet

Part No:
PCB. SMAFRA.HT

Description
SMA(F)RA Through Hole PCB Mount Jack

Features:
SMA(F) Jack
Through Hole PCB Jack
Frequency Range: DC up to 6GHz
Finish: Gold
Dimensions: 13.75mm*15.1mm
RoHS Compliant

1.	Introduction	2
2.	Specification	3
3.	Connector Drawing	4
4.	Packaging	5
<hr/>		
	Changelog	6

Taoglas makes no warranties based on the accuracy or completeness of the contents of this document and reserves the right to make changes to specifications and product descriptions at any time without notice. Taoglas reserves all rights to this document and the information contained herein. Reproduction, use or disclosure to third parties without express permission is strictly prohibited.



1. Introduction

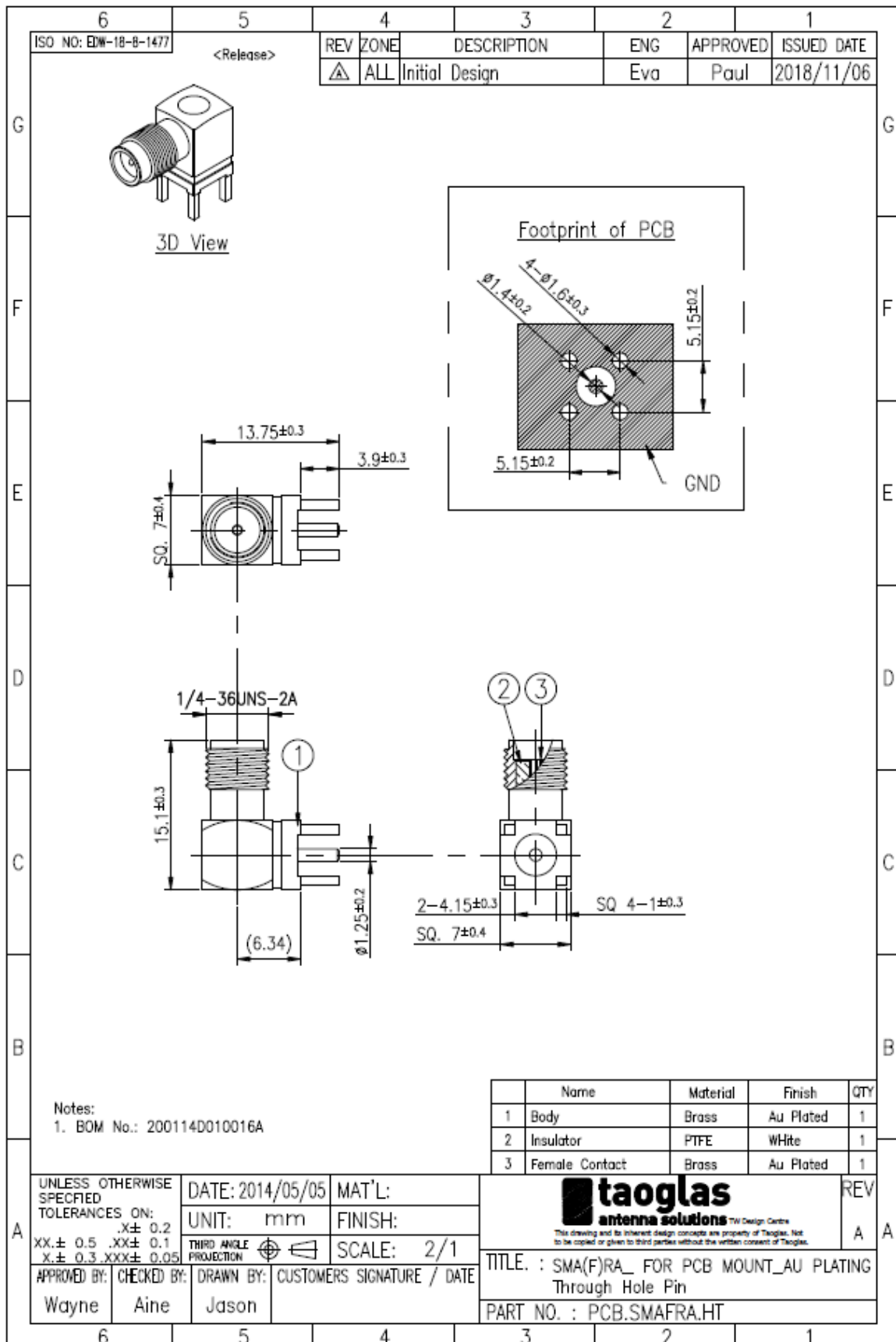


The PCB. SMAFRA.HT connector was designed to be mounted on a PCB. The maximum thickness of PCB that the connector can be used with is 0.4mm. The connector pin is directly soldered onto pads on the PCB. The connector is a standard SMA(F) RA Jack. Taoglas connectors are all RoHS compliant.

2. Specification

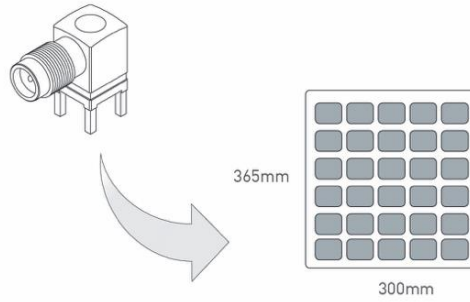
Electrical	
Impedance	50Ω
Frequency Range	DC~6 GHz
Working Voltage	Max. ≤170 Vrms
Dielectric withstanding Voltage	500 Vrms
Insulation Resistance	≥1000M MΩ
Mechanical	
Connector Dimension	13.75mm*15.1mm
Connector Pin Diameter	1.25 mm
Connector Type	SMA(F)RA Jack
Environmental	
Operating Temperature	-40°C to +85°C
RoHS compliant	Yes

3. Connector Drawing

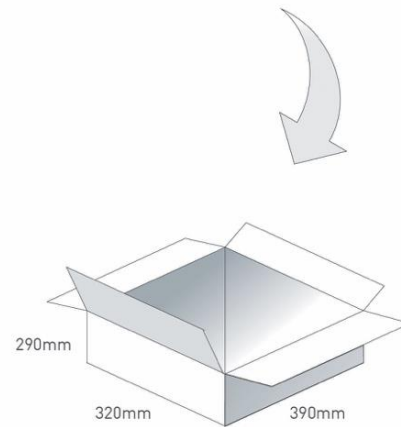


4. Packaging

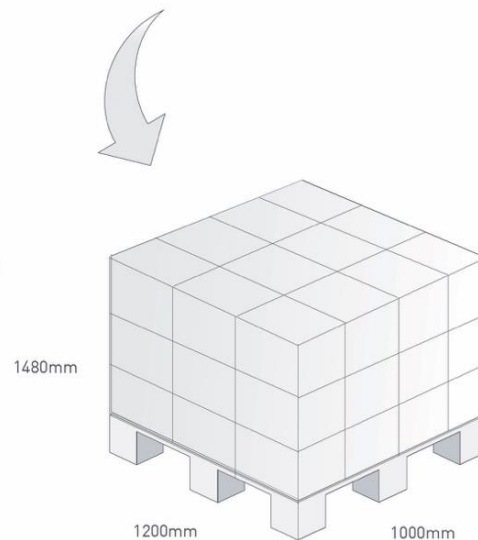
100 pcs PCB.SMAFRA.HT per tray
 Tray Dimensions - 280*130mm
 Total Weight - 393g



20 trays / 2000 pcs PCB.SMAFRA.HT per carton
 Carton Dimensions - 360*310*160
 Weight - 8Kg



Pallet Dimensions 1200mm*1000mm*1480mm
 72 Cartons per pallet
 9 Cartons per layer
 8 Layers



Changelog for the datasheet

SPE-14-8-100 - PCB.SMAFRA.HT

Revision: E (Current Version)

Date:	2023-04-12
Changes:	Full datasheet update
Changes Made by:	Gary West

Previous Revisions

Revision: D

Date:	2022-09-01
Changes:	
Changes Made by:	Jack Conroy

Revision: C

Date:	2015-08-05
Changes:	
Changes Made by:	Aine Doyle

Revision: B

Date:	2014-10-14
Changes:	
Changes Made by:	Aine Doyle

Revision: A (Original First Release)

Date:	2014-09-19
Notes:	
Author:	Aine Doyle