



# PCF8576D

40 × 4 universal LCD driver for low multiplex rates

Rev. 15.1 — 1 September 2021

Product data sheet

## 1 General description

The PCF8576D is a peripheral device which interfaces to almost any Liquid Crystal Display (LCD)<sup>1</sup> with low multiplex rates. It generates the drive signals for any static or multiplexed LCD containing up to four backplanes and up to 40 segments. It can be easily cascaded for larger LCD applications. The PCF8576D is compatible with most microcontrollers and communicates via the two-line bidirectional I<sup>2</sup>C-bus. Communication overheads are minimized by a display RAM with auto-incremented addressing, by hardware subaddressing and by display memory switching (static and duplex drive modes).

- PCF8576DT/2 should not be used for new design-ins. Replacement part is PCF85176T/1 for industrial applications
- PCF8576DT/S400/2 should not be used for new design-ins. Replacement part is PCA85176T/Q900/1 for automotive applications

For a selection of NXP LCD segment drivers, see [Table 29](#).

## 2 Features and benefits

- AEC-Q100 compliant (PCF8576DT/S400/2) for automotive applications
- Single chip LCD controller and driver
- Selectable backplane drive configuration: static or 2, 3, 4 backplane multiplexing
- Selectable display bias configuration: static,  $\frac{1}{2}$ , or  $\frac{1}{3}$
- Internal LCD bias generation with voltage-follower buffers
- 40 segment drives:
  - Up to 20 7-segment numeric characters
  - Up to 10 14-segment alphanumeric characters
  - Any graphics of up to 160 segments/elements
- 40 × 4-bit RAM for display data storage
- Auto-incremented display data loading across device subaddress boundaries
- Display memory bank switching in static and duplex drive modes
- Versatile blinking modes
- Independent supplies possible for LCD and logic voltages
- Wide power supply range: from 1.8 V to 5.5 V
- Wide logic LCD supply range:
  - From 2.5 V for low-threshold LCDs
  - Up to 6.5 V for high-threshold twisted nematic LCDs
- Low power consumption
- 400 kHz I<sup>2</sup>C-bus interface
- May be cascaded for large LCD applications (up to 2 560 segments/elements possible)

<sup>1</sup> The definition of the abbreviations and acronyms used in this data sheet can be found in [Section 21](#).



- No external components required
- Compatible with chip-on-glass and chip-on-board technology
- Manufactured in silicon gate CMOS process

### 3 Ordering information

Table 1. Ordering information

| Type number                     | Topside mark   | Package       |  |               |
|---------------------------------|----------------|---------------|--|---------------|
|                                 |                | Name          | Description  | Version       |
| PCF8576DT/2 <sup>[1]</sup>      | PCF8576DT      | TSSOP56       | plastic thin shrink small outline package, 56 leads; body width 6.1 mm | SOT364-1      |
| PCF8576DT/S400/2 <sup>[2]</sup> | PCF8576DT/S400 | TSSOP56       | plastic thin shrink small outline package, 56 leads; body width 6.1 mm | SOT364-1      |
| PCF8576DU/DA/2                  | PC8576D-1      | wire bond die | 59 bonding pads  | PCF8576DU/DA  |
| PCF8576DU/2DA/2                 | PC8576D-2      | bare die      | 59 bumps   | PCF8576DU/2DA |

[1] Not to be used for new designs. Replacement part is PCF85176T/1 for industrial applications.

[2] Not to be used for new designs. Replacement part is PCF85176T/Q900/1 for automotive applications.

Standard packing quantities and other packaging data are available at [www.nxp.com/packages/](http://www.nxp.com/packages/).

#### 3.1 Ordering options

Table 2. Ordering options

| Type number      | Orderable part number             | Package       | Packing method           | Minimum order quantity | Temperature                         |
|------------------|-----------------------------------|---------------|--------------------------|------------------------|-------------------------------------|
| PCF8576DT/2      | PCF8576DT/2,118 <sup>[1]</sup>    | TSSOP56       | reel 13" q1 non dry pack | 2000                   | T <sub>amb</sub> = -40 °C to +85 °C |
|                  | PCF8576DT/2,518                   | TSSOP56       | reel 13" q1 dry pack     | 2000                   | T <sub>amb</sub> = -40 °C to +85 °C |
| PCF8576DT/S400/2 | PCF8576DT/S400/2,1 <sup>[2]</sup> | TSSOP56       | reel 13" q1 non dry pack | 2000                   | T <sub>amb</sub> = -40 °C to +85 °C |
|                  | PCF8576DT/S400/2Y                 | TSSOP56       | reel 13" q1 dry pack     | 2000                   | T <sub>amb</sub> = -40 °C to +85 °C |
| PCF8576DU/DA/2   | PCF8576DU/DA/2,026                | wire bond die | 2" waffle carriers       | 8640                   | T <sub>amb</sub> = -40 °C to +85 °C |
| PCF8576DU/2DA/2  | PCF8576DU/2DA/2,02                | bare die      | 2" waffle carriers       | 8640                   | T <sub>amb</sub> = -40 °C to +85 °C |

[1] See 202107021DN - drop in replacement is PCF8576DT/2,518 - this is documented in PCN202102010F01.

[2] See 202107021DN - drop in replacement is PCF8576DT/S400/2Y - this is documented in PCN202102010F01.

4 Block diagram

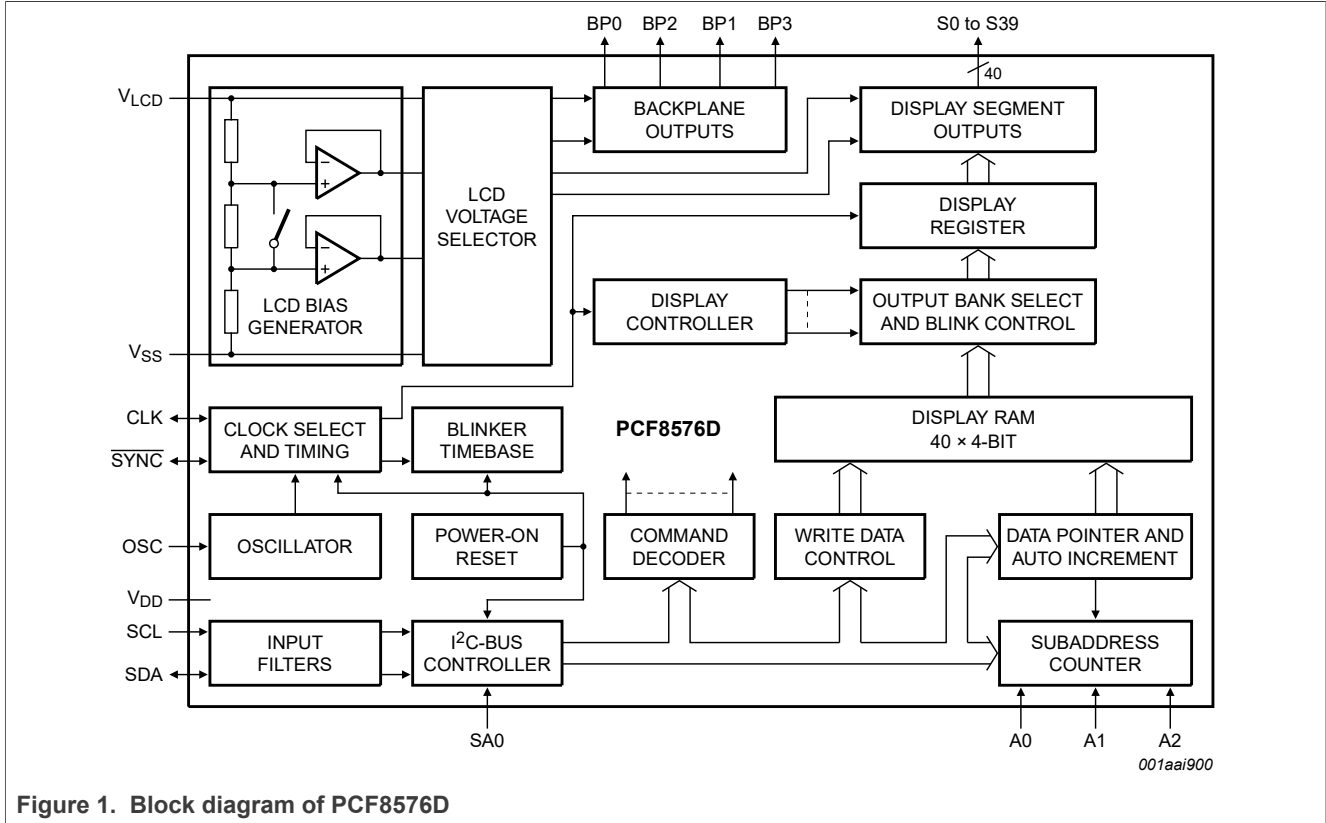
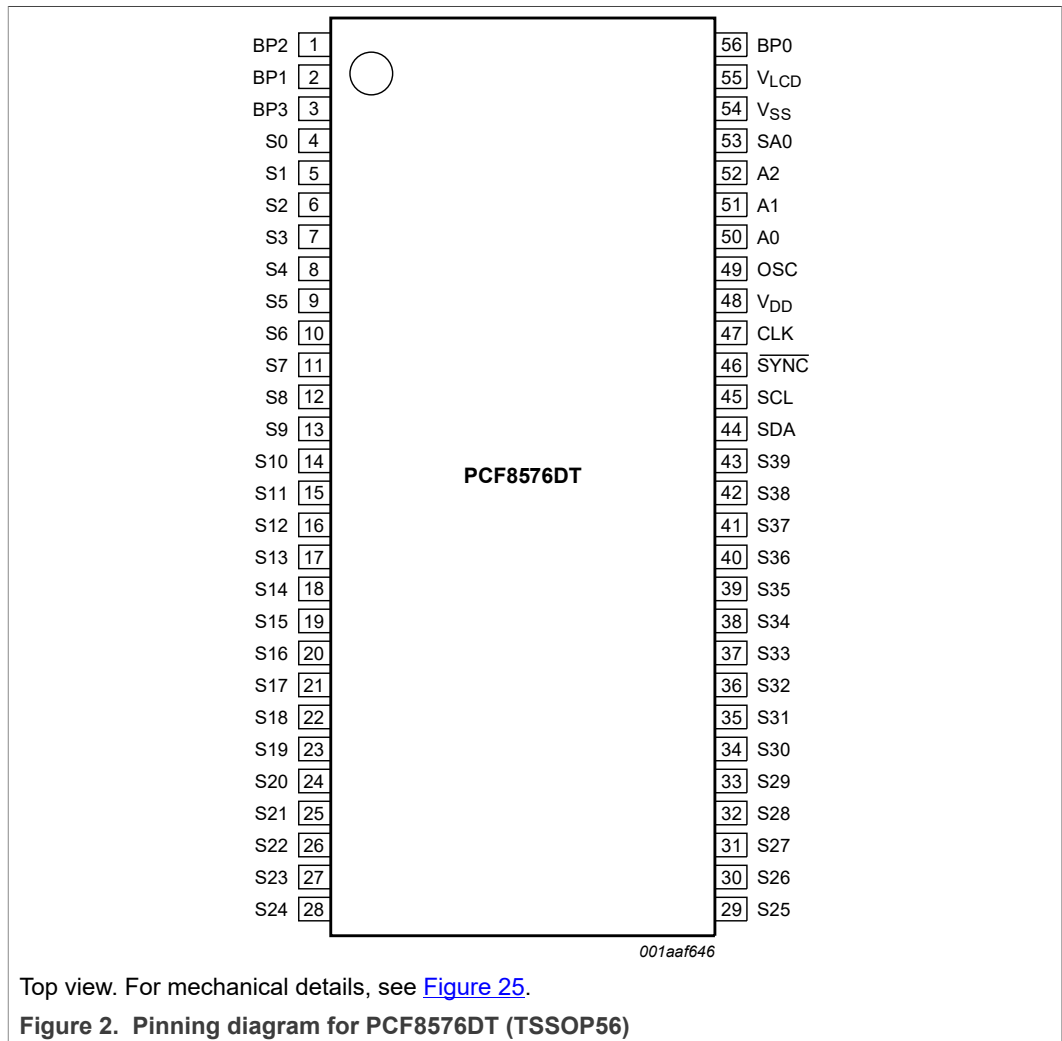
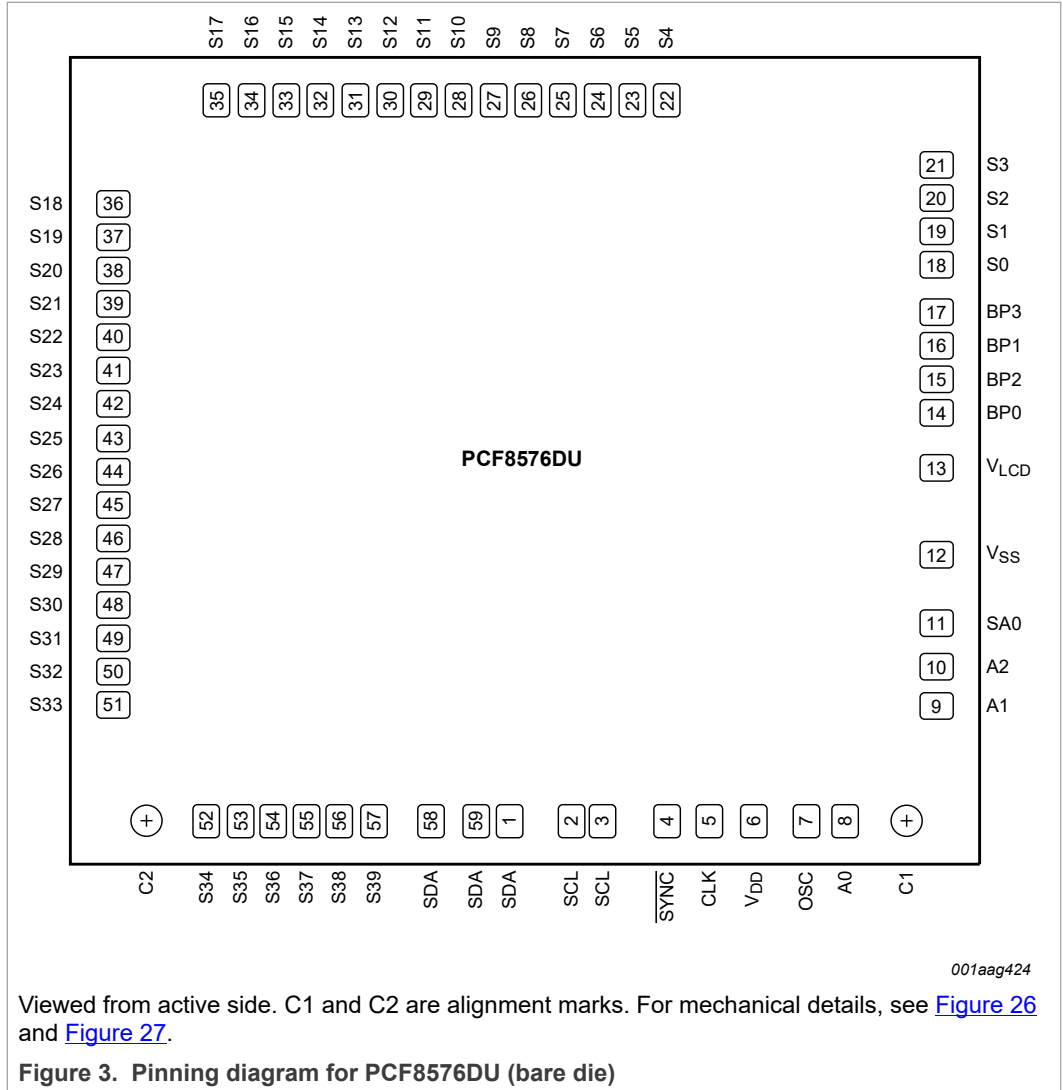


Figure 1. Block diagram of PCF8576D

## 5 Pinning information

### 5.1 Pinning





## 5.2 Pin description

**Table 3. Pin description**

*Input or input/output pins must always be at a defined level ( $V_{SS}$  or  $V_{DD}$ ) unless otherwise specified.*

| Symbol          | Pin       |           | Description   |
|-----------------|-----------|-----------|---|
|                 | PCF8576DT | PCF8576DU |   |
| SDA             | 44        | 1, 58, 59 | I <sup>2</sup> C-bus serial data input and output                         |
| SCL             | 45        | 2, 3      | I <sup>2</sup> C-bus serial clock input                                   |
| CLK             | 47        | 5         | external clock input or output  |
| V <sub>DD</sub> | 48        | 6         | supply voltage  |
| SYNC            | 46        | 4         | cascade synchronization input or output; if not used it must be left open |
| OSC             | 49        | 7         | internal oscillator enable input  |

**Table 3. Pin description...continued**

Input or input/output pins must always be at a defined level ( $V_{SS}$  or  $V_{DD}$ ) unless otherwise specified.

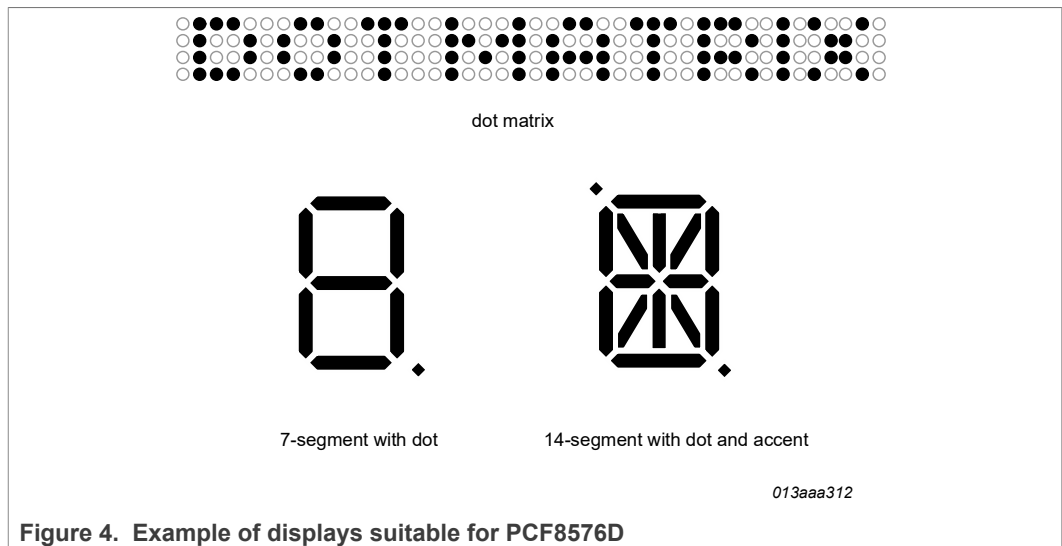
| Symbol             | Pin         |                   | Description                               |
|--------------------|-------------|-------------------|---|
|                    | PCF8576DT   | PCF8576DU         |   |
| A0 to A2           | 50 to 52    | 8 to 10           | subaddress inputs                         |
| SA0                | 53          | 11                | I <sup>2</sup> C-bus address input; bit 0 |
| V <sub>SS</sub>    | 54          | 12 <sup>[1]</sup> | ground supply voltage                     |
| V <sub>LCD</sub>   | 55          | 13                | LCD supply voltage                        |
| BP0, BP2, BP1, BP3 | 56, 1, 2, 3 | 14 to 17          | LCD backplane outputs                     |
| S0 to S39          | 4 to 43     | 18 to 57          | LCD segment outputs                       |
| n.c.               | -           | -                 | not connected                             |

[1] The substrate (rear side of the die) is connected to V<sub>SS</sub> and should be electrically isolated .

## 6 Functional description

The PCF8576D is a versatile peripheral device designed to interface between any microcontroller to a wide variety of LCD segment or dot matrix displays (see [Figure 4](#)). It can directly drive any static or multiplexed LCD containing up to four backplanes and up to 40 segments.

The possible display configurations of the PCF8576D depend on the number of active backplane outputs required. A selection of display configurations is shown in [Table 4](#). All of these configurations can be implemented in the typical system shown in [Figure 5](#).



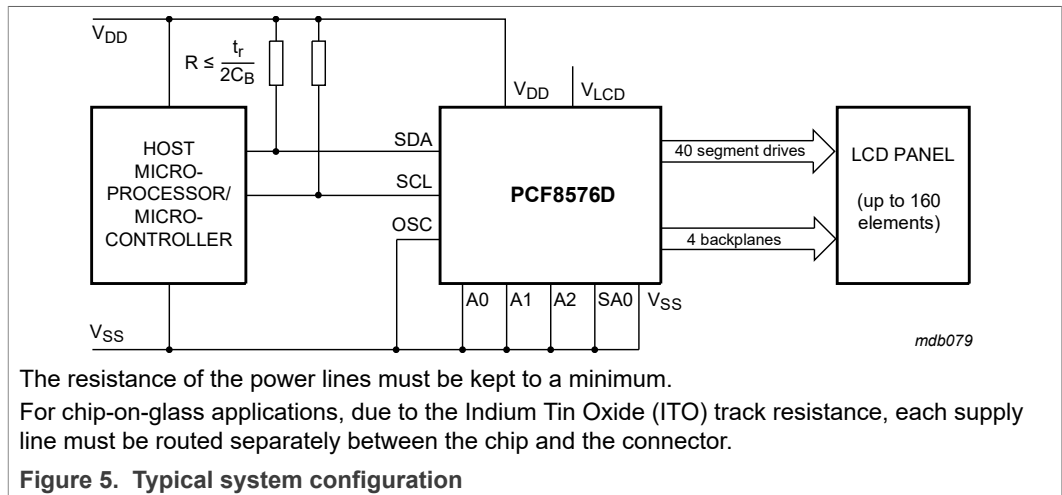
**Figure 4. Example of displays suitable for PCF8576D**

Table 4. Selection of possible display configurations

| Number of Backplanes | Icons | Digits/Characters        |                           | Dot matrix: segments/elements |
|----------------------|-------|--------------------------|---------------------------|-------------------------------|
|                      |       | 7-segment <sup>[1]</sup> | 14-segment <sup>[2]</sup> |                               |
| 4                    | 160   | 20                       | 10                        | 160 (4 × 40)                  |
| 3                    | 120   | 15                       | 7                         | 120 (3 × 40)                  |
| 2                    | 80    | 10                       | 5                         | 80 (2 × 40)                   |
| 1                    | 40    | 5                        | 2                         | 40 (1 × 40)                   |

[1] 7 segment display has 8 segments/elements including the decimal point.

[2] 14 segment display has 16 segments/elements including decimal point and accent dot.



The host microcontroller maintains the 2-line I<sup>2</sup>C-bus communication channel with the PCF8576D. The internal oscillator is enabled by connecting pin OSC to pin V<sub>SS</sub>. The appropriate biasing voltages for the multiplexed LCD waveforms are generated internally. The only other connections required to complete the system are to the power supplies (V<sub>DD</sub>, V<sub>SS</sub>, and V<sub>LCD</sub>) and the LCD panel chosen for the application.

### 6.1 Power-On Reset (POR)

At power-on the PCF8576D resets to the following starting conditions:

- All backplane and segment outputs are set to V<sub>LCD</sub>
- The selected drive mode is: 1:4 multiplex with 1/3 bias
- Blinking is switched off
- Input and output bank selectors are reset
- The I<sup>2</sup>C-bus interface is initialized
- The data pointer and the subaddress counter are cleared (set to logic 0)
- The display is disabled (bit E = 0, see Table 11)

**Remark:** Do not transfer data on the I<sup>2</sup>C-bus for at least 1 ms after a power-on to allow the reset action to complete.

### 6.2 LCD bias generator

Fractional LCD biasing voltages are obtained from an internal voltage divider of three impedances connected between pins  $V_{LCD}$  and  $V_{SS}$ . The center impedance is bypassed by switch if the  $\frac{1}{2}$  bias voltage level for the 1:2 multiplex drive mode configuration is selected. The LCD voltage can be temperature compensated externally using the supply to pin  $V_{LCD}$ .

### 6.3 LCD voltage selector

The LCD voltage selector coordinates the multiplexing of the LCD in accordance with the selected LCD drive configuration. The operation of the voltage selector is controlled by the mode-set command from the command decoder. The biasing configurations that apply to the preferred modes of operation, together with the biasing characteristics as functions of  $V_{LCD}$  and the resulting discrimination ratios (D) are given in [Table 5](#).

Discrimination is a term which is defined as the ratio of the on and off RMS voltage across a segment. It can be thought of as a measurement of contrast.

Table 5. Biasing characteristics

| LCD drive mode | Number of: |        | LCD bias configuration | $\frac{V_{off(RMS)}}{V_{LCD}}$ | $\frac{V_{on(RMS)}}{V_{LCD}}$ | $D = \frac{V_{on(RMS)}}{V_{off(RMS)}}$ |
|----------------|------------|--------|------------------------|--------------------------------|-------------------------------|--|
|                | Backplanes | Levels |                        |                                |                               |  |
| static         | 1          | 2      | static                 | 0                              | 1                             | $\infty$                               |
| 1:2 multiplex  | 2          | 3      | $\frac{1}{2}$          | 0.354                          | 0.791                         | 2.236                                  |
| 1:2 multiplex  | 2          | 4      | $\frac{1}{3}$          | 0.333                          | 0.745                         | 2.236                                  |
| 1:3 multiplex  | 3          | 4      | $\frac{1}{3}$          | 0.333                          | 0.638                         | 1.915                                  |
| 1:4 multiplex  | 4          | 4      | $\frac{1}{3}$          | 0.333                          | 0.577                         | 1.732                                  |

A practical value for  $V_{LCD}$  is determined by equating  $V_{off(RMS)}$  with a defined LCD threshold voltage ( $V_{th(off)}$ ), typically when the LCD exhibits approximately 10 % contrast. In the static drive mode a suitable choice is  $V_{LCD} > 3V_{th(off)}$ .

Multiplex drive modes of 1:3 and 1:4 with  $\frac{1}{2}$  bias are possible but the discrimination and hence the contrast ratios are smaller.

Bias is calculated by  $\frac{1}{1+a}$ , where the values for a are

$a = 1$  for  $\frac{1}{2}$  bias

$a = 2$  for  $\frac{1}{3}$  bias

The RMS on-state voltage ( $V_{on(RMS)}$ ) for the LCD is calculated with [Equation 1](#):

$$V_{on(RMS)} = \frac{V_{LCD}}{n} \sqrt{\frac{a^2 + 2a + n}{(1+a)^2}} \quad (1)$$

where the values for n are

$n = 1$  for static drive mode

$n = 2$  for 1:2 multiplex drive mode

$n = 3$  for 1:3 multiplex drive mode

$n = 4$  for 1:4 multiplex drive mode

The RMS off-state voltage ( $V_{off(RMS)}$ ) for the LCD is calculated with [Equation 2](#):



$$V_{off(RMS)} = \frac{V_{LCD}}{\sqrt{n \times (1+a)^2}} \sqrt{a^2 - 2a + n} \quad (2)$$

Discrimination is the ratio of  $V_{on(RMS)}$  to  $V_{off(RMS)}$  and is determined from [Equation 3](#):

$$D = \frac{V_{on(RMS)}}{V_{off(RMS)}} = \sqrt{\frac{a^2 + 2a + n}{a^2 - 2a + n}} \quad (3)$$

Using [Equation 3](#), the discrimination for an LCD drive mode of 1:3 multiplex with  $\frac{1}{2}$  bias is  $\sqrt{3} = 1.732$  and the discrimination for an LCD drive mode of 1:4 multiplex with  $\frac{1}{2}$  bias is  $\frac{\sqrt{21}}{3} = 1.528$ .

The advantage of these LCD drive modes is a reduction of the LCD full scale voltage  $V_{LCD}$  as follows:

- 1:3 multiplex ( $\frac{1}{2}$  bias):  $V_{LCD} = \sqrt{6} \times V_{off(RMS)} = 2.449V_{off(RMS)}$
- 1:4 multiplex ( $\frac{1}{2}$  bias):  $V_{LCD} = \left[ \frac{4 \times \sqrt{3}}{3} \right] = 2.309V_{off(RMS)}$

These compare with  $V_{LCD} = 3V_{off(RMS)}$  when  $\frac{1}{3}$  bias is used.

It should be noted that  $V_{LCD}$  is sometimes referred as the LCD operating voltage.

### 6.3.1 Electro-optical performance

Suitable values for  $V_{on(RMS)}$  and  $V_{off(RMS)}$  are dependent on the LCD liquid used. The RMS voltage, at which a pixel will be switched on or off, determine the transmissibility of the pixel.

For any given liquid, there are two threshold values defined. One point is at 10 % relative transmission (at  $V_{th(off)}$ ) and the other at 90 % relative transmission (at  $V_{th(on)}$ ), see [Figure 6](#). For a good contrast performance, the following rules should be followed:

$$V_{on(RMS)} \geq V_{th(on)} \quad (4)$$

$$V_{off(RMS)} \leq V_{th(off)} \quad (5)$$

$V_{on(RMS)}$  and  $V_{off(RMS)}$  are properties of the display driver and are affected by the selection of a, n (see [Equation 1](#) to [Equation 3](#)) and the  $V_{LCD}$  voltage.

$V_{th(off)}$  and  $V_{th(on)}$  are properties of the LCD liquid and can be provided by the module manufacturer.  $V_{th(off)}$  is sometimes just named  $V_{th}$ .  $V_{th(on)}$  is sometimes named saturation voltage  $V_{sat}$ .

It is important to match the module properties to those of the driver in order to achieve optimum performance.

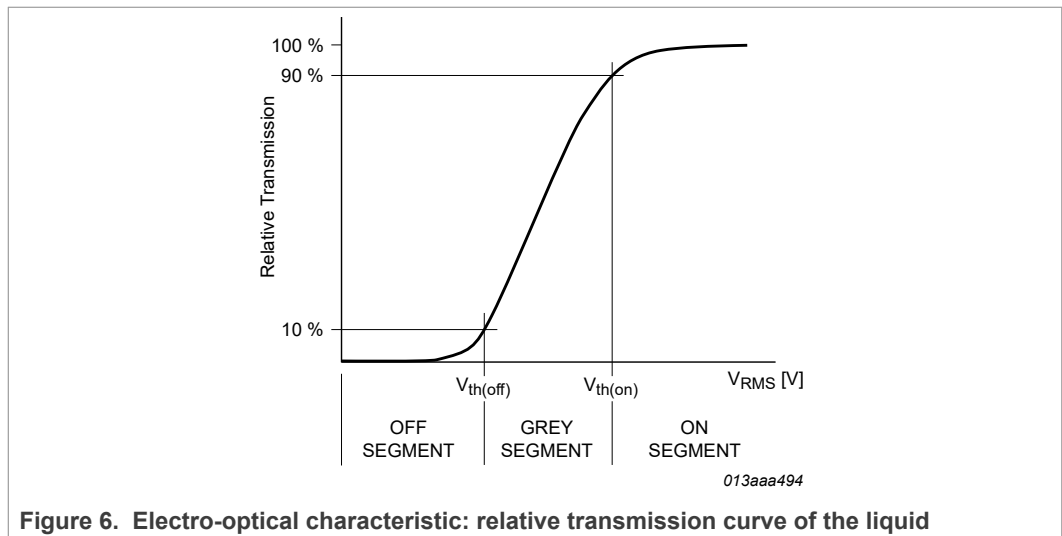
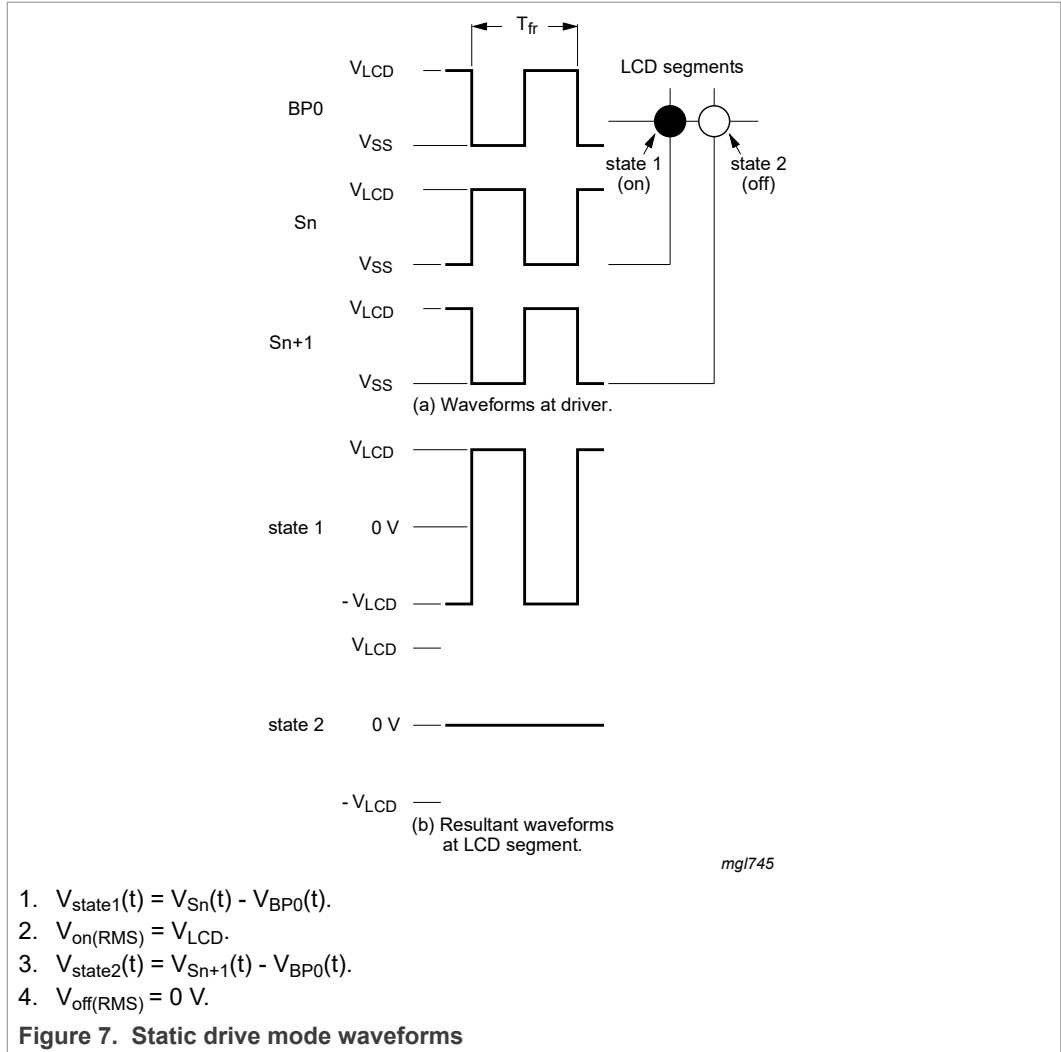


Figure 6. Electro-optical characteristic: relative transmission curve of the liquid

## 6.4 LCD drive mode waveforms

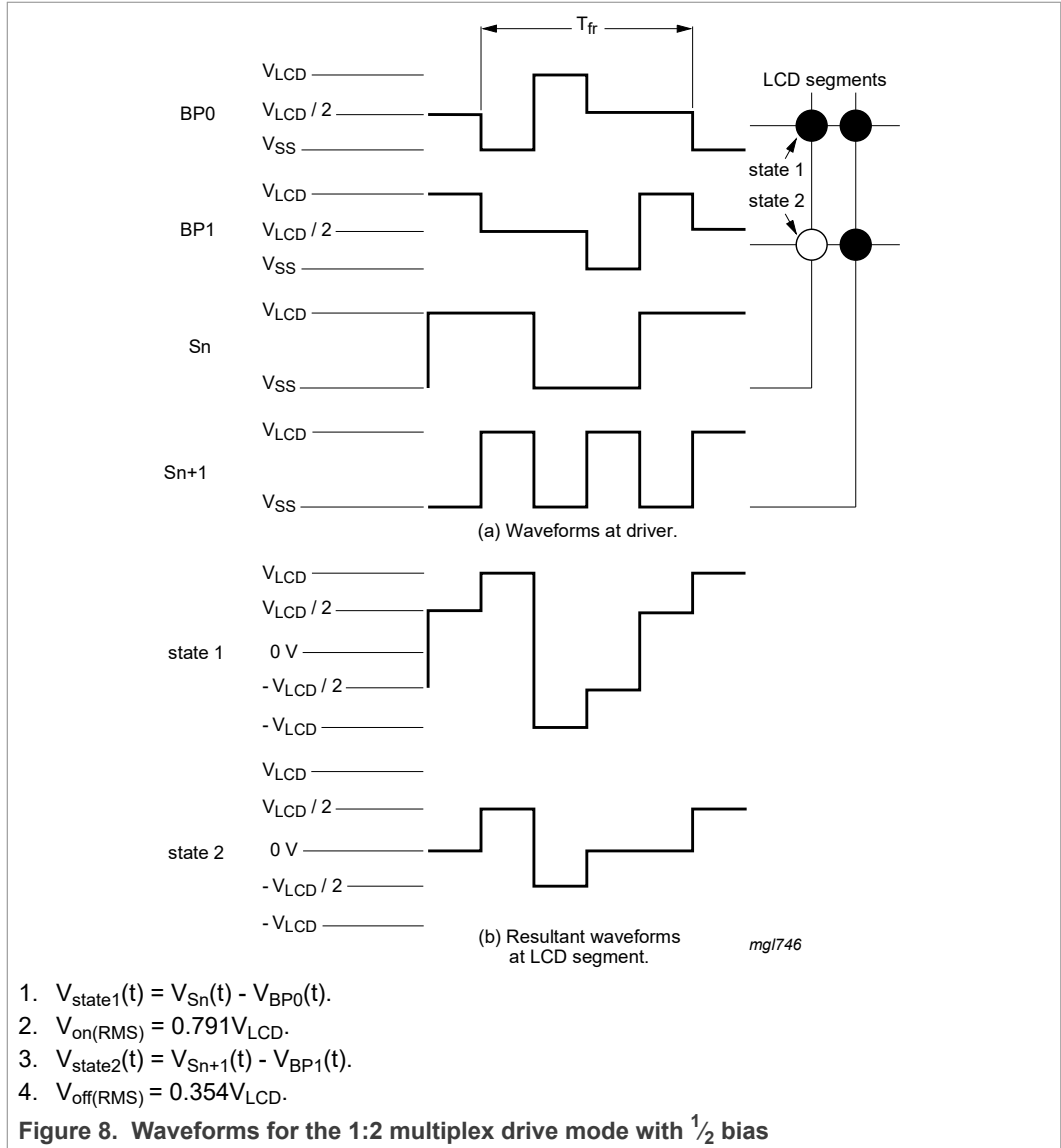
### 6.4.1 Static drive mode

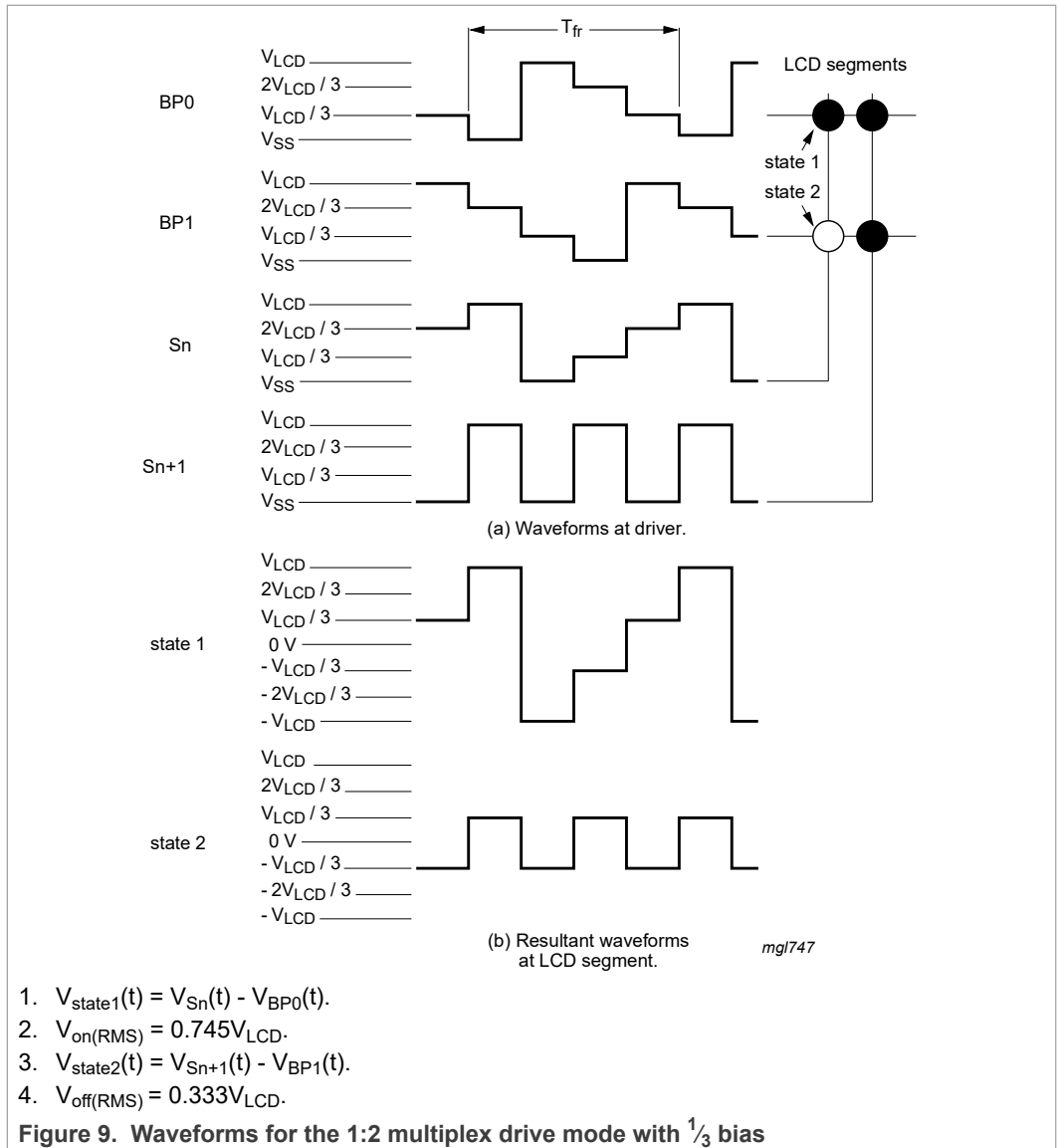
The static LCD drive mode is used when a single backplane is provided in the LCD. The backplane (BP<sub>n</sub>) and segment drive (S<sub>n</sub>) waveforms for this mode are shown in [Figure 7](#).



**6.4.2 1:2 Multiplex drive mode**

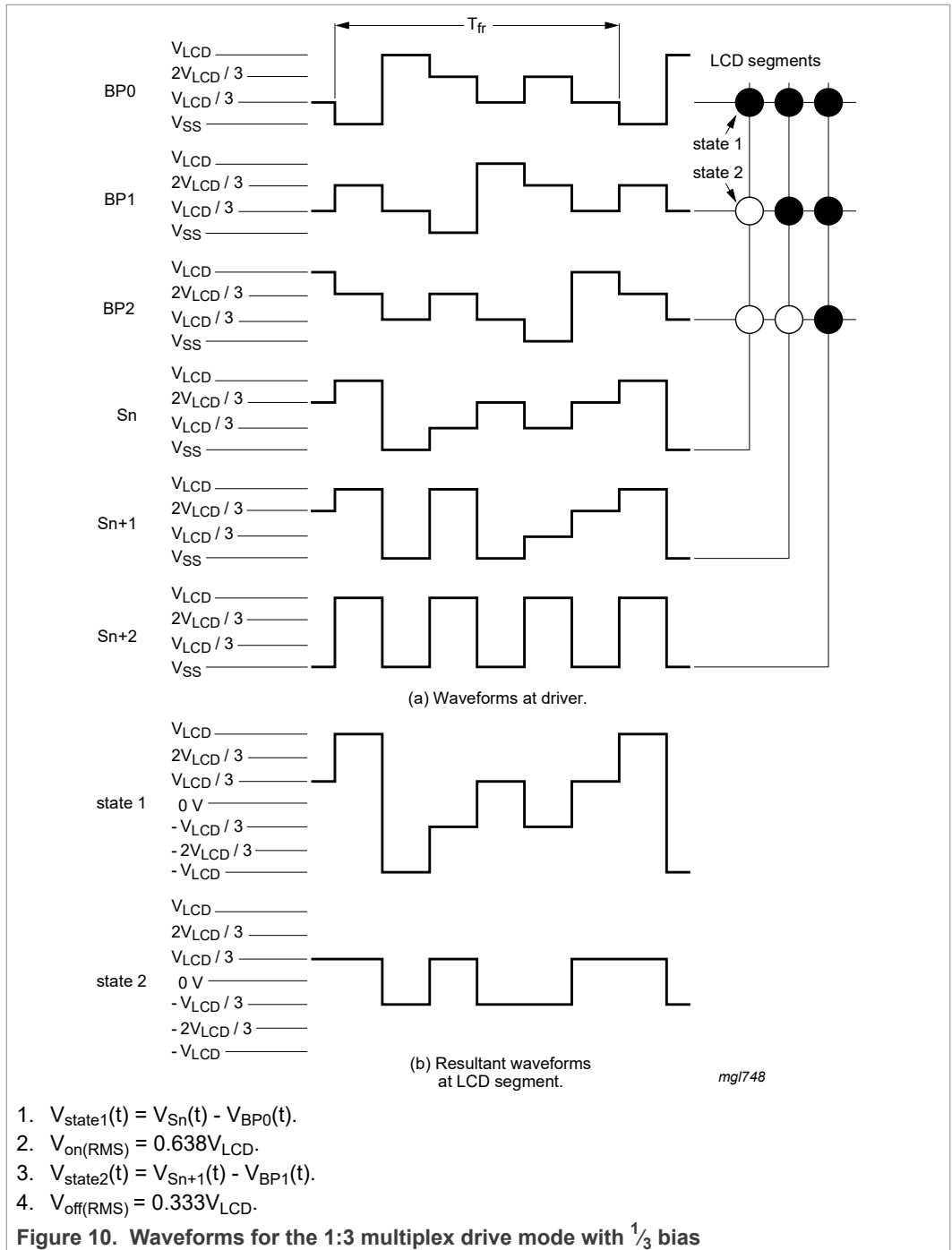
The 1:2 multiplex drive mode is used when two backplanes are provided in the LCD. This mode allows fractional LCD bias voltages of  $\frac{1}{2}$  bias or  $\frac{1}{3}$  bias as shown in [Figure 8](#) and [Figure 9](#).





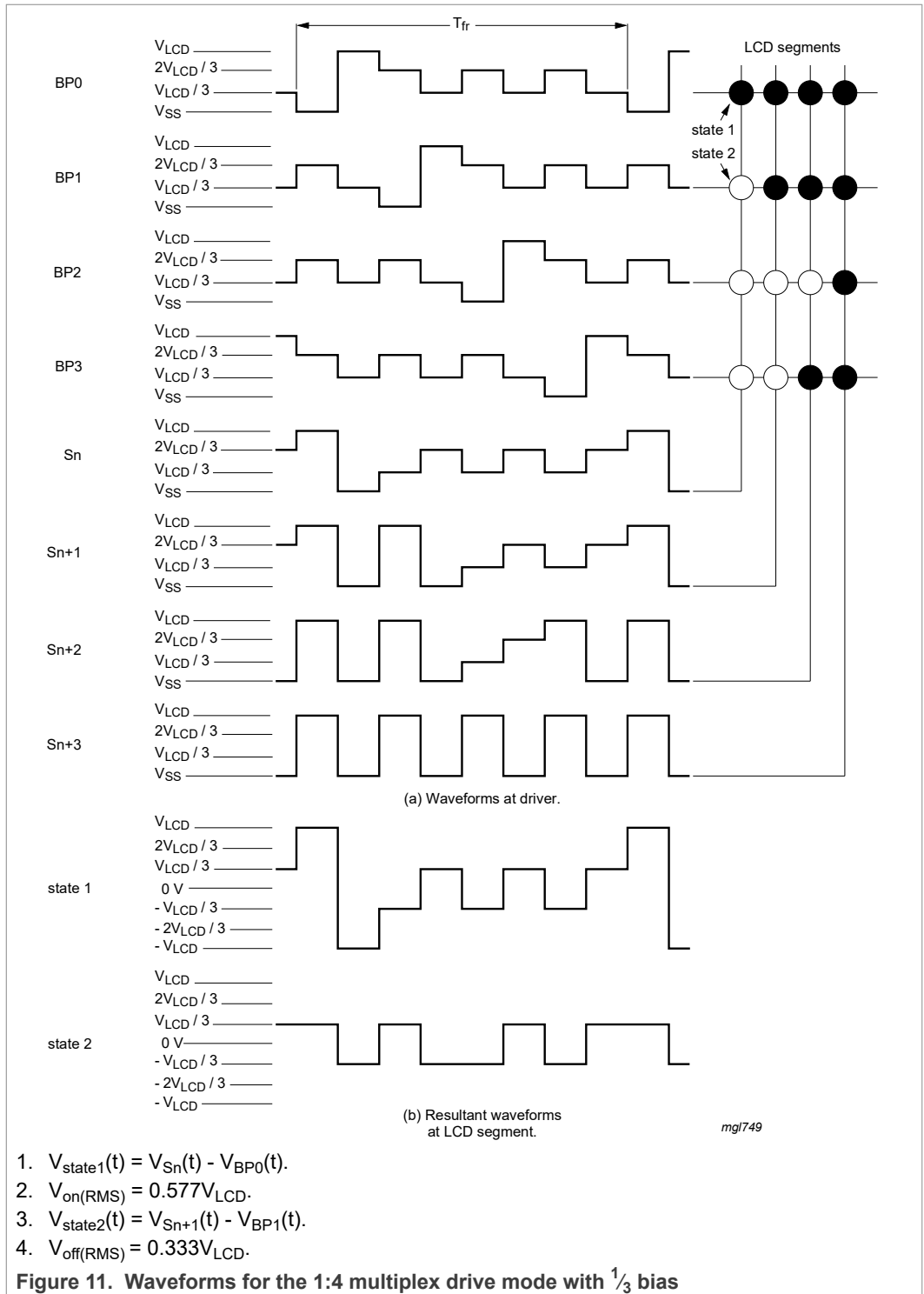
**6.4.3 1:3 Multiplex drive mode**

When three backplanes are provided in the LCD, the 1:3 multiplex drive mode applies (see [Figure 10](#)).



**6.4.4 1:4 Multiplex drive mode**

When four backplanes are provided in the LCD, the 1:4 multiplex drive mode applies (see [Figure 11](#)).



6.5 Oscillator

### 6.5.1 Internal clock

The internal logic of the PCF8576D and its LCD drive signals are timed either by its internal oscillator or by an external clock. The internal oscillator is enabled by connecting pin OSC to pin V<sub>SS</sub>. If the internal oscillator is used, the output from pin CLK can be used as the clock signal for several PCF8576Ds in the system that are connected in cascade.

### 6.5.2 External clock

Pin CLK is enabled as an external clock input by connecting pin OSC to V<sub>DD</sub>. The LCD frame signal frequency is determined by the clock frequency (f<sub>clk</sub>).

**Remark:** A clock signal must always be supplied to the device; removing the clock may freeze the LCD in a DC state, which is not suitable for the liquid crystal.

## 6.6 Timing

The PCF8576D timing controls the internal data flow of the device. This includes the transfer of display data from the display RAM to the display segment outputs. In cascaded applications, the correct timing relationship between each PCF8576D in the system is maintained by the synchronization signal at pin  $\overline{\text{SYNC}}$ . The timing also generates the LCD frame signal whose frequency is derived from the clock frequency. The frame signal frequency is a fixed division of the clock frequency from either the internal or an external clock: .

$$f_{fr} = \frac{f_{clk}}{24}$$

### 6.7 Display register

The display latch holds the display data while the corresponding multiplex signals are generated.

### 6.8 Segment outputs

The LCD drive section includes 40 segment outputs S0 to S39 which should be connected directly to the LCD. The segment output signals are generated in accordance with the multiplexed backplane signals and with data residing in the display latch. When less than 40 segment outputs are required, the unused segment outputs should be left open-circuit.

### 6.9 Backplane outputs

The LCD drive section includes four backplane outputs BP0 to BP3 which must be connected directly to the LCD. The backplane output signals are generated in accordance with the selected LCD drive mode. If less than four backplane outputs are required, the unused outputs can be left open-circuit.

- In 1:3 multiplex drive mode, BP3 carries the same signal as BP1, therefore these two adjacent outputs can be tied together to give enhanced drive capabilities.
- In 1:2 multiplex drive mode, BP0 and BP2, respectively, BP1 and BP3 all carry the same signals and may also be paired to increase the drive capabilities.
- In static drive mode the same signal is carried by all four backplane outputs and they can be connected in parallel for very high drive requirements.



### 6.10 Display RAM

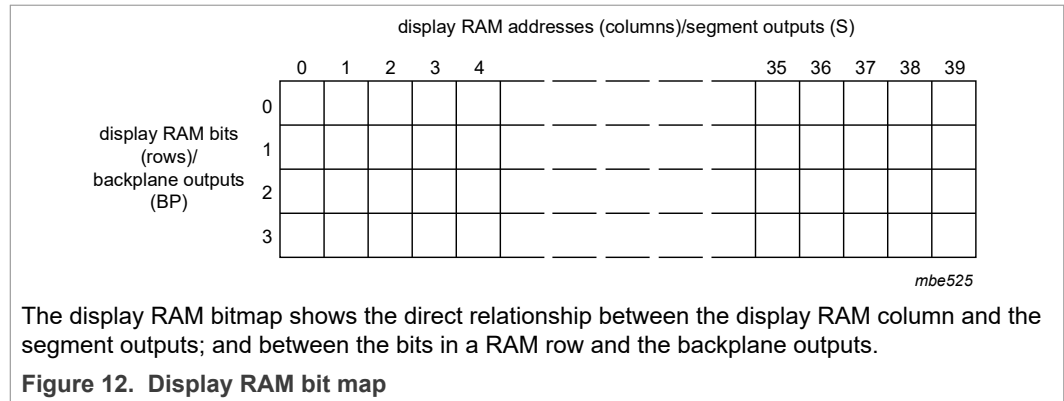
The display RAM is a static 40 × 4-bit RAM which stores LCD data.

There is a one-to-one correspondence between

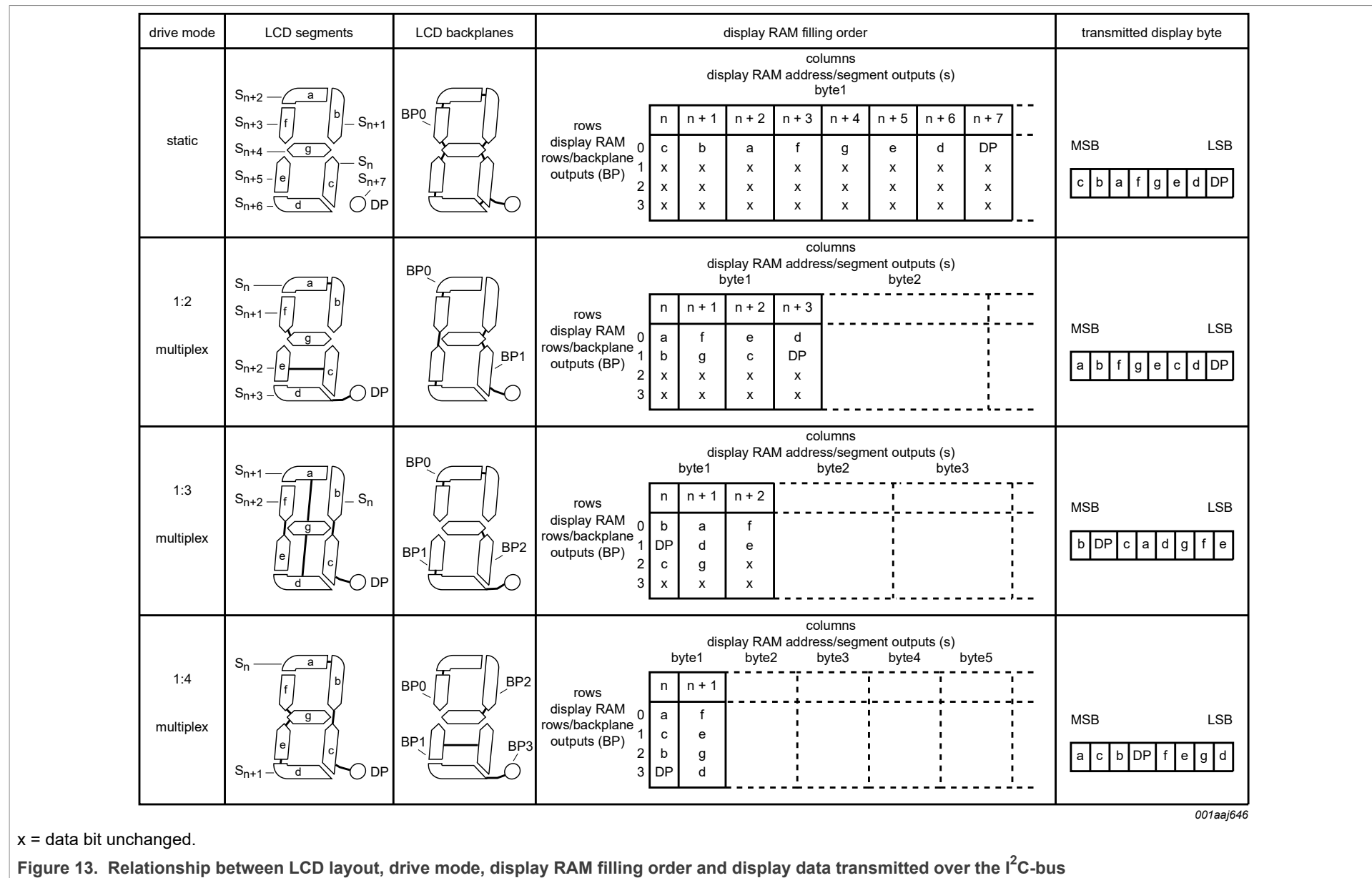
- the bits in the RAM bitmap and the LCD segments/elements
- the RAM columns and the segment outputs
- the RAM rows and the backplane outputs.

A logic 1 in the RAM bitmap indicates the on-state of the corresponding LCD element; similarly, a logic 0 indicates the off-state.

The display RAM bit map, [Figure 12](#), shows the rows 0 to 3 which correspond with the backplane outputs BP0 to BP3, and the columns 0 to 39 which correspond with the segment outputs S0 to S39. In multiplexed LCD applications the segment data of the first, second, third and fourth row of the display RAM are time-multiplexed with BP0, BP1, BP2, and BP3 respectively.



When display data is transmitted to the PCF8576D, the received display bytes are stored in the display RAM in accordance with the selected LCD drive mode. The data is stored as it arrives and depending on the current multiplex drive mode the bits are stored singularly, in pairs, triples, or quadruples. To illustrate the filling order, an example of a 7-segment display showing all drive modes is given in [Figure 13](#); the RAM filling organization depicted applies equally to other LCD types.



001aa|646

x = data bit unchanged.

Figure 13. Relationship between LCD layout, drive mode, display RAM filling order and display data transmitted over the I<sup>2</sup>C-bus

The following applies to [Figure 13](#):

- In static drive mode the eight transmitted data bits are placed into row 0 as one byte.
- In 1:2 multiplex drive mode the eight transmitted data bits are placed in pairs into row 0 and 1 as four successive 2-bit RAM words.
- In 1:3 multiplex drive mode the eight bits are placed in triples into row 0, 1, and 2 as three successive 3-bit RAM words, with bit 3 of the third address left unchanged. It is not recommended to use this bit in a display because of the difficult addressing. This last bit may, if necessary, be controlled by an additional transfer to this address, but care should be taken to avoid overwriting adjacent data because always full bytes are transmitted (see [Section 6.10.3](#)).
- In 1:4 multiplex drive mode, the eight transmitted data bits are placed in quadruples into row 0, 1, 2, and 3 as two successive 4-bit RAM words.

### 6.10.1 Data pointer

The addressing mechanism for the display RAM is realized using the data pointer. This allows the loading of an individual display data byte, or a series of display data bytes, into any location of the display RAM. The sequence commences with the initialization of the data pointer by the load-data-pointer command (see [Table 12](#)). Following this command, an arriving data byte is stored at the display RAM address indicated by the data pointer. The filling order is shown in [Figure 13](#). After each byte is stored, the content of the data pointer is automatically incremented by a value dependent on the selected LCD drive mode:

- In static drive mode by eight.
- In 1:2 multiplex drive mode by four.
- In 1:3 multiplex drive mode by three.
- In 1:4 multiplex drive mode by two.

If an I<sup>2</sup>C-bus data access terminates early then the state of the data pointer is unknown. Consequently, the data pointer must be rewritten prior to further RAM accesses.

### 6.10.2 Subaddress counter

The storage of display data is determined by the contents of the subaddress counter. Storage is allowed only when the content of the subaddress counter match with the hardware subaddress applied to A0, A1, and A2. The subaddress counter value is defined by the device-select command (see [Table 13](#)). If the content of the subaddress counter and the hardware subaddress do not match then data storage is inhibited but the data pointer is incremented as if data storage had taken place. The subaddress counter is also incremented when the data pointer overflows.

The storage arrangements described lead to extremely efficient data loading in cascaded applications. When a series of display bytes are sent to the display RAM, automatic wrap-over to the next PCF8576D occurs when the last RAM address is exceeded. Subaddressing across device boundaries is successful even if the change to the next device in the cascade occurs within a transmitted character.

The hardware subaddress must not be changed while the device is being accessed on the I<sup>2</sup>C-bus interface.

6.10.3 RAM writing in 1:3 multiplex drive mode

In 1:3 multiplex drive mode, the RAM is written as shown in [Table 6](#) (see [Figure 13](#) as well).

Table 6. Standard RAM filling in 1:3 multiplex drive mode

Assumption: BP2/S2, BP2/S5, BP2/S8 etc. **are not connected** to any segments/elements on the display.

| Display RAM bits (rows)/ backplane outputs (BPn) | Display RAM addresses (columns)/segment outputs (Sn) |    |    |    |    |    |    |    |    |    |   |
|--|--|----|----|----|----|----|----|----|----|----|---|
|  | 0  | 1  | 2  | 3  | 4  | 5  | 6  | 7  | 8  | 9  | : |
| 0  | a7   | a4 | a1 | b7 | b4 | b1 | c7 | c4 | c1 | d7 | : |
| 1  | a6   | a3 | a0 | b6 | b3 | b0 | c6 | c3 | c0 | d6 | : |
| 2  | a5   | a2 | -  | b5 | b2 | -  | c5 | c2 | -  | d5 | : |
| 3  | -  | -  | -  | -  | -  | -  | -  | -  | -  | -  | : |

If the bit at position BP2/S2 would be written by a second byte transmitted, then the mapping of the segment bits would change as illustrated in [Table 7](#).

Table 7. Entire RAM filling by rewriting in 1:3 multiplex drive mode

Assumption: BP2/S2, BP2/S5, BP2/S8 etc. **are connected** to segments/elements on the display.

| Display RAM bits (rows)/ backplane outputs (BPn) | Display RAM addresses (columns)/segment outputs (Sn) |    |       |    |       |    |       |    |       |    |   |
|--|--|----|-------|----|-------|----|-------|----|-------|----|---|
|  | 0  | 1  | 2     | 3  | 4     | 5  | 6     | 7  | 8     | 9  | : |
| 0  | a7   | a4 | a1/b7 | b4 | b1/c7 | c4 | c1/d7 | d4 | d1/e7 | e4 | : |
| 1  | a6   | a3 | a0/b6 | b3 | b0/c6 | c3 | c0/d6 | d3 | d0/e6 | e3 | : |
| 2  | a5   | a2 | b5    | b2 | c5    | c2 | d5    | d2 | e5    | e2 | : |
| 3  | -  | -  | -     | -  | -     | -  | -     | -  | -     | -  | : |

In the case described in [Table 7](#) the RAM has to be written entirely and BP2/S2, BP2/S5, BP2/S8 etc. have to be connected to segments/elements on the display. This can be achieved by a combination of writing and rewriting the RAM like follows:

- In the first write to the RAM, bits a7 to a0 are written.
- In the second write, bits b7 to b0 are written, overwriting bits a1 and a0 with bits b7 and b6.
- In the third write, bits c7 to c0 are written, overwriting bits b1 and b0 with bits c7 and c6.

Depending on the method of writing to the RAM (standard or entire filling by rewriting), some segments/elements remain unused or can be used, but it has to be considered in the module layout process as well as in the driver software design.

6.10.4 Writing over the RAM address boundary

In all multiplex drive modes, depending on the setting of the data pointer, it is possible to fill the RAM over the RAM address boundary. If the PCF8576D is part of a cascade the additional bits fall into the next device that also generates the acknowledge signal. If the PCF8576D is a single device or the last device in a cascade the additional bits will be discarded and no acknowledge signal will be generated.

**6.10.5 Output bank selector**

The output bank selector (see [Table 14](#)) selects one of the four rows per display RAM address for transfer to the display register. The actual row selected depends on the selected LCD drive mode in operation and on the instant in the multiplex sequence.

- In 1:4 multiplex mode, all RAM addresses of row 0 are selected, these are followed by the contents of row 1, 2, and then 3
- In 1:3 multiplex mode, rows 0, 1, and 2 are selected sequentially
- In 1:2 multiplex mode, rows 0 and 1 are selected
- In static mode, row 0 is selected

The PCF8576D includes a RAM bank switching feature in the static and 1:2 multiplex drive modes. In the static drive mode, the bank-select command may request the contents of row 2 to be selected for display instead of the contents of row 0. In the 1:2 multiplex mode, the contents of rows 2 and 3 may be selected instead of rows 0 and 1. This gives the provision for preparing display information in an alternative bank and to be able to switch to it once it is assembled.

**6.10.6 Input bank selector**

The input bank selector loads display data into the display RAM in accordance with the selected LCD drive configuration. Display data can be loaded in row 2 in static drive mode or in rows 2 and 3 in 1:2 multiplex drive mode by using the bank-select command (see [Table 14](#)). The input bank selector functions independently to the output bank selector.

**6.11 Blinking**

The display blinking capabilities of the PCF8576D are very versatile. The whole display can blink at frequencies selected by the blink-select command (see [Table 15](#)). The blink frequencies are derived from the clock frequency. The ratio between the clock and blink frequencies depends on the blink mode selected (see [Table 15](#)).

An additional feature is for an arbitrary selection of LCD segments/elements to blink. This applies to the static and 1:2 multiplex drive modes and can be implemented without any communication overheads. By means of the output bank selector, the displayed RAM banks are exchanged with alternate RAM banks at the blink frequency. This mode can also be specified by the blink-select command.

In the 1:3 and 1:4 multiplex modes, where no alternative RAM bank is available, groups of LCD segments/elements can blink by selectively changing the display RAM data at fixed time intervals.

The entire display can blink at a frequency other than the nominal blink frequency. This can be effectively performed by resetting and setting the display enable bit E at the required rate using the mode-set command (see [Table 11](#)).

**Table 8. Blinking frequencies**

| Blink mode | Normal operating mode ratio | Nominal blink frequency <sup>[1]</sup> |
|------------|-----------------------------|--|
| off        | -                           | blinking off                           |
| 1          | $\frac{f_{clk}}{768}$       | 2 Hz                                   |
| 2          | $\frac{f_{clk}}{1536}$      | 1 Hz                                   |

Table 8. Blinking frequencies...continued

| Blink mode | Normal operating mode ratio | Nominal blink frequency <sup>[1]</sup> |
|------------|-----------------------------|--|
| 3          | $\frac{f_{clk}}{3072}$      | 0.5 Hz                                 |

[1] Blink modes 1, 2 and 3 and the nominal blink frequencies 0.5 Hz, 1 Hz and 2 Hz correspond to an oscillator frequency ( $f_{clk}$ ) of 1536 Hz (see [Section 12](#)).

## 6.12 Command decoder

The command decoder identifies command bytes that arrive on the I<sup>2</sup>C-bus. The commands available to the PCF8576D are defined in [Table 9](#).

Table 9. Definition of PCF8576D commands

| Command           | Operation code |   |        |                  |   |        |         |   | Reference                |                          |
|-------------------|----------------|---|--------|------------------|---|--------|---------|---|--------------------------|--------------------------|
|                   | 7              | 6 | 5      | 4                | 3 | 2      | 1       | 0 |                          |                          |
| mode-set          | C              | 1 | 0      | - <sup>[1]</sup> | E | B      | M[1:0]  |   | <a href="#">Table 11</a> |                          |
| load-data-pointer | C              | 0 | P[5:0] |                  |   |        |         |   |                          | <a href="#">Table 12</a> |
| device-select     | C              | 1 | 1      | 0                | 0 | A[2:0] |         |   | <a href="#">Table 13</a> |                          |
| bank-select       | C              | 1 | 1      | 1                | 1 | 0      | I       | O | <a href="#">Table 14</a> |                          |
| blink-select      | C              | 1 | 1      | 1                | 0 | AB     | BF[1:0] |   | <a href="#">Table 15</a> |                          |

[1] Not used.

All available commands carry a continuation bit C in their most significant bit position as shown in [Figure 19](#). When this bit is set logic 1, it indicates that the next byte of the transfer to arrive will also represent a command. If this bit is set logic 0, it indicates that the command byte is the last in the transfer. Further bytes will be regarded as display data (see [Table 10](#)).

Table 10. C bit description

| Bit | Symbol | Value | Description   |
|-----|--------|-------|---|
| 7   | C      |       | <b>continue bit</b>   |
|     |        | 0     | last control byte in the transfer; next byte will be regarded as display data |
|     |        | 1     | control bytes continue; next byte will be a command too                       |

Table 11. Mode-set command bit description

| Bit  | Symbol | Value            | Description                                  |
|------|--------|------------------|--|
| 7    | C      | 0, 1             | see <a href="#">Table 10</a>                 |
| 6, 5 | -      | 10               | fixed value                                  |
| 4    | -      | -                | unused                                       |
| 3    | E      |                  | <b>display status</b> <sup>[1]</sup>         |
|      |        | 0 <sup>[2]</sup> | disabled (blank) <sup>[3]</sup>              |
|      |        | 1                | enabled                                      |
| 2    | B      |                  | <b>LCD bias configuration</b> <sup>[4]</sup> |

Table 11. Mode-set command bit description...continued

| Bit    | Symbol | Value             | Description                       |
|--------|--------|-------------------|-----------------------------------|
|        |        | 0 <sup>[2]</sup>  | 1/3 bias                          |
|        |        | 1                 | 1/2 bias                          |
| 1 to 0 | M[1:0] |                   | <b>LCD drive mode selection</b>   |
|        |        | 01                | static; BP0                       |
|        |        | 10                | 1:2 multiplex; BP0, BP1           |
|        |        | 11                | 1:3 multiplex; BP0, BP1, BP2      |
|        |        | 00 <sup>[2]</sup> | 1:4 multiplex; BP0, BP1, BP2, BP3 |

- [1] The possibility to disable the display allows implementation of blinking under external control.
- [2] Default value.
- [3] The display is disabled by setting all backplane and segment outputs to V<sub>LCD</sub>.
- [4] Not applicable for static drive mode.

Table 12. Load-data-pointer command bit description

See [Section 6.10.1](#).

| Bit    | Symbol | Value                           | Description   |
|--------|--------|---------------------------------|---|
| 7      | C      | 0, 1                            | see <a href="#">Table 10</a>  |
| 6      | -      | 0                               | fixed value   |
| 5 to 0 | P[5:0] | 000000 <sup>[1]</sup> to 100111 | 6 bit binary value, 0 to 39; transferred to the data pointer to define one of forty display RAM addresses |

- [1] Default value.

Table 13. Device-select command bit description

See [Section 6.10.2](#).

| Bit    | Symbol | Value                     | Description  |
|--------|--------|---------------------------|--|
| 7      | C      | 0, 1                      | see <a href="#">Table 10</a>   |
| 6 to 3 | -      | 1100                      | fixed value  |
| 2 to 0 | A[2:0] | 000 <sup>[1]</sup> to 111 | 3 bit binary value, 0 to 7; transferred to the subaddress counter to define one of eight hardware subaddresses |

- [1] Default value.

Table 14. Bank-select command bit description

See [Section 6.10.5](#) and [Section 6.10.6](#).

| Bit    | Symbol | Value | Description  |                              |
|--------|--------|-------|--|------------------------------|
|        |        |       | Static   | 1:2 multiplex <sup>[1]</sup> |
| 7      | C      | 0, 1  | see <a href="#">Table 10</a>                                   |                              |
| 6 to 2 | -      | 11110 | fixed value  |                              |
| 1      | I      |       | <b>input bank selection</b> ; storage of arriving display data |                              |

**Table 14. Bank-select command bit description...continued**

See [Section 6.10.5](#) and [Section 6.10.6](#).

| Bit | Symbol | Value            | Description  |                              |
|-----|--------|------------------|--|------------------------------|
|     |        |                  | Static   | 1:2 multiplex <sup>[1]</sup> |
|     |        | 0 <sup>[2]</sup> | RAM row 0  | RAM rows 0 and 1             |
|     |        | 1                | RAM row 2  | RAM rows 2 and 3             |
| 0   | O      |                  | <b>output bank selection</b> ; retrieval of LCD display data |                              |
|     |        | 0 <sup>[2]</sup> | RAM row 0  | RAM rows 0 and 1             |
|     |        | 1                | RAM row 2  | RAM rows 2 and 3             |

[1] The bank-select command has no effect in 1:3 and 1:4 multiplex drive modes.

[2] Default value.

**Table 15. Blink-select command bit description**

See [Section 6.11](#).

| Bit    | Symbol  | Value             | Description                                |
|--------|---------|-------------------|--|
| 7      | C       | 0, 1              | see <a href="#">Table 10</a>               |
| 6 to 3 | -       | 1110              | fixed value                                |
| 2      | AB      |                   | <b>blink mode selection</b>                |
|        |         | 0 <sup>[1]</sup>  | normal blinking <sup>[2]</sup>             |
|        |         | 1                 | alternate RAM bank blinking <sup>[3]</sup> |
| 1 to 0 | BF[1:0] |                   | <b>blink frequency selection</b>           |
|        |         | 00 <sup>[1]</sup> | off  |
|        |         | 01                | 1  |
|        |         | 10                | 2  |
|        |         | 11                | 3  |

[1] Default value.

[2] Normal blinking is assumed when the LCD multiplex drive modes 1:3 or 1:4 are selected.

[3] Alternate RAM bank blinking does not apply in 1:3 and 1:4 multiplex drive modes.

### 6.13 Display controller

The display controller executes the commands identified by the command decoder. It contains the device's status registers and coordinates their effects. The display controller is also responsible for loading display data into the display RAM in the correct filling order.

## 7 Characteristics of the I<sup>2</sup>C-bus

The I<sup>2</sup>C-bus is for bidirectional, two-line communication between different ICs or modules. The two lines are a Serial DATA line (SDA) and a Serial CLOCK line (SCL). Both lines must be connected to a positive supply via a pull-up resistor when connected to the output stages of a device. Data transfer may be initiated only when the bus is not busy.



7.1 Bit transfer

One data bit is transferred during each clock pulse. The data on the SDA line must remain stable during the HIGH period of the clock pulse as changes in the data line at this time will be interpreted as a control signal (see [Figure 14](#)).

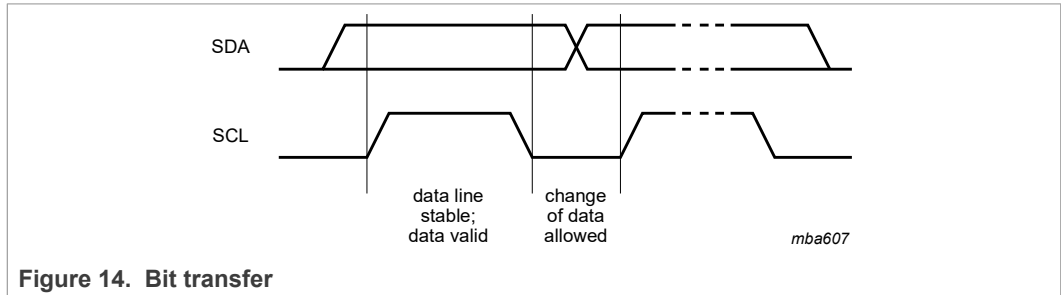


Figure 14. Bit transfer

7.2 START and STOP conditions

Both data and clock lines remain HIGH when the bus is not busy.

A HIGH-to-LOW transition of the data line while the clock is HIGH is defined as the START condition - S.

A LOW-to-HIGH transition of the data line while the clock is HIGH is defined as the STOP condition - P.

The START and STOP conditions are illustrated in [Figure 15](#).

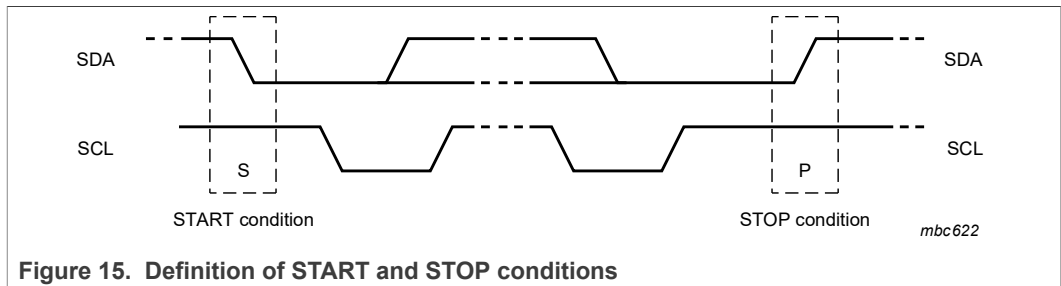


Figure 15. Definition of START and STOP conditions

7.3 System configuration

A device generating a message is a transmitter, a device receiving a message is the receiver. The device that controls the message is the controller and the devices which are controlled by the controller are the targets. The system configuration is shown in [Figure 16](#).

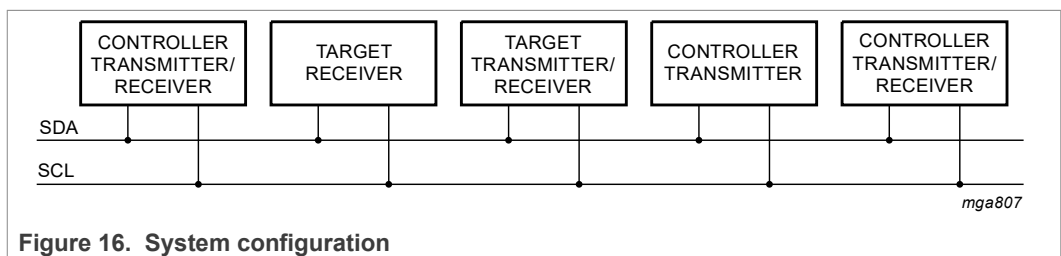


Figure 16. System configuration

### 7.4 Acknowledge

The number of data bytes transferred between the START and STOP conditions from transmitter to receiver is unlimited. Each byte of eight bits is followed by an acknowledge cycle.

- A target receiver, which is addressed, must generate an acknowledge after the reception of each byte.
- A controller receiver must generate an acknowledge after the reception of each byte that has been clocked out of the target transmitter.
- The device that acknowledges must pull-down the SDA line during the acknowledge clock pulse, so that the SDA line is stable LOW during the HIGH period of the acknowledge related clock pulse (set-up and hold times must be taken into consideration).
- A controller receiver must signal an end of data to the transmitter by not generating an acknowledge on the last byte that has been clocked out of the target. In this event, the transmitter must leave the data line HIGH to enable the controller to generate a STOP condition.

Acknowledgement on the I<sup>2</sup>C-bus is illustrated in [Figure 17](#).

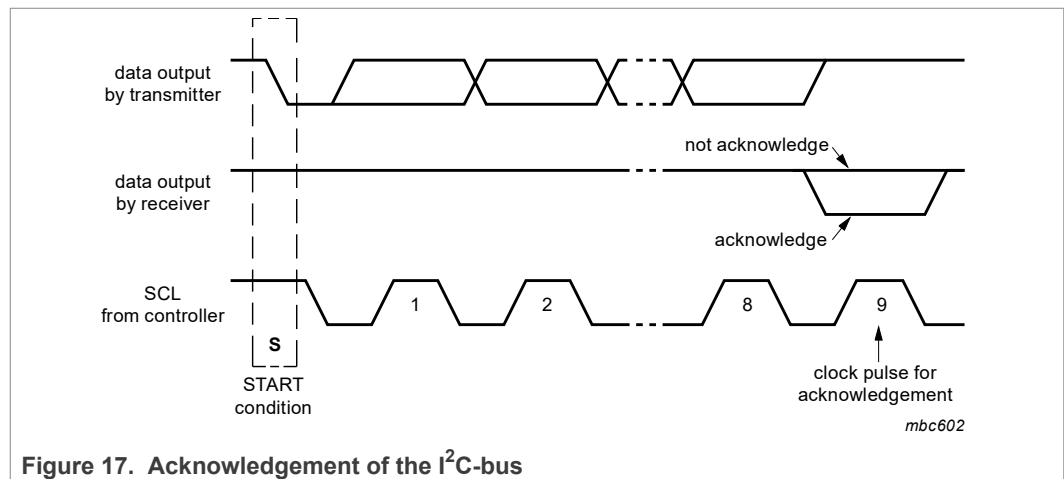


Figure 17. Acknowledgement of the I<sup>2</sup>C-bus

### 7.5 I<sup>2</sup>C-bus controller

The PCF8576D acts as an I<sup>2</sup>C-bus target receiver. It does not initiate I<sup>2</sup>C-bus transfers or transmit data to an I<sup>2</sup>C-bus controller receiver. The only data output from the PCF8576D are the acknowledge signals of the selected devices. Device selection depends on the I<sup>2</sup>C-bus target address, on the transferred command data and on the hardware subaddress.

In single device applications, the hardware subaddress inputs A0, A1, and A2 are normally tied to V<sub>SS</sub> which defines the hardware subaddress 0. In multiple device applications A0, A1, and A2 are tied to V<sub>SS</sub> or V<sub>DD</sub> using a binary coding scheme, so that no two devices with a common I<sup>2</sup>C-bus target address have the same hardware subaddress.

7.6 Input filters

To enhance noise immunity in electrically adverse environments, RC low-pass filters are provided on the SDA and SCL lines.

7.7 I<sup>2</sup>C-bus protocol

Two I<sup>2</sup>C-bus target addresses (0111 000 and 0111 001) are used to address the PCF8576D. The entire I<sup>2</sup>C-bus target address byte is shown in Table 16.

Table 16. I<sup>2</sup>C controller address byte

|     |     | controller address |   |   |   |   |     |     |  |
|-----|-----|--------------------|---|---|---|---|-----|-----|--|
| Bit | 7   | 6                  | 5 | 4 | 3 | 2 | 1   | 0   |  |
|     | MSB |                    |   |   |   |   |     | LSB |  |
|     | 0   | 1                  | 1 | 1 | 0 | 0 | SA0 | R/W |  |

The PCF8576D is a write-only device and will not respond to a read access, therefore bit 0 should always be logic 0. Bit 1 of the target address byte that a PCF8576D will respond to, is defined by the level tied to its SA0 input (V<sub>SS</sub> for logic 0 and V<sub>DD</sub> for logic 1).

Having two reserved target addresses allows the following on the same I<sup>2</sup>C-bus:

- Up to 16 PCF8576D for very large LCD applications
- The use of two types of LCD multiplex drive

The I<sup>2</sup>C-bus protocol is shown in Figure 18. The sequence is initiated with a START condition (S) from the I<sup>2</sup>C-bus controller which is followed by one of two possible PCF8576D target addresses available. All PCF8576Ds whose SA0 inputs correspond to bit 0 of the target address respond by asserting an acknowledge in parallel. This I<sup>2</sup>C-bus transfer is ignored by all PCF8576Ds whose SA0 inputs are set to the alternative level.

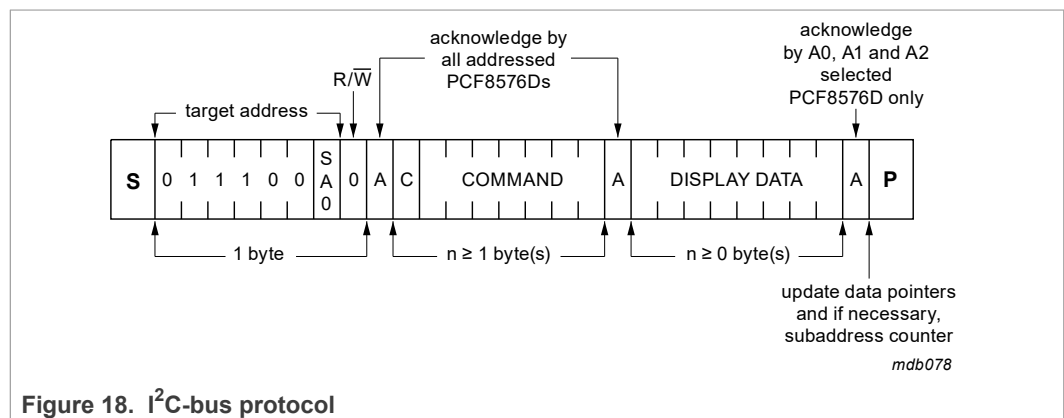


Figure 18. I<sup>2</sup>C-bus protocol

After an acknowledgement, one or more command bytes follow, that define the status of each addressed PCF8576D.

The last command byte sent is identified by resetting its most significant bit, continuation bit C, (see Figure 19). The command bytes are also acknowledged by all addressed PCF8576D on the bus.

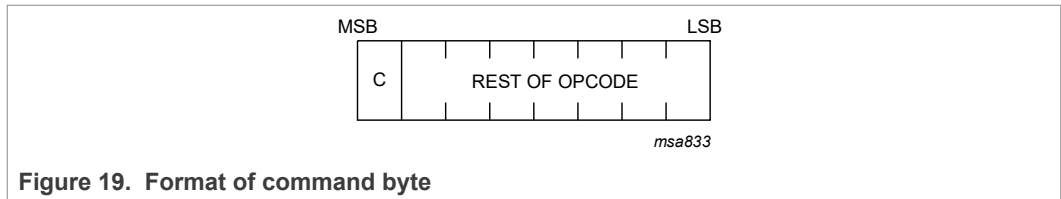
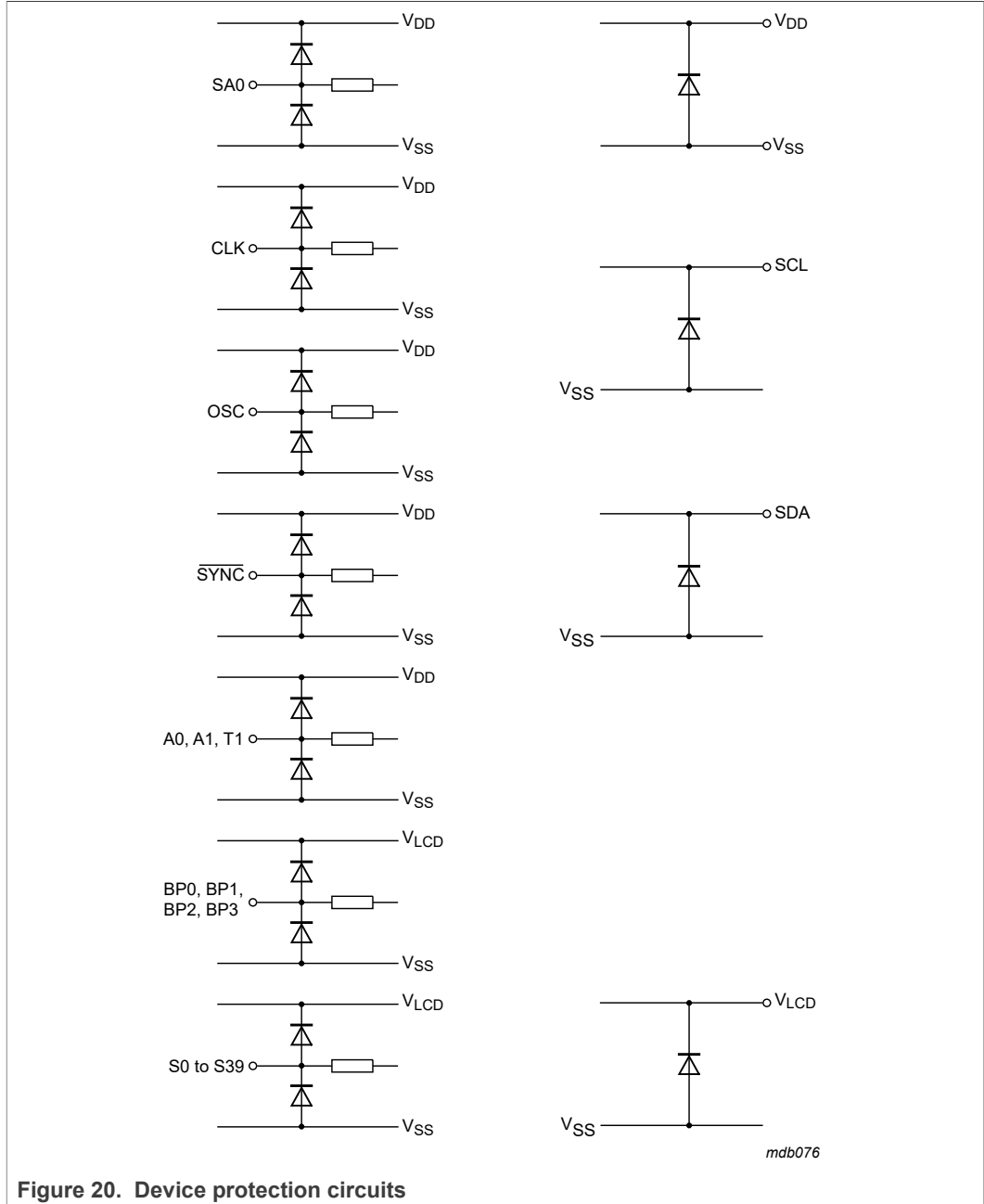


Figure 19. Format of command byte

After the last command byte, one or more display data bytes may follow. Display data bytes are stored in the display RAM at the address specified by the data pointer and the subaddress counter. Both data pointer and subaddress counter are automatically updated and the data directed to the intended PCF8576D device.


An acknowledgement after each byte is asserted only by the PCF8576Ds that are addressed via address lines A0, A1, and A2. After the last display byte, the I<sup>2</sup>C-bus controller asserts a STOP condition (P). Alternately a START may be asserted to restart an I<sup>2</sup>C-bus access.

### 8 Internal circuitry



### 9 Safety notes

**CAUTION**



This device is sensitive to ElectroStatic Discharge (ESD). Observe precautions for handling electrostatic sensitive devices. Such precautions are described in the *ANSI/ESD S20.20*, *IEC/ST 61340-5*, *JESD625-A* or equivalent standards.

## CAUTION



Static voltages across the liquid crystal display can build up when the LCD supply voltage ( $V_{LCD}$ ) is on while the IC supply voltage ( $V_{DD}$ ) is off, or vice versa. This may cause unwanted display artifacts. To avoid such artifacts,  $V_{LCD}$  and  $V_{DD}$  must be applied or removed together.

## CAUTION



Semiconductors are light sensitive. Exposure to light sources can cause the IC to malfunction. The IC must be protected against light. The protection must be applied to all sides of the IC.

## 10 Limiting values

Table 17. Limiting values

In accordance with the Absolute Maximum Rating System (IEC 60134).

| Symbol        | Parameter                       | Conditions  | Min  | Max  | Unit   |    |
|---------------|---------------------------------|---|------|------|--------|----|
| $V_{DD}$      | supply voltage                  |   | -0.5 | +6.5 | V      |    |
| $V_{LCD}$     | LCD supply voltage              |   | -0.5 | +7.5 | V      |    |
| $V_I$         | input voltage                   | on each of the pins CLK, SDA, SCL, $\overline{SYNC}$ , SA0, OSC, A0 to A2 | -0.5 | +6.5 | V      |    |
| $V_O$         | output voltage                  | on each of the pins S0 to S39, BP0 to BP3                                 | -0.5 | +7.5 | V      |    |
| $I_I$         | input current                   |   | -10  | +10  | mA     |    |
| $I_O$         | output current                  |   | -10  | +10  | mA     |    |
| $I_{DD}$      | supply current                  |   | -50  | +50  | mA     |    |
| $I_{DD(LCD)}$ | LCD supply current              |   | -50  | +50  | mA     |    |
| $I_{SS}$      | ground supply current           |   | -50  | +50  | mA     |    |
| $P_{tot}$     | total power dissipation         |   | -    | 400  | mW     |    |
| $P_o$         | output power                    |   | -    | 100  | mW     |    |
| $V_{ESD}$     | electrostatic discharge voltage | HBM   | [1]  | -    | ±5 000 | V  |
|               |                                 | MM  | [2]  | -    | ±200   | V  |
|               |                                 | CDM   | [3]  | -    | ±1 500 | V  |
| $I_{lu}$      | latch-up current                |   | [4]  | -    | 200    | mA |
| $T_{stg}$     | storage temperature             |   | [5]  | -65  | +150   | °C |
| $T_{amb}$     | ambient temperature             | operating device  |      | -40  | +85    | °C |

[1] Pass level; Human Body Model (HBM) according to [1].

[2] Pass level; Machine Model (MM), according to [2].

[3] Pass level; Charged-Device Model (CDM), according to [3].

[4] Pass level; latch-up testing according to [4] at maximum ambient temperature ( $T_{amb(max)}$ ).

[5] According to the store and transport requirements (see [6]) the devices have to be stored at a temperature of +8 °C to +45 °C and a humidity of 25 % to 75 %.

## 11 Static characteristics

**Table 18. Static characteristics**
 $V_{DD} = 1.8 \text{ V to } 5.5 \text{ V}; V_{SS} = 0 \text{ V}; V_{LCD} = 2.5 \text{ V to } 6.5 \text{ V}; T_{amb} = -40 \text{ }^{\circ}\text{C to } +85 \text{ }^{\circ}\text{C};$  unless otherwise specified.

| Symbol                      | Parameter                            | Conditions   | Min                | Typ | Max         | Unit          |
|-----------------------------|--------------------------------------|--|--------------------|-----|-------------|---------------|
| <b>Supplies</b>             |                                      |  |                    |     |             |               |
| $V_{DD}$                    | supply voltage                       |  | 1.8                | -   | 5.5         | V             |
| $V_{LCD}$                   | LCD supply voltage                   |  | [1] 2.5            | -   | 6.5         | V             |
| $I_{DD}$                    | supply current                       | $f_{clk(ext)} = 1536 \text{ Hz}$   | [2] -              | 3.5 | 7           | $\mu\text{A}$ |
|                             |                                      | $V_{DD} = 3.0 \text{ V}; T_{amb} = 25 \text{ }^{\circ}\text{C}$          | -                  | 2.7 | -           | $\mu\text{A}$ |
| $I_{DD(LCD)}$               | LCD supply current                   | $f_{clk(ext)} = 1536 \text{ Hz}$   | [2] -              | 23  | 32          | $\mu\text{A}$ |
|                             |                                      | $V_{DD(LCD)} = 3.0 \text{ V}; T_{amb} = 25 \text{ }^{\circ}\text{C}$     | -                  | 13  | -           | $\mu\text{A}$ |
| <b>Logic</b> <sup>[3]</sup> |                                      |  |                    |     |             |               |
| $V_{P(POR)}$                | power-on reset supply voltage        |  | 1.0                | 1.3 | 1.6         | V             |
| $V_{IL}$                    | LOW-level input voltage              | on pins CLK, $\overline{\text{SYNC}}$ , OSC, A0 to A2, SA0, SCL, SDA     | $V_{SS}$           | -   | $0.3V_{DD}$ | V             |
| $V_{IH}$                    | HIGH-level input voltage             | on pins CLK, $\overline{\text{SYNC}}$ , OSC, A0 to A2, SA0, SCL, SDA     | [4][5] $0.7V_{DD}$ | -   | $V_{DD}$    | V             |
| $I_{OL}$                    | LOW-level output current             | output sink current;<br>$V_{OL} = 0.4 \text{ V}; V_{DD} = 5 \text{ V}$   |                    |     |             |               |
|                             |                                      | on pins CLK and $\overline{\text{SYNC}}$                                 | 1                  | -   | -           | mA            |
|                             |                                      | on pin SDA   | 3                  | -   | -           | mA            |
| $I_{OH(CLK)}$               | HIGH-level output current on pin CLK | output source current;<br>$V_{OH} = 4.6 \text{ V}; V_{DD} = 5 \text{ V}$ | 1                  | -   | -           | mA            |
| $I_L$                       | leakage current                      | $V_I = V_{DD}$ or $V_{SS}$ ;<br>on pins CLK, SCL, SDA, A0 to A2 and SA0  | -1                 | -   | +1          | $\mu\text{A}$ |
| $I_{L(OSC)}$                | leakage current on pin OSC           | $V_I = V_{DD}$   | -1                 | -   | +1          | $\mu\text{A}$ |
| $C_I$                       | input capacitance                    |  | [6] -              | -   | 7           | pF            |
| <b>LCD outputs</b>          |                                      |  |                    |     |             |               |
| $\Delta V_O$                | output voltage variation             | on pins BP0 to BP3 and S0 to S39   | -100               | -   | +100        | mV            |
| $R_O$                       | output resistance                    | $V_{LCD} = 5 \text{ V}$  | [7]                |     |             |               |
|                             |                                      | on pins BP0 to BP3   | -                  | 1.5 | -           | k $\Omega$    |
|                             |                                      | on pins S0 to S39  | -                  | 6.0 | -           | k $\Omega$    |

[1]  $V_{LCD} > 3 \text{ V}$  for  $\frac{1}{3}$  bias.

[2] LCD outputs are open-circuit; inputs at  $V_{SS}$  or  $V_{DD}$ ; external clock with 50 % duty factor; I<sup>2</sup>C-bus inactive.

[3] The I<sup>2</sup>C-bus interface of PCF8576D is 5 V tolerant.

[4] When tested, I<sup>2</sup>C pins SCL and SDA have no diode to  $V_{DD}$  and may be driven to the  $V_I$  limiting values given in [Table 17](#).

[5] Propagation delay of driver between clock (CLK) and LCD driving signals.

[6] Periodically sampled, not 100 % tested.

[7] Outputs measured one at a time.

## 12 Dynamic characteristics

**Table 19. Dynamic characteristics**

$V_{DD} = 1.8\text{ V to }5.5\text{ V}$ ;  $V_{SS} = 0\text{ V}$ ;  $V_{LCD} = 2.5\text{ V to }6.5\text{ V}$ ;  $T_{amb} = -40\text{ °C to }+85\text{ °C}$ ; unless otherwise specified.

| Symbol                     | Parameter  | Conditions                        | Min      | Typ  | Max  | Unit          |
|----------------------------|--|-----------------------------------|----------|------|------|---------------|
| <b>Clock</b>               |  |                                   |          |      |      |               |
| $f_{\text{clk(int)}}$      | internal clock frequency                         |                                   | [1] 1440 | 1850 | 2640 | Hz            |
| $f_{\text{clk(ext)}}$      | external clock frequency                         |                                   | 960      | -    | 2640 | Hz            |
| $t_{\text{clk(H)}}$        | HIGH-level clock time                            |                                   | 60       | -    | -    | $\mu\text{s}$ |
| $t_{\text{clk(L)}}$        | LOW-level clock time                             |                                   | 60       | -    | -    | $\mu\text{s}$ |
| <b>Synchronization</b>     |  |                                   |          |      |      |               |
| $t_{\text{PD(SYNC\_N)}}$   | $\overline{\text{SYNC}}$ propagation delay       |                                   | -        | 30   | -    | ns            |
| $t_{\text{SYNC\_NL}}$      | $\overline{\text{SYNC}}$ LOW time                |                                   | 1        | -    | -    | $\mu\text{s}$ |
| $t_{\text{PD(drv)}}$       | driver propagation delay                         | $V_{\text{LCD}} = 5\text{ V}$     | [2] -    | -    | 30   | $\mu\text{s}$ |
| $I^2C$ -bus <sup>[3]</sup> |  |                                   |          |      |      |               |
| Pin SCL                    |  |                                   |          |      |      |               |
| $f_{\text{SCL}}$           | SCL clock frequency                              |                                   | -        | -    | 400  | kHz           |
| $t_{\text{LOW}}$           | LOW period of the SCL clock                      |                                   | 1.3      | -    | -    | $\mu\text{s}$ |
| $t_{\text{HIGH}}$          | HIGH period of the SCL clock                     |                                   | 0.6      | -    | -    | $\mu\text{s}$ |
| Pin SDA                    |  |                                   |          |      |      |               |
| $t_{\text{SU;DAT}}$        | data set-up time                                 |                                   | 100      | -    | -    | ns            |
| $t_{\text{HD;DAT}}$        | data hold time                                   |                                   | 0        | -    | -    | ns            |
| Pins SCL and SDA           |  |                                   |          |      |      |               |
| $t_{\text{BUF}}$           | bus free time between a STOP and START condition |                                   | 1.3      | -    | -    | $\mu\text{s}$ |
| $t_{\text{SU;STO}}$        | set-up time for STOP condition                   |                                   | 0.6      | -    | -    | $\mu\text{s}$ |
| $t_{\text{HD;STA}}$        | hold time (repeated) START condition             |                                   | 0.6      | -    | -    | $\mu\text{s}$ |
| $t_{\text{SU;STA}}$        | set-up time for a repeated START condition       |                                   | 0.6      | -    | -    | $\mu\text{s}$ |
| $t_{\text{r}}$             | rise time of both SDA and SCL signals            | $f_{\text{SCL}} = 400\text{ kHz}$ | -        | -    | 0.3  | $\mu\text{s}$ |
|                            |  | $f_{\text{SCL}} < 125\text{ kHz}$ | -        | -    | 1.0  | $\mu\text{s}$ |
| $t_{\text{f}}$             | fall time of both SDA and SCL signals            |                                   | -        | -    | 0.3  | $\mu\text{s}$ |
| $C_{\text{b}}$             | capacitive load for each bus line                |                                   | -        | -    | 400  | pF            |



Table 19. Dynamic characteristics...continued

$V_{DD} = 1.8\text{ V to }5.5\text{ V}$ ;  $V_{SS} = 0\text{ V}$ ;  $V_{LCD} = 2.5\text{ V to }6.5\text{ V}$ ;  $T_{amb} = -40\text{ }^{\circ}\text{C to }+85\text{ }^{\circ}\text{C}$ ; unless otherwise specified.

| Symbol                | Parameter         | Conditions                  | Min | Typ | Max | Unit |
|-----------------------|-------------------|-----------------------------|-----|-----|-----|------|
| $t_{w(\text{spike})}$ | spike pulse width | on the I <sup>2</sup> C-bus | -   | -   | 50  | ns   |

- [1] Typical output duty factor: 50 % measured at the CLK output pin.
- [2] Not tested in production.
- [3] All timing values are valid within the operating supply voltage and ambient temperature range and are referenced to  $V_{IL}$  and  $V_{IH}$  with an input voltage swing of  $V_{SS}$  to  $V_{DD}$ .

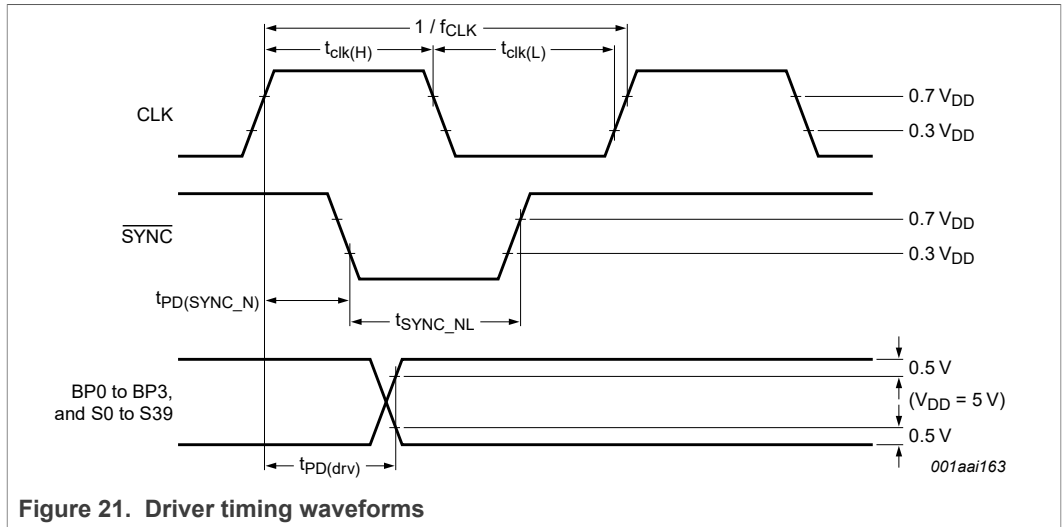


Figure 21. Driver timing waveforms

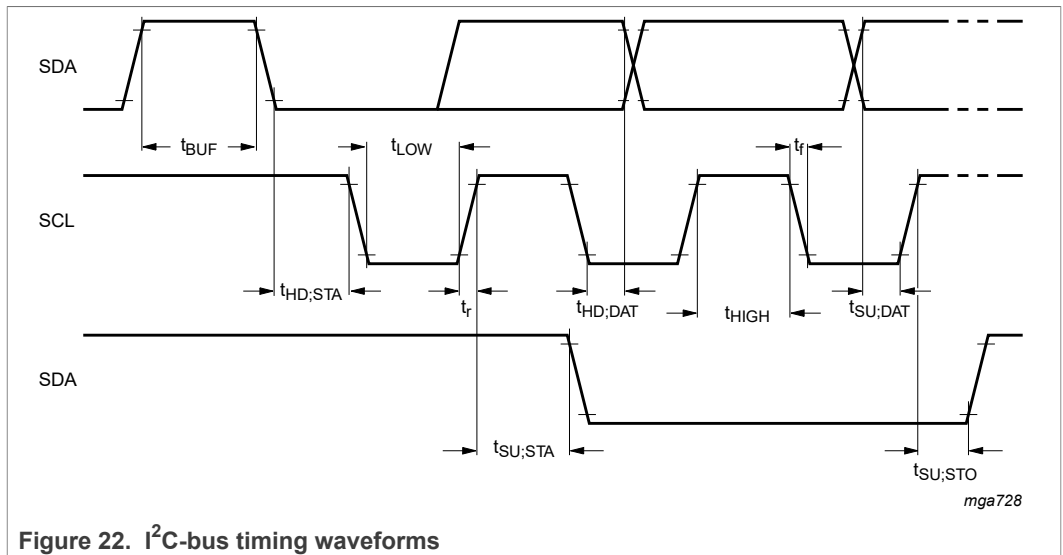


Figure 22. I<sup>2</sup>C-bus timing waveforms

## 13 Application information

### 13.1 Cascaded operation

In large display configurations, up to 16 PCF8576Ds can be differentiated on the same I<sup>2</sup>C-bus by using the 3-bit hardware subaddresses (A0, A1 and A2) and the programmable I<sup>2</sup>C-bus target address (SA0).

Table 20. Addressing cascaded PCF8576D

| Cluster | Bit SA0 | Pin A2 | Pin A1 | Pin A0 | Device |
|---------|---------|--------|--------|--------|--------|
| 1       | 0       | 0      | 0      | 0      | 0      |
|         |         | 0      | 0      | 1      | 1      |
|         |         | 0      | 1      | 0      | 2      |
|         |         | 0      | 1      | 1      | 3      |
|         |         | 1      | 0      | 0      | 4      |
|         |         | 1      | 0      | 1      | 5      |
|         |         | 1      | 1      | 0      | 6      |
|         |         | 1      | 1      | 1      | 7      |
| 2       | 1       | 0      | 0      | 0      | 8      |
|         |         | 0      | 0      | 1      | 9      |
|         |         | 0      | 1      | 0      | 10     |
|         |         | 0      | 1      | 1      | 11     |
|         |         | 1      | 0      | 0      | 12     |
|         |         | 1      | 0      | 1      | 13     |
|         |         | 1      | 1      | 0      | 14     |
|         |         | 1      | 1      | 1      | 15     |

PCF8576Ds connected in cascade are synchronized to allow the backplane signals from only one device in the cascade to be shared. This arrangement is cost-effective in large LCD applications since the backplane outputs of only one device need to be through-plated to the backplane electrodes of the display. The other PCF8576D of the cascade contribute additional segment outputs. The backplanes can either be connected together to enhance the drive capability or some can be left open-circuit (such as the ones from the target in [Figure 23](#)) or just some of the controller and some of the target will be taken to facilitate the layout of the display.

All PCF8576Ds connected in cascade are correctly synchronized by the  $\overline{\text{SYNC}}$  signal. This synchronization is guaranteed after the power-on reset. The only time that  $\overline{\text{SYNC}}$  is likely to be needed is if synchronization is lost accidentally, for example, by noise in adverse electrical environments, or if the LCD multiplex drive mode is changed in an application using several cascaded PCF8576Ds, as the drive mode cannot be changed on all of the cascaded devices simultaneously.  $\overline{\text{SYNC}}$  can be either an input or an output signal; a  $\overline{\text{SYNC}}$  output is implemented as an open-drain driver with an internal pull-up resistor. The PCF8576D asserts  $\overline{\text{SYNC}}$  at the start of its last active backplane signal and monitors the  $\overline{\text{SYNC}}$  line at all other times. If cascade synchronization is lost, it is restored

by the first PCF8576D to assert  $\overline{\text{SYNC}}$ . The timing relationship between the backplane waveforms and the  $\overline{\text{SYNC}}$  signal for each LCD drive mode is shown in [Figure 24](#).

The contact resistance between the  $\overline{\text{SYNC}}$  on each cascaded device must be controlled. If the resistance is too high, the device is not able to synchronize properly; this is particularly applicable to chip-on-glass applications. The maximum  $\overline{\text{SYNC}}$  contact resistance allowed for the number of devices in cascade is given in [Table 21](#).

Table 21.  $\overline{\text{SYNC}}$  contact resistance

| Number of devices | Maximum contact resistance |
|-------------------|----------------------------|
| 2                 | 6 kΩ                       |
| 3 to 5            | 2.2 kΩ                     |
| 6 to 10           | 1.2 kΩ                     |
| 10 to 16          | 700 Ω                      |

The PCF8576D can be cascaded with the PCF8562. This allows optimal drive selection for a given number of pixels to display. [Figure 21](#) and [Figure 22](#) show the timing of the synchronization signals.

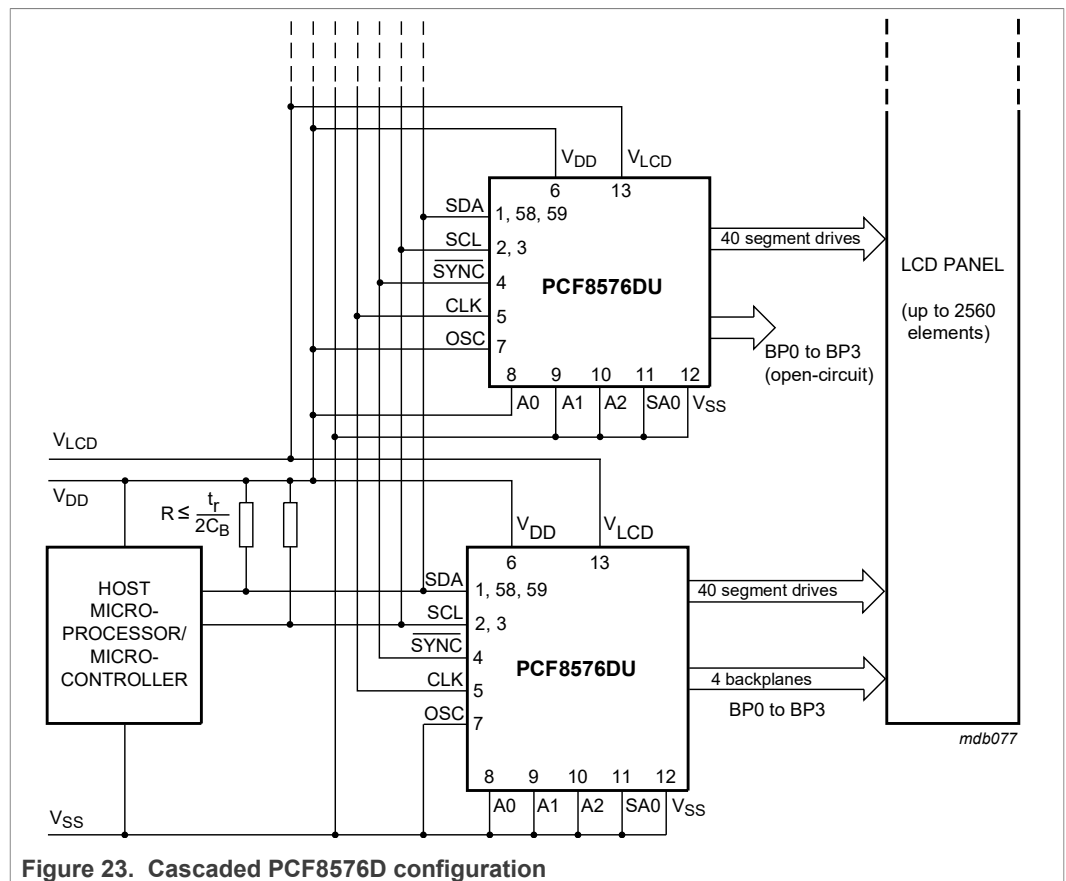


Figure 23. Cascaded PCF8576D configuration

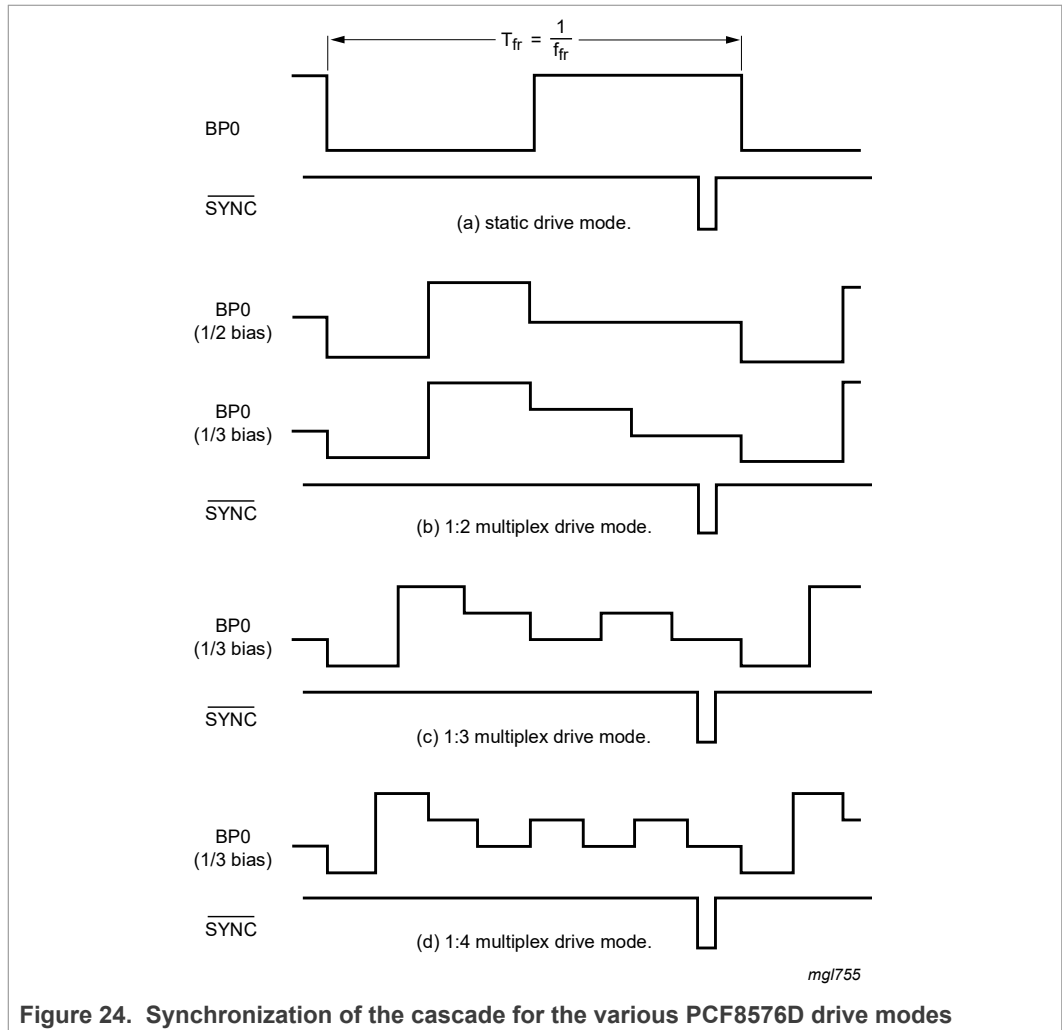


Figure 24. Synchronization of the cascade for the various PCF8576D drive modes

## 14 Test information

The following quality information corresponds with the product type: PCF8576DT/S400/2

### 14.1 Quality information

This product has been qualified in accordance with the Automotive Electronics Council (AEC) standard Q100 - *Failure mechanism based stress test qualification for integrated circuits*, and is suitable for use in automotive applications.

### 15 Package outline

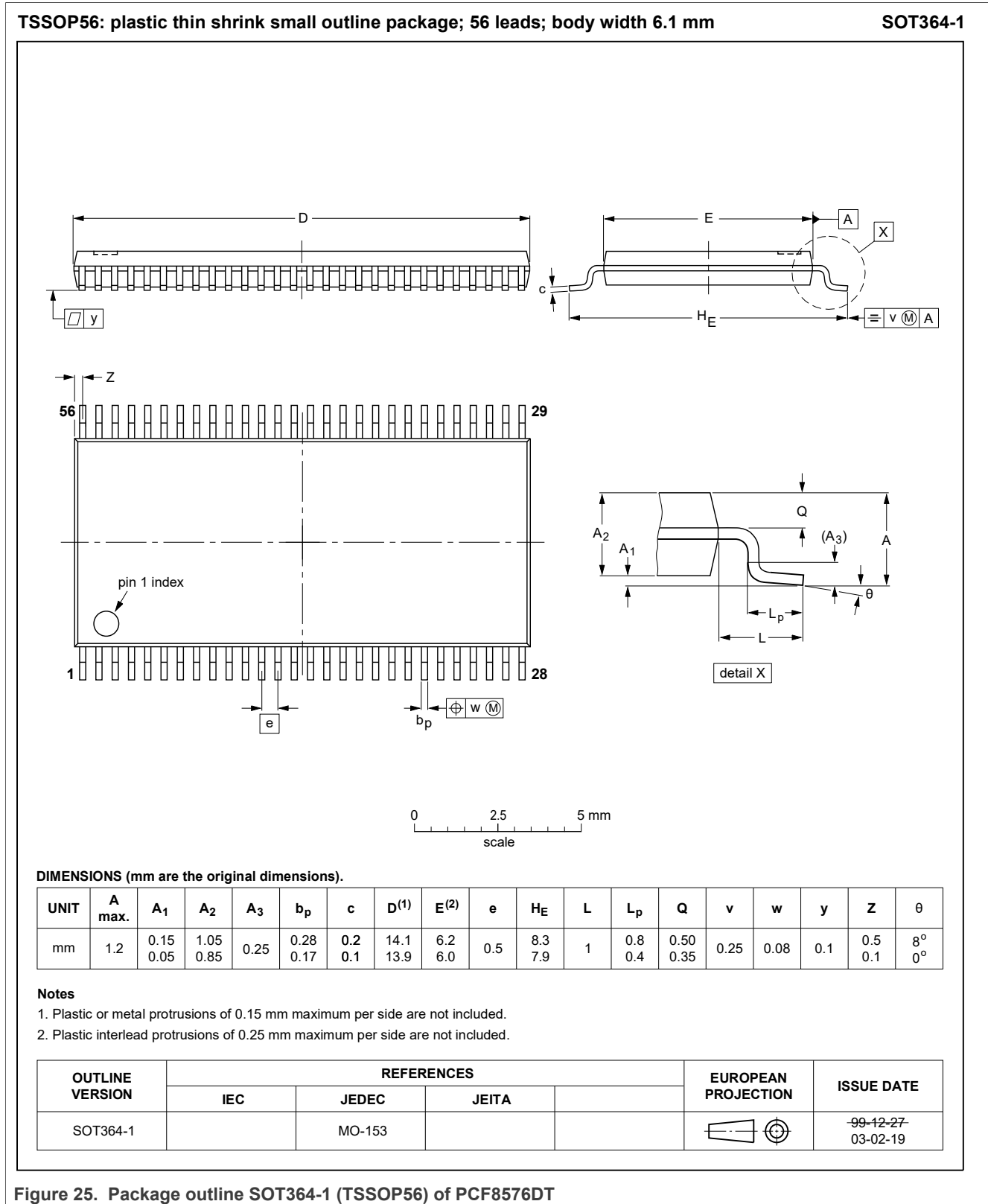
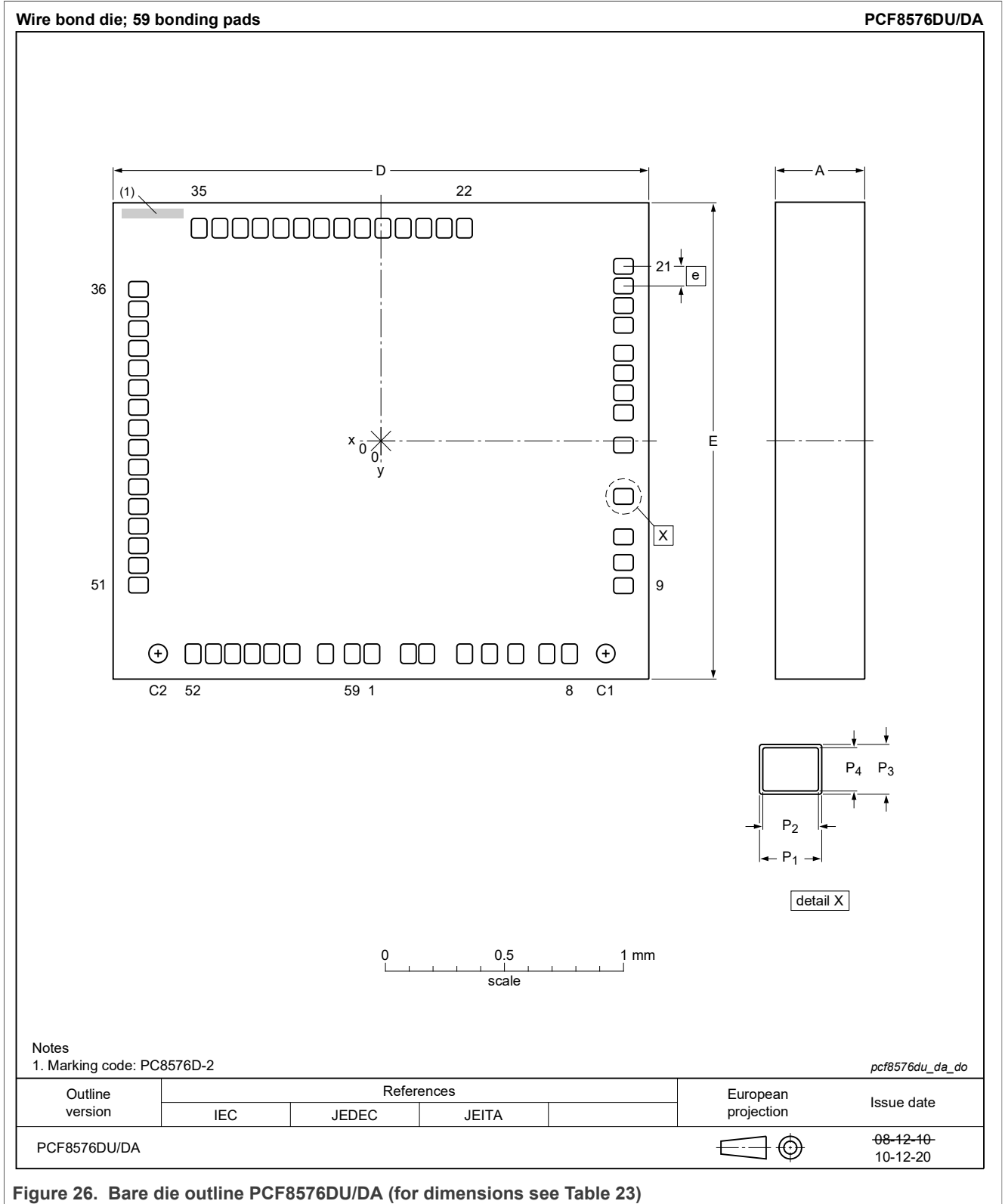


Figure 25. Package outline SOT364-1 (TSSOP56) of PCF8576DT

16 Bare die outline



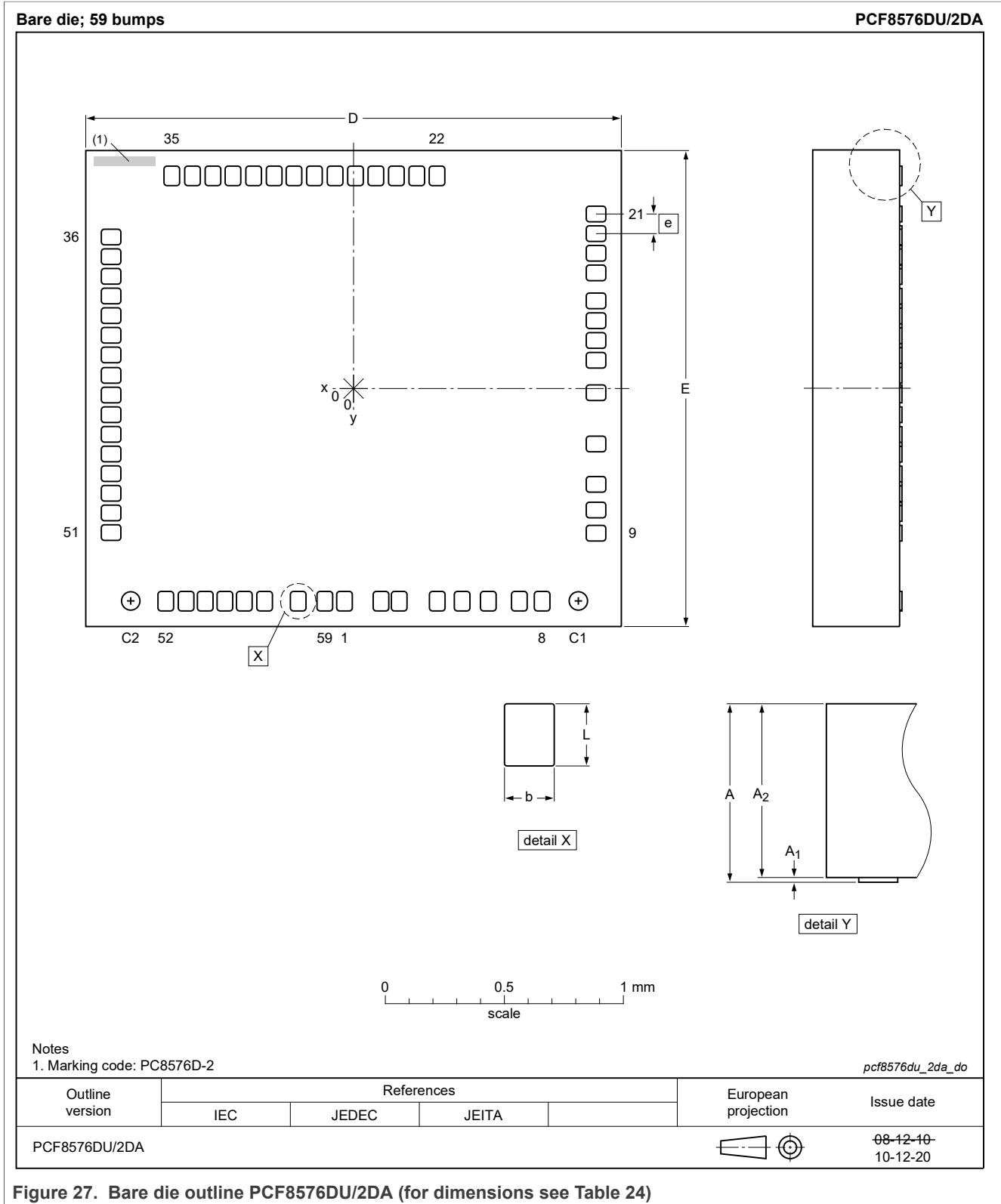


Figure 27. Bare die outline PCF8576DU/2DA (for dimensions see Table 24)

**Table 22. Dimensions of PCF8576DU/DA**

Original dimensions are in mm.

| Unit (mm) | A    | D   | E   | e <sup>[1]</sup> | P <sub>1</sub> <sup>[2]</sup> | P <sub>2</sub> <sup>[3]</sup> | P <sub>3</sub> <sup>[2]</sup> | P <sub>4</sub> <sup>[3]</sup> |
|-----------|------|-----|-----|------------------|-------------------------------|-------------------------------|-------------------------------|-------------------------------|
| max       | -    | -   | -   | -                | -                             | -                             | -                             | -                             |
| nom       | 0.38 | 2.2 | 2.0 | -                | 0.09                          | 0.08                          | 0.066                         | 0.056                         |
| min       | -    | -   | -   | 0.072            | -                             | -                             | -                             | -                             |

[1] Dimension not drawn to scale.

[2] Pad size.

[3] Passivation opening.

**Table 23. Dimensions of PCF8576DU/2DA**

Original dimensions are in mm.

| Unit (mm) | A    | A <sub>1</sub> | A <sub>2</sub> | b     | D   | E   | e <sup>[1]</sup> | L     |
|-----------|------|----------------|----------------|-------|-----|-----|------------------|-------|
| max       | -    | 0.012          | -              | -     | -   | -   | -                | -     |
| nom       | 0.40 | 0.015          | 0.381          | 0.052 | 2.2 | 2.0 | -                | 0.077 |
| min       | -    | 0.018          | -              | -     | -   | -   | 0.072            | -     |

[1] Dimension not drawn to scale.

**Table 24. Bonding pad location for PCF8576DU/x**

All x/y coordinates represent the position of the center of each pad with respect to the center (x/y = 0) of the chip (see [Figure 3](#), [Figure 26](#) and [Figure 27](#)).

| Symbol           | Pad | X (μm)   | Y (μm) | Description                                   |
|------------------|-----|----------|--------|---|
| SDA              | 1   | -34.38   | -876.6 | I <sup>2</sup> C-bus serial data input/output |
| SCL              | 2   | 109.53   | -876.6 | I <sup>2</sup> C-bus serial clock input       |
| SCL              | 3   | 181.53   | -876.6 |   |
| SYNC             | 4   | 365.58   | -876.6 | cascade synchronization input/output          |
| CLK              | 5   | 469.08   | -876.6 | external clock input/output                   |
| V <sub>DD</sub>  | 6   | 577.08   | -876.6 | supply voltage                                |
| OSC              | 7   | 740.88   | -876.6 | internal oscillator enable input              |
| A0               | 8   | 835.83   | -876.6 | subaddress inputs                             |
| A1               | 9   | 1 005.48 | -630.9 |   |
| A2               | 10  | 1 005.48 | -513.9 |   |
| SA0              | 11  | 1 005.48 | -396.9 | I <sup>2</sup> C-bus address input; bit 0     |
| V <sub>SS</sub>  | 12  | 1 005.48 | -221.4 | ground supply voltage                         |
| V <sub>LCD</sub> | 13  | 1 005.48 | 10.71  | LCD supply voltage                            |
| BP0              | 14  | 1 005.48 | 156.51 | LCD backplane outputs                         |
| BP2              | 15  | 1 005.48 | 232.74 |   |
| BP1              | 16  | 1 005.48 | 308.97 |   |
| BP3              | 17  | 1 005.48 | 385.2  |   |



**Table 24. Bonding pad location for PCF8576DU/x...continued**

All x/y coordinates represent the position of the center of each pad with respect to the center (x/y = 0) of the chip (see [Figure 3](#), [Figure 26](#) and [Figure 27](#)).

| Symbol | Pad | X (μm)   | Y (μm) | Description         |
|--------|-----|----------|--------|---------------------|
| S0     | 18  | 1 005.48 | 493.2  | LCD segment outputs |
| S1     | 19  | 1 005.48 | 565.2  |                     |
| S2     | 20  | 1 005.48 | 637.2  |                     |
| S3     | 21  | 1 005.48 | 709.2  |                     |
| S4     | 22  | 347.22   | 876.6  | LCD segment outputs |
| S5     | 23  | 263.97   | 876.6  |                     |
| S6     | 24  | 180.72   | 876.6  |                     |
| S7     | 25  | 97.47    | 876.6  |                     |
| S8     | 26  | 14.22    | 876.6  |                     |
| S9     | 27  | -69.03   | 876.6  |                     |
| S10    | 28  | -152.28  | 876.6  |                     |
| S11    | 29  | -235.53  | 876.6  |                     |
| S12    | 30  | -318.78  | 876.6  |                     |
| S13    | 31  | -402.03  | 876.6  |                     |
| S14    | 32  | -485.28  | 876.6  |                     |
| S15    | 33  | -568.53  | 876.6  |                     |
| S16    | 34  | -651.78  | 876.6  |                     |
| S17    | 35  | -735.03  | 876.6  |                     |
| S18    | 36  | -1 005.5 | 625.59 |                     |
| S19    | 37  | -1 005.5 | 541.62 |                     |
| S20    | 38  | -1 005.5 | 458.19 |                     |
| S21    | 39  | -1 005.5 | 374.76 |                     |
| S22    | 40  | -1 005.5 | 291.33 |                     |
| S23    | 41  | -1 005.5 | 207.9  |                     |
| S24    | 42  | -1 005.5 | 124.47 |                     |
| S25    | 43  | -1 005.5 | 41.04  |                     |
| S26    | 44  | -1 005.5 | -42.39 |                     |
| S27    | 45  | -1 005.5 | -125.8 |                     |
| S28    | 46  | -1 005.5 | -209.3 |                     |
| S29    | 47  | -1 005.5 | -292.7 |                     |
| S30    | 48  | -1 005.5 | -376.1 |                     |
| S31    | 49  | -1 005.5 | -459.5 |                     |
| S32    | 50  | -1 005.5 | -543   |                     |
| S33    | 51  | -1 005.5 | -625.6 |                     |
| S34    | 52  | -735.03  | -876.6 |                     |

**Table 24. Bonding pad location for PCF8576DU/x...continued**

All x/y coordinates represent the position of the center of each pad with respect to the center (x/y = 0) of the chip (see [Figure 3](#), [Figure 26](#) and [Figure 27](#)).

| Symbol | Pad | X (μm)  | Y (μm) | Description |
|--------|-----|---------|--------|-------------|
| S35    | 53  | -663.03 | -876.6 |             |
| S36    | 54  | -591.03 | -876.6 |             |
| S37    | 55  | -519.03 | -876.6 |             |
| S38    | 56  | -447.03 | -876.6 |             |
| S39    | 57  | -375.03 | -876.6 |             |
| SDA    | 58  | -196.38 | -876.6 |             |
| SDA    | 59  | -106.38 | -876.6 |             |

**Table 25. Alignment marks**

All x/y coordinates represent the position of the center of each alignment mark with respect to the center (x/y = 0) of the chip (see [Figure 3](#), [Figure 26](#) and [Figure 27](#)).

| Symbol | Location |        | Dimension     |
|--------|----------|--------|---------------|
|        | X (μm)   | Y (μm) | Diameter (μm) |
| C1     | 930.42   | -870.3 | 72            |
| C2     | -829.98  | -870.3 | 72            |

## 17 Handling information

All input and output pins are protected against ElectroStatic Discharge (ESD) under normal handling. When handling Metal-Oxide Semiconductor (MOS) devices ensure that all normal precautions are taken as described in *JESD625-A*, *IEC 61340-5* or equivalent standards.

18 Packing information

18.1 Tray information

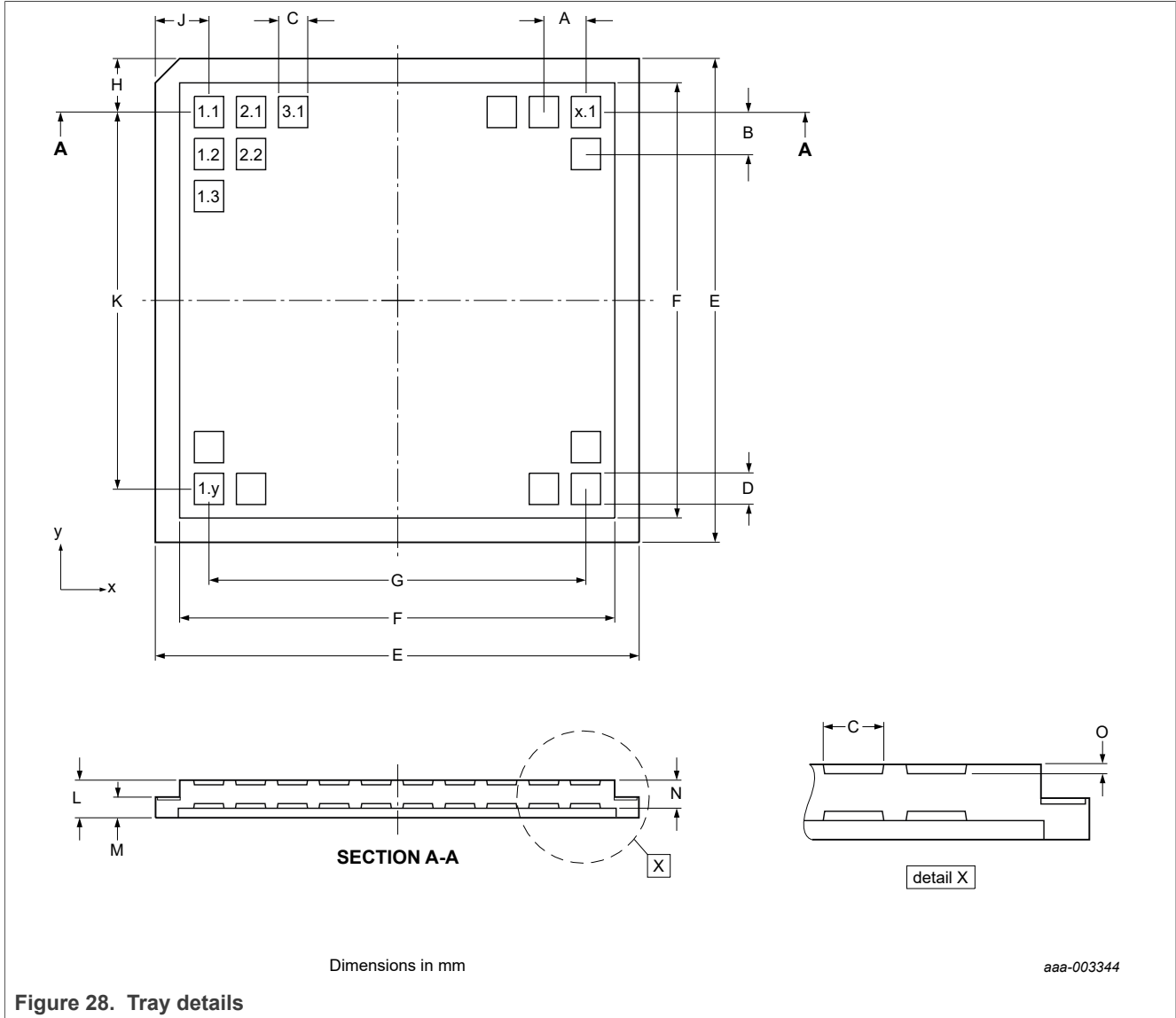


Table 26. Description of tray details

Tray details are shown in [Figure 28](#).

| Tray details      |     |      |      |      |       |      |     |     |      |      |      |      |      |
|-------------------|-----|------|------|------|-------|------|-----|-----|------|------|------|------|------|
| Dimensions        |     |      |      |      |       |      |     |     |      |      |      |      |      |
| A                 | B   | C    | D    | E    | F     | G    | H   | J   | K    | L    | M    | N    | Unit |
| 3.6               | 3.6 | 2.36 | 2.11 | 50.8 | 45.72 | 39.6 | 5.6 | 5.6 | 39.6 | 3.96 | 2.18 | 2.49 | mm   |
| Number of pockets |     |      |      |      |       |      |     |     |      |      |      |      |      |

Table 26. Description of tray details...continued

Tray details are shown in [Figure 28](#).

| Tray details |             |
|--------------|-------------|
| x direction  | y direction |
| 12           | 12          |

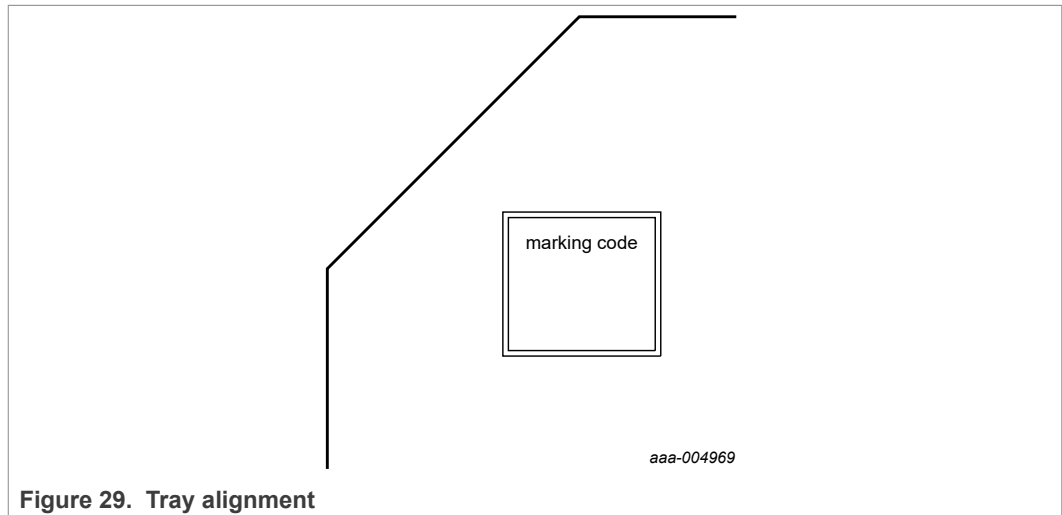


Figure 29. Tray alignment

## 18.2 Tape and reel information

For tape and reel packing information, please see [\[5\]](#).

## 19 Soldering of SMD packages

This text provides a very brief insight into a complex technology. A more in-depth account of soldering ICs can be found in Application Note AN10365 “Surface mount reflow soldering description”.

### 19.1 Introduction to soldering

Soldering is one of the most common methods through which packages are attached to Printed Circuit Boards (PCBs), to form electrical circuits. The soldered joint provides both the mechanical and the electrical connection. There is no single soldering method that is ideal for all IC packages. Wave soldering is often preferred when through-hole and Surface Mount Devices (SMDs) are mixed on one printed wiring board; however, it is not suitable for fine pitch SMDs. Reflow soldering is ideal for the small pitches and high densities that come with increased miniaturization.

### 19.2 Wave and reflow soldering

Wave soldering is a joining technology in which the joints are made by solder coming from a standing wave of liquid solder. The wave soldering process is suitable for the following:

- Through-hole components

- Leaded or leadless SMDs, which are glued to the surface of the printed circuit board

Not all SMDs can be wave soldered. Packages with solder balls, and some leadless packages which have solder lands underneath the body, cannot be wave soldered. Also, leaded SMDs with leads having a pitch smaller than ~0.6 mm cannot be wave soldered, due to an increased probability of bridging.

The reflow soldering process involves applying solder paste to a board, followed by component placement and exposure to a temperature profile. Leaded packages, packages with solder balls, and leadless packages are all reflow solderable.

Key characteristics in both wave and reflow soldering are:

- Board specifications, including the board finish, solder masks and vias
- Package footprints, including solder thieves and orientation
- The moisture sensitivity level of the packages
- Package placement
- Inspection and repair
- Lead-free soldering versus SnPb soldering

### 19.3 Wave soldering

Key characteristics in wave soldering are:

- Process issues, such as application of adhesive and flux, clinching of leads, board transport, the solder wave parameters, and the time during which components are exposed to the wave
- Solder bath specifications, including temperature and impurities

### 19.4 Reflow soldering

Key characteristics in reflow soldering are:

- Lead-free versus SnPb soldering; note that a lead-free reflow process usually leads to higher minimum peak temperatures (see [Figure 30](#)) than a SnPb process, thus reducing the process window
- Solder paste printing issues including smearing, release, and adjusting the process window for a mix of large and small components on one board
- Reflow temperature profile; this profile includes preheat, reflow (in which the board is heated to the peak temperature) and cooling down. It is imperative that the peak temperature is high enough for the solder to make reliable solder joints (a solder paste characteristic). In addition, the peak temperature must be low enough that the packages and/or boards are not damaged. The peak temperature of the package depends on package thickness and volume and is classified in accordance with [Table 27](#) and [Table 28](#)

Table 27. SnPb eutectic process (from J-STD-020D)

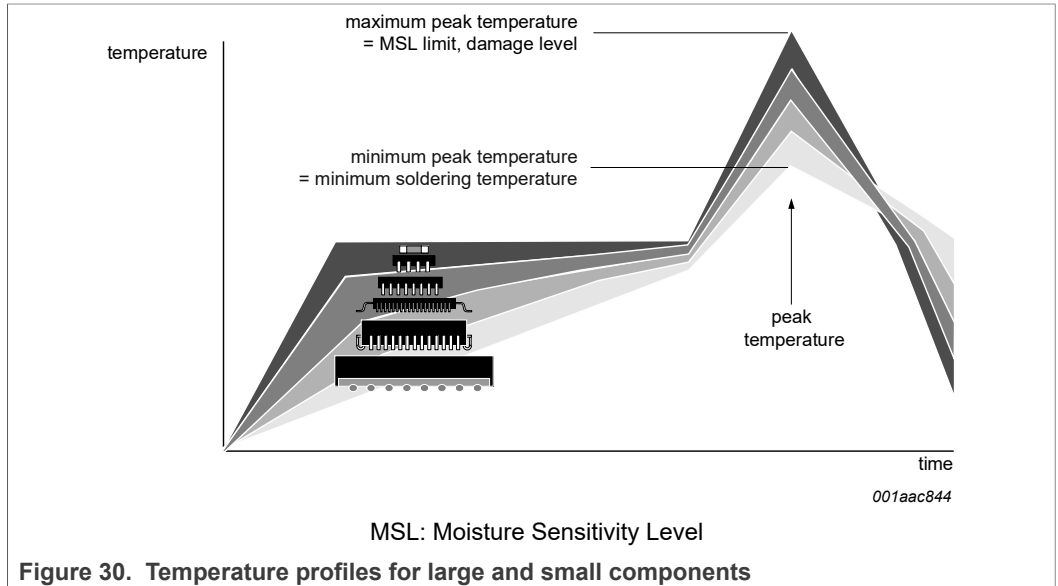
| Package thickness (mm) | Package reflow temperature (°C) |       |
|------------------------|---------------------------------|-------|
|                        | Volume (mm³)                    |       |
|                        | < 350                           | ≥ 350 |
| < 2.5                  | 235                             | 220   |
| ≥ 2.5                  | 220                             | 220   |

Table 28. Lead-free process (from J-STD-020D)

| Package thickness (mm) | Package reflow temperature (°C) |             |        |
|------------------------|---------------------------------|-------------|--------|
|                        | Volume (mm <sup>3</sup> )       |             |        |
|                        | < 350                           | 350 to 2000 | > 2000 |
| < 1.6                  | 260                             | 260         | 260    |
| 1.6 to 2.5             | 260                             | 250         | 245    |
| > 2.5                  | 250                             | 245         | 245    |

Moisture sensitivity precautions, as indicated on the packing, must be respected at all times.

Studies have shown that small packages reach higher temperatures during reflow soldering, see [Figure 30](#).



For further information on temperature profiles, refer to Application Note AN10365 “Surface mount reflow soldering description”.

## 20 Appendix

### 20.1 LCD segment driver selection

Table 29. Selection of LCD segment drivers

| Type name  | Number of elements at MUX |     |     |     |     |     |     | V <sub>DD</sub> (V) | V <sub>LCD</sub> (V) | f <sub>fr</sub> (Hz)     | V <sub>LCD</sub> (V)<br>charge<br>pump | V <sub>LCD</sub> (V)<br>temperature<br>compensat. | T <sub>amb</sub> (°C) | Interface              | Package  | AEC-<br>Q100 |
|------------|---------------------------|-----|-----|-----|-----|-----|-----|---------------------|----------------------|--------------------------|--|---|-----------------------|------------------------|----------|--------------|
|            | 1:1                       | 1:2 | 1:3 | 1:4 | 1:6 | 1:8 | 1:9 |                     |                      |                          |  |   |                       |                        |          |              |
| PCA8553DTT | 40                        | 80  | 120 | 160 | -   | -   | -   | 1.8 to 5.5          | 1.8 to 5.5           | 32 to 256 <sup>[1]</sup> | N                                      | N   | -40 to 105            | I <sup>2</sup> C / SPI | TSSOP56  | Y            |
| PCA8546ATT | -                         | -   | -   | 176 | -   | -   | -   | 1.8 to 5.5          | 2.5 to 9             | 60 to 300 <sup>[1]</sup> | N                                      | N   | -40 to 95             | I <sup>2</sup> C       | TSSOP56  | Y            |
| PCA8546BTT | -                         | -   | -   | 176 | -   | -   | -   | 1.8 to 5.5          | 2.5 to 9             | 60 to 300 <sup>[1]</sup> | N                                      | N   | -40 to 95             | SPI                    | TSSOP56  | Y            |
| PCA8547AHT | 44                        | 88  | -   | 176 | -   | -   | -   | 1.8 to 5.5          | 2.5 to 9             | 60 to 300 <sup>[1]</sup> | Y                                      | Y   | -40 to 95             | I <sup>2</sup> C       | TQFP64   | Y            |
| PCA8547BHT | 44                        | 88  | -   | 176 | -   | -   | -   | 1.8 to 5.5          | 2.5 to 9             | 60 to 300 <sup>[1]</sup> | Y                                      | Y   | -40 to 95             | SPI                    | TQFP64   | Y            |
| PCF85134HL | 60                        | 120 | 180 | 240 | -   | -   | -   | 1.8 to 5.5          | 2.5 to 6.5           | 82                       | N                                      | N   | -40 to 85             | I <sup>2</sup> C       | LQFP80   | N            |
| PCA85134H  | 60                        | 120 | 180 | 240 | -   | -   | -   | 1.8 to 5.5          | 2.5 to 8             | 82                       | N                                      | N   | -40 to 95             | I <sup>2</sup> C       | LQFP80   | Y            |
| PCA8543AHL | 60                        | 120 | -   | 240 | -   | -   | -   | 2.5 to 5.5          | 2.5 to 9             | 60 to 300 <sup>[1]</sup> | Y                                      | Y   | -40 to 105            | I <sup>2</sup> C       | LQFP80   | Y            |
| PCF8545ATT | -                         | -   | -   | 176 | 252 | 320 | -   | 1.8 to 5.5          | 2.5 to 5.5           | 60 to 300 <sup>[1]</sup> | N                                      | N   | -40 to 85             | I <sup>2</sup> C       | TSSOP56  | N            |
| PCF8545BTT | -                         | -   | -   | 176 | 252 | 320 | -   | 1.8 to 5.5          | 2.5 to 5.5           | 60 to 300 <sup>[1]</sup> | N                                      | N   | -40 to 85             | SPI                    | TSSOP56  | N            |
| PCF8536AT  | -                         | -   | -   | 176 | 252 | 320 | -   | 1.8 to 5.5          | 2.5 to 9             | 60 to 300 <sup>[1]</sup> | N                                      | N   | -40 to 85             | I <sup>2</sup> C       | TSSOP56  | N            |
| PCF8536BT  | -                         | -   | -   | 176 | 252 | 320 | -   | 1.8 to 5.5          | 2.5 to 9             | 60 to 300 <sup>[1]</sup> | N                                      | N   | -40 to 85             | SPI                    | TSSOP56  | N            |
| PCA8536AT  | -                         | -   | -   | 176 | 252 | 320 | -   | 1.8 to 5.5          | 2.5 to 9             | 60 to 300 <sup>[1]</sup> | N                                      | N   | -40 to 95             | I <sup>2</sup> C       | TSSOP56  | Y            |
| PCA8536BT  | -                         | -   | -   | 176 | 252 | 320 | -   | 1.8 to 5.5          | 2.5 to 9             | 60 to 300 <sup>[1]</sup> | N                                      | N   | -40 to 95             | SPI                    | TSSOP56  | Y            |
| PCF8537AH  | 44                        | 88  | -   | 176 | 276 | 352 | -   | 1.8 to 5.5          | 2.5 to 9             | 60 to 300 <sup>[1]</sup> | Y                                      | Y   | -40 to 85             | I <sup>2</sup> C       | TQFP64   | N            |
| PCF8537BH  | 44                        | 88  | -   | 176 | 276 | 352 | -   | 1.8 to 5.5          | 2.5 to 9             | 60 to 300 <sup>[1]</sup> | Y                                      | Y   | -40 to 85             | SPI                    | TQFP64   | N            |
| PCA8537AH  | 44                        | 88  | -   | 176 | 276 | 352 | -   | 1.8 to 5.5          | 2.5 to 9             | 60 to 300 <sup>[1]</sup> | Y                                      | Y   | -40 to 95             | I <sup>2</sup> C       | TQFP64   | Y            |
| PCA8537BH  | 44                        | 88  | -   | 176 | 276 | 352 | -   | 1.8 to 5.5          | 2.5 to 9             | 60 to 300 <sup>[1]</sup> | Y                                      | Y   | -40 to 95             | SPI                    | TQFP64   | Y            |
| PCA9620H   | 60                        | 120 | -   | 240 | 320 | 480 | -   | 2.5 to 5.5          | 2.5 to 9             | 60 to 300 <sup>[1]</sup> | Y                                      | Y   | -40 to 105            | I <sup>2</sup> C       | LQFP80   | Y            |
| PCA9620U   | 60                        | 120 | -   | 240 | 320 | 480 | -   | 2.5 to 5.5          | 2.5 to 9             | 60 to 300 <sup>[1]</sup> | Y                                      | Y   | -40 to 105            | I <sup>2</sup> C       | Bare die | Y            |
| PCF8576DU  | 40                        | 80  | 120 | 160 | -   | -   | -   | 1.8 to 5.5          | 2.5 to 6.5           | 77                       | N                                      | N   | -40 to 85             | I <sup>2</sup> C       | Bare die | N            |
| PCF8576EUG | 40                        | 80  | 120 | 160 | -   | -   | -   | 1.8 to 5.5          | 2.5 to 6.5           | 77                       | N                                      | N   | -40 to 85             | I <sup>2</sup> C       | Bare die | N            |
| PCA8576FUG | 40                        | 80  | 120 | 160 | -   | -   | -   | 1.8 to 5.5          | 2.5 to 8             | 200                      | N                                      | N   | -40 to 105            | I <sup>2</sup> C       | Bare die | Y            |
| PCF85133U  | 80                        | 160 | 240 | 320 | -   | -   | -   | 1.8 to 5.5          | 2.5 to 6.5           | 82, 110 <sup>[2]</sup>   | N                                      | N   | -40 to 85             | I <sup>2</sup> C       | Bare die | N            |

Table 29. Selection of LCD segment drivers...continued

| Type name  | Number of elements at MUX |     |     |     |     |     |     | V <sub>DD</sub> (V) | V <sub>LCD</sub> (V) | f <sub>fr</sub> (Hz)      | V <sub>LCD</sub> (V)<br>charge<br>pump | V <sub>LCD</sub> (V)<br>temperature<br>compensat. | T <sub>amb</sub> (°C) | Interface              | Package  | AEC-<br>Q100 |
|------------|---------------------------|-----|-----|-----|-----|-----|-----|---------------------|----------------------|---------------------------|--|---|-----------------------|------------------------|----------|--------------|
|            | 1:1                       | 1:2 | 1:3 | 1:4 | 1:6 | 1:8 | 1:9 |                     |                      |                           |  |   |                       |                        |          |              |
| PCA85133U  | 80                        | 160 | 240 | 320 | -   | -   | -   | 1.8 to 5.5          | 2.5 to 8             | 82, 110 <sup>[2]</sup>    | N                                      | N   | -40 to 95             | I <sup>2</sup> C       | Bare die | Y            |
| PCA85233UG | 80                        | 160 | 240 | 320 | -   | -   | -   | 1.8 to 5.5          | 2.5 to 8             | 150, 220 <sup>[2]</sup>   | N                                      | N   | -40 to 105            | I <sup>2</sup> C       | Bare die | Y            |
| PCF85132U  | 160                       | 320 | 480 | 640 | -   | -   | -   | 1.8 to 5.5          | 1.8 to 8             | 60 to 90 <sup>[1]</sup>   | N                                      | N   | -40 to 85             | I <sup>2</sup> C       | Bare die | N            |
| PCA8530DUG | 102                       | 204 | -   | 408 | -   | -   | -   | 2.5 to 5.5          | 4 to 12              | 45 to 300 <sup>[1]</sup>  | Y                                      | Y   | -40 to 105            | I <sup>2</sup> C / SPI | Bare die | Y            |
| PCA85132U  | 160                       | 320 | 480 | 640 | -   | -   | -   | 1.8 to 5.5          | 1.8 to 8             | 60 to 90 <sup>[1]</sup>   | N                                      | N   | -40 to 95             | I <sup>2</sup> C       | Bare die | Y            |
| PCA85232U  | 160                       | 320 | 480 | 640 | -   | -   | -   | 1.8 to 5.5          | 1.8 to 8             | 117 to 176 <sup>[1]</sup> | N                                      | N   | -40 to 95             | I <sup>2</sup> C       | Bare die | Y            |
| PCF8538UG  | 102                       | 204 | -   | 408 | 612 | 816 | 918 | 2.5 to 5.5          | 4 to 12              | 45 to 300 <sup>[1]</sup>  | Y                                      | Y   | -40 to 85             | I <sup>2</sup> C / SPI | Bare die | N            |
| PCA8538UG  | 102                       | 204 | -   | 408 | 612 | 816 | 918 | 2.5 to 5.5          | 4 to 12              | 45 to 300 <sup>[1]</sup>  | Y                                      | Y   | -40 to 105            | I <sup>2</sup> C / SPI | Bare die | Y            |

[1] Software programmable.

[2] Hardware selectable.



## 21 Abbreviations

Table 30. Abbreviations

| Acronym | Description                             |
|---------|---|
| CDM     | Charged-Device Model                    |
| CMOS    | Complementary Metal-Oxide Semiconductor |
| HBM     | Human Body Model                        |
| ITO     | Indium Tin Oxide                        |
| LCD     | Liquid Crystal Display                  |
| LSB     | Least Significant Bit                   |
| MM      | Machine Model                           |
| MSB     | Most Significant Bit                    |
| MSL     | Moisture Sensitivity Level              |
| PCB     | Printed Circuit Board                   |
| RAM     | Random Access Memory                    |
| RMS     | Root Mean Square                        |
| SCL     | Serial CLock line                       |
| SDA     | Serial DAta line                        |
| SMD     | Surface Mount Device                    |

## 22 References

- [1] JESD22-A114 Electrostatic Discharge (ESD) Sensitivity Testing Human Body Model (HBM)
- [2] JESD22-A115 Electrostatic Discharge (ESD) Sensitivity Testing Machine Model (MM)
- [3] JESD22-C101 Field-Induced Charged-Device Model Test Method for Electrostatic-Discharge-Withstand Thresholds of Microelectronic Components
- [4] JESD78 IC Latch-Up Test
- [5] SOT364-1\_118 TSSOP56; Reel pack; SMD, 13", packing information
- [6] UM10569 Store and transport requirements

## 23 Revision history

Table 31. Revision history

| Document ID     | Release date   | Data sheet status  | Change notice   | Supersedes    |
|-----------------|--|--------------------|-----------------|---------------|
| PCF8576D v.15.1 | 20210901   | Product data sheet | PCN202102010F01 | PCF8576D v.15 |
| Modifications:  | <ul style="list-style-type: none"> <li>• Updated ordering information. See PCN number in Change notice column.</li> <li>• Updated text and Figures 16, 17, and 18, changing the terms "master" and "slave" to "controller" and "target" to comply with NXP inclusive language policy.</li> </ul> |                    |                 |               |
| PCF8576D v.15   | 20150212   | Product data sheet | -               | PCF8576D v.14 |

Table 31. Revision history...continued

| Document ID    | Release date  | Data sheet status       | Change notice | Supersedes    |
|----------------|---|-------------------------|---------------|---------------|
| Modifications: | <ul style="list-style-type: none"> <li>The format of this data sheet has been redesigned to comply with the new identity guidelines of NXP Semiconductors.</li> <li>Legal texts have been adapted to the new company name where appropriate.</li> <li>Changed I<sub>DD(LCD)</sub> values in <a href="#">Table 18</a></li> <li>Changed <a href="#">Section 13.1</a> and <a href="#">Section 18.2</a></li> <li>Added <a href="#">Section 20.1</a></li> <li>Fixed typos</li> </ul> |                         |               |               |
| PCF8576D v.14  | 20130610  | Product data sheet      | -             | PCF8576D v.13 |
| PCF8576D v.13  | 20120510  | Product data sheet      | -             | PCF8576D v.12 |
| PCF8576D v.12  | 20120413  | Product data sheet      | -             | PCF8576D v.11 |
| PCF8576D v.11  | 20110627  | Product data sheet      |               | PCF8576D v.10 |
| PCF8576D v.10  | 20110214  | Product data sheet      | -             | PCF8576D_9    |
| PCF8576D_9     | 20090825  | Product data sheet      | -             | PCF8576D_8    |
| PCF8576D_8     | 20090319  | Product data sheet      | -             | PCF8576D_7    |
| PCF8576D_7     | 20081218  | Product data sheet      | -             | PCF8576D_6    |
| PCF8576D_6     | 20081202  | Product data sheet      | -             | PCF8576D_5    |
| PCF8576D_5     | 20041222  | Product specification   | -             | PCF8576D_4    |
| PCF8576D_4     | 20041008  | Product specification   | -             | PCF8576D_3    |
| PCF8576D_3     | 20040617  | Product specification   | -             | PCF8576D_2    |
| PCF8576D_2     | 20030623  | Product specification   | -             | PCF8576D_1    |
| PCF8576D_1     | 20030401  | Objective specification | -             | -             |

## 24 Legal information

### 24.1 Data sheet status

| Document status <sup>[1][2]</sup> | Product status <sup>[3]</sup> | Definition  |
|-----------------------------------|-------------------------------|---|
| Objective [short] data sheet      | Development                   | This document contains data from the objective specification for product development. |
| Preliminary [short] data sheet    | Qualification                 | This document contains data from the preliminary specification.                       |
| Product [short] data sheet        | Production                    | This document contains the product specification.                                     |

[1] Please consult the most recently issued document before initiating or completing a design.

[2] The term 'short data sheet' is explained in section "Definitions".

[3] The product status of device(s) described in this document may have changed since this document was published and may differ in case of multiple devices. The latest product status information is available on the Internet at URL <http://www.nxp.com>.

### 24.2 Definitions

**Draft** — A draft status on a document indicates that the content is still under internal review and subject to formal approval, which may result in modifications or additions. NXP Semiconductors does not give any representations or warranties as to the accuracy or completeness of information included in a draft version of a document and shall have no liability for the consequences of use of such information.

**Short data sheet** — A short data sheet is an extract from a full data sheet with the same product type number(s) and title. A short data sheet is intended for quick reference only and should not be relied upon to contain detailed and full information. For detailed and full information see the relevant full data sheet, which is available on request via the local NXP Semiconductors sales office. In case of any inconsistency or conflict with the short data sheet, the full data sheet shall prevail.

**Product specification** — The information and data provided in a Product data sheet shall define the specification of the product as agreed between NXP Semiconductors and its customer, unless NXP Semiconductors and customer have explicitly agreed otherwise in writing. In no event however, shall an agreement be valid in which the NXP Semiconductors product is deemed to offer functions and qualities beyond those described in the Product data sheet.

### 24.3 Disclaimers

**Limited warranty and liability** — Information in this document is believed to be accurate and reliable. However, NXP Semiconductors does not give any representations or warranties, expressed or implied, as to the accuracy or completeness of such information and shall have no liability for the consequences of use of such information. NXP Semiconductors takes no responsibility for the content in this document if provided by an information source outside of NXP Semiconductors. In no event shall NXP Semiconductors be liable for any indirect, incidental, punitive, special or consequential damages (including - without limitation - lost profits, lost savings, business interruption, costs related to the removal or replacement of any products or rework charges) whether or not such damages are based on tort (including negligence), warranty, breach of contract or any other legal theory. Notwithstanding any damages that customer might incur for any reason whatsoever, NXP Semiconductors' aggregate and cumulative liability towards customer for the products described herein shall be limited in accordance with the Terms and conditions of commercial sale of NXP Semiconductors.

**Right to make changes** — NXP Semiconductors reserves the right to make changes to information published in this document, including without limitation specifications and product descriptions, at any time and without

notice. This document supersedes and replaces all information supplied prior to the publication hereof.

**Suitability for use** — NXP Semiconductors products are not designed, authorized or warranted to be suitable for use in life support, life-critical or safety-critical systems or equipment, nor in applications where failure or malfunction of an NXP Semiconductors product can reasonably be expected to result in personal injury, death or severe property or environmental damage. NXP Semiconductors and its suppliers accept no liability for inclusion and/or use of NXP Semiconductors products in such equipment or applications and therefore such inclusion and/or use is at the customer's own risk.

**Applications** — Applications that are described herein for any of these products are for illustrative purposes only. NXP Semiconductors makes no representation or warranty that such applications will be suitable for the specified use without further testing or modification. Customers are responsible for the design and operation of their applications and products using NXP Semiconductors products, and NXP Semiconductors accepts no liability for any assistance with applications or customer product design. It is customer's sole responsibility to determine whether the NXP Semiconductors product is suitable and fit for the customer's applications and products planned, as well as for the planned application and use of customer's third party customer(s). Customers should provide appropriate design and operating safeguards to minimize the risks associated with their applications and products. NXP Semiconductors does not accept any liability related to any default, damage, costs or problem which is based on any weakness or default in the customer's applications or products, or the application or use by customer's third party customer(s). Customer is responsible for doing all necessary testing for the customer's applications and products using NXP Semiconductors products in order to avoid a default of the applications and the products or of the application or use by customer's third party customer(s). NXP does not accept any liability in this respect.

**Limiting values** — Stress above one or more limiting values (as defined in the Absolute Maximum Ratings System of IEC 60134) will cause permanent damage to the device. Limiting values are stress ratings only and (proper) operation of the device at these or any other conditions above those given in the Recommended operating conditions section (if present) or the Characteristics sections of this document is not warranted. Constant or repeated exposure to limiting values will permanently and irreversibly affect the quality and reliability of the device.

**Terms and conditions of commercial sale** — NXP Semiconductors products are sold subject to the general terms and conditions of commercial sale, as published at <http://www.nxp.com/profile/terms>, unless otherwise agreed in a valid written individual agreement. In case an individual agreement is concluded only the terms and conditions of the respective agreement shall apply. NXP Semiconductors hereby expressly objects to applying the customer's general terms and conditions with regard to the purchase of NXP Semiconductors products by customer.

**No offer to sell or license** — Nothing in this document may be interpreted or construed as an offer to sell products that is open for acceptance or the grant, conveyance or implication of any license under any copyrights, patents or other industrial or intellectual property rights.

**Bare die** — All die are tested on compliance with their related technical specifications as stated in this data sheet up to the point of wafer sawing and are handled in accordance with the NXP Semiconductors storage and transportation conditions. If there are data sheet limits not guaranteed, these will be separately indicated in the data sheet. There are no post-packing tests performed on individual die or wafers. NXP Semiconductors has no control of third party procedures in the sawing, handling, packing or assembly of the die. Accordingly, NXP Semiconductors assumes no liability for device functionality or performance of the die or systems after third party sawing, handling, packing or assembly of the die. It is the responsibility of the customer to test and qualify their application in which the die is used. All die sales are conditioned upon and subject to the customer entering into a written die sale agreement with NXP Semiconductors through its legal department.

**Export control** — This document as well as the item(s) described herein may be subject to export control regulations. Export might require a prior authorization from competent authorities.

**Non-automotive qualified products** — Unless this data sheet expressly states that this specific NXP Semiconductors product is automotive qualified, the product is not suitable for automotive use. It is neither qualified nor

tested in accordance with automotive testing or application requirements. NXP Semiconductors accepts no liability for inclusion and/or use of non-automotive qualified products in automotive equipment or applications. In the event that customer uses the product for design-in and use in automotive applications to automotive specifications and standards, customer (a) shall use the product without NXP Semiconductors' warranty of the product for such automotive applications, use and specifications, and (b) whenever customer uses the product for automotive applications beyond NXP Semiconductors' specifications such use shall be solely at customer's own risk, and (c) customer fully indemnifies NXP Semiconductors for any liability, damages or failed product claims resulting from customer design and use of the product for automotive applications beyond NXP Semiconductors' standard warranty and NXP Semiconductors' product specifications.

**Translations** — A non-English (translated) version of a document is for reference only. The English version shall prevail in case of any discrepancy between the translated and English versions.

## 24.4 Trademarks

Notice: All referenced brands, product names, service names and trademarks are the property of their respective owners.

**I<sup>2</sup>C-bus** — logo is a trademark of NXP B.V.

**NXP** — wordmark and logo are trademarks of NXP B.V.

## Tables

|          |   |    |          |   |    |
|----------|---|----|----------|---|----|
| Tab. 1.  | Ordering information  | 2  | Tab. 16. | I2C controller address byte             | 27 |
| Tab. 2.  | Ordering options  | 2  | Tab. 17. | Limiting values                         | 30 |
| Tab. 3.  | Pin description   | 5  | Tab. 18. | Static characteristics                  | 31 |
| Tab. 4.  | Selection of possible display configurations                | 7  | Tab. 19. | Dynamic characteristics                 | 32 |
| Tab. 5.  | Biasing characteristics                                     | 8  | Tab. 20. | Addressing cascaded PCF8576D            | 34 |
| Tab. 6.  | Standard RAM filling in 1:3 multiplex drive mode            | 20 | Tab. 21. | SYNC contact resistance                 | 35 |
| Tab. 7.  | Entire RAM filling by rewriting in 1:3 multiplex drive mode | 20 | Tab. 22. | Dimensions of PCF8576DU/DA              | 40 |
| Tab. 8.  | Blinking frequencies  | 21 | Tab. 23. | Dimensions of PCF8576DU/2DA             | 40 |
| Tab. 9.  | Definition of PCF8576D commands                             | 22 | Tab. 24. | Bonding pad location for PCF8576DU/x    | 40 |
| Tab. 10. | C bit description   | 22 | Tab. 25. | Alignment marks                         | 42 |
| Tab. 11. | Mode-set command bit description                            | 22 | Tab. 26. | Description of tray details             | 43 |
| Tab. 12. | Load-data-pointer command bit description                   | 23 | Tab. 27. | SnPb eutectic process (from J-STD-020D) | 45 |
| Tab. 13. | Device-select command bit description                       | 23 | Tab. 28. | Lead-free process (from J-STD-020D)     | 46 |
| Tab. 14. | Bank-select command bit description                         | 23 | Tab. 29. | Selection of LCD segment drivers        | 47 |
| Tab. 15. | Blink-select command bit description                        | 24 | Tab. 30. | Abbreviations                           | 49 |
|          |   |    | Tab. 31. | Revision history                        | 49 |

## Figures

|          |  |    |          |   |    |
|----------|--|----|----------|---|----|
| Fig. 1.  | Block diagram of PCF8576D  | 3  | Fig. 15. | Definition of START and STOP conditions                             | 25 |
| Fig. 2.  | Pinning diagram for PCF8576DT (TSSOP56)  | 4  | Fig. 16. | System configuration  | 25 |
| Fig. 3.  | Pinning diagram for PCF8576DU (bare die)   | 5  | Fig. 17. | Acknowledgement of the I2C-bus                                      | 26 |
| Fig. 4.  | Example of displays suitable for PCF8576D  | 6  | Fig. 18. | I2C-bus protocol  | 27 |
| Fig. 5.  | Typical system configuration   | 7  | Fig. 19. | Format of command byte  | 28 |
| Fig. 6.  | Electro-optical characteristic: relative transmission curve of the liquid  | 10 | Fig. 20. | Device protection circuits  | 29 |
| Fig. 7.  | Static drive mode waveforms  | 11 | Fig. 21. | Driver timing waveforms   | 33 |
| Fig. 8.  | Waveforms for the 1:2 multiplex drive mode with 1/2 bias   | 12 | Fig. 22. | I2C-bus timing waveforms  | 33 |
| Fig. 9.  | Waveforms for the 1:2 multiplex drive mode with 1/3 bias   | 13 | Fig. 23. | Cascaded PCF8576D configuration                                     | 35 |
| Fig. 10. | Waveforms for the 1:3 multiplex drive mode with 1/3 bias   | 14 | Fig. 24. | Synchronization of the cascade for the various PCF8576D drive modes | 36 |
| Fig. 11. | Waveforms for the 1:4 multiplex drive mode with 1/3 bias   | 15 | Fig. 25. | Package outline SOT364-1 (TSSOP56) of PCF8576DT                     | 37 |
| Fig. 12. | Display RAM bit map  | 17 | Fig. 26. | Bare die outline PCF8576DU/DA (for dimensions see Table 23)         | 38 |
| Fig. 13. | Relationship between LCD layout, drive mode, display RAM filling order and display data transmitted over the I2C-bus | 18 | Fig. 27. | Bare die outline PCF8576DU/2DA (for dimensions see Table 24)        | 39 |
| Fig. 14. | Bit transfer   | 25 | Fig. 28. | Tray details  | 43 |
|          |  |    | Fig. 29. | Tray alignment  | 44 |
|          |  |    | Fig. 30. | Temperature profiles for large and small components                 | 46 |