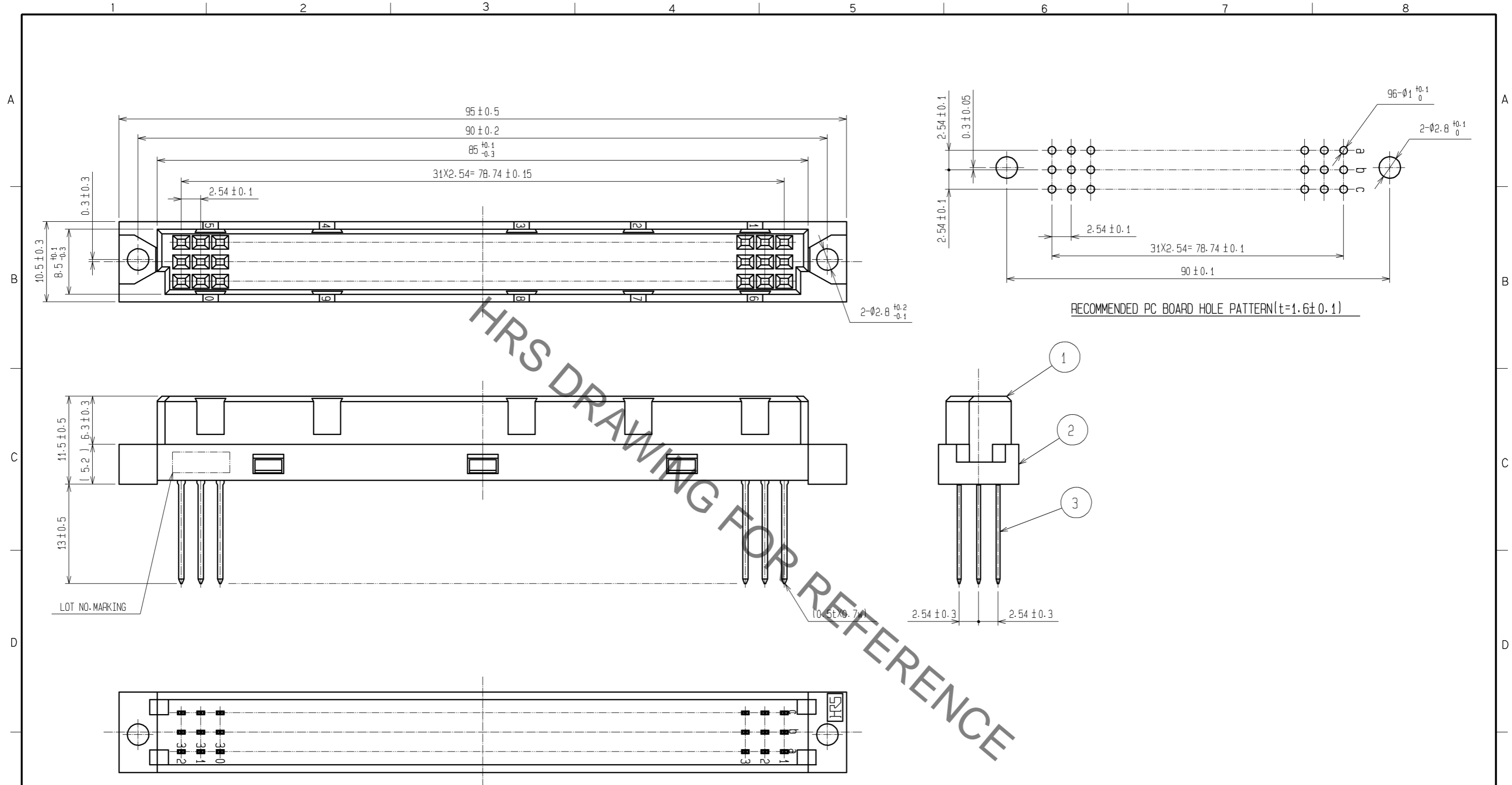


Jan.1.2022 Copyright 2022 HIROSE ELECTRIC CO., LTD. All Rights Reserved.
 In case of consideration for using Automotive equipment / device which demand high reliability, kindly contact our sales window correspondents.



HRS DRAWING FOR REFERENCE

3	COPPER ALLOY	CONTACT AREA: Ni1#m+Au0.2#m
1, 2	PBT	GRAY UL94V-0
NO.	MATERIAL	FINISH, REMARKS

UNITS	SCALE	COUNT	DESCRIPTION OF REVISIONS	DESIGNED	CHECKED	DATE
mm	FREE	△				
APPROVED : KI. AKIYAMA			08.02.06	DRAWING NO. EDC3-019003-01		
CHECKED : SI. TOMIOKA			08.02.06	PART NO. PCN10-96S-2.54WA(72)		
DESIGNED : NH. SUGITA			08.02.06	CODE NO. CL583-0085-1-72		
DRAWN : NN. ONDA			08.02.05	△ 1/1		