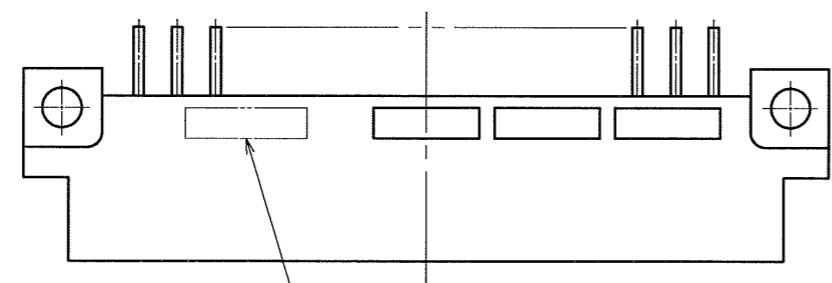
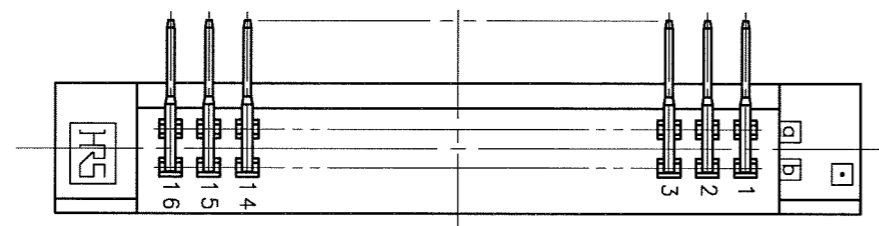
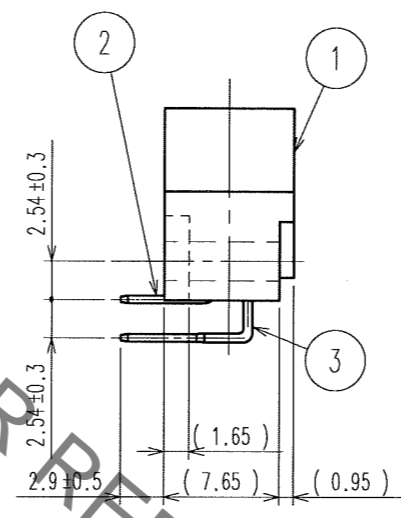
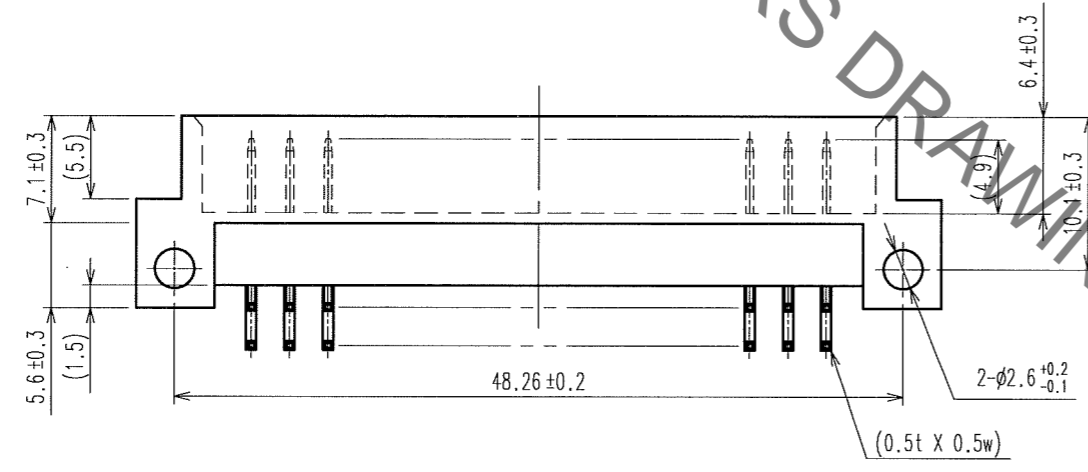
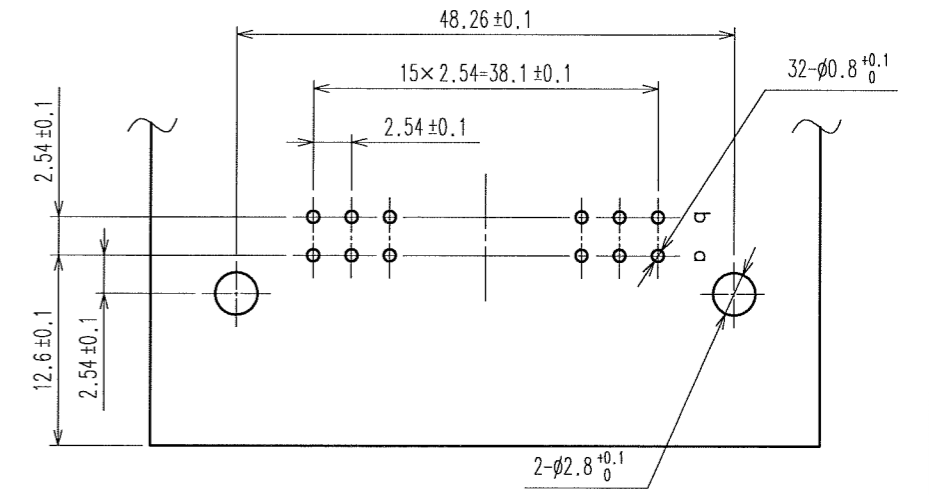
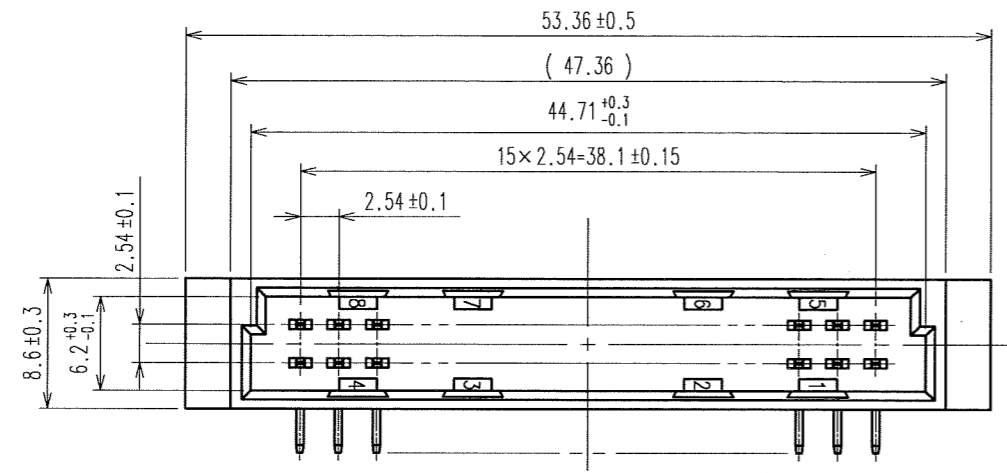


Jan.1.2022 Copyright 2022 HIROSE ELECTRIC CO., LTD. All Rights Reserved.  
In case of consideration for using Automotive equipment / device which demand high reliability, kindly contact our sales window correspondents.

COUNT	DESCRIPTION OF REVISIONS	BY	CHKD	DATE	COUNT	DESCRIPTION OF REVISIONS	BY	CHKD	DATE
△				..	△				..
△				..	△				..
△				..	△				..



NO.	MATERIAL	FINISH, REMARKS
2, 3	BRASS	CONTACT AREA: Ni2.5μm + Au0.2μm DIP AREA : Ni2.5μm + Sn2μm
1	PBT	GRAY UL94V-0

CODE NO. (OLD) CL	DRAWN H. Saitou 06.06.14	DESIGNED H. Saitou 06.06.14	CHECKED <i>S. Tomooka</i> 06.06.19	APPROVED <i>K. Akijama</i> 06.06.19	RELEASED ..
SCALE 2:1	DRAWING NO. EDC3-018364-01		PART NO. PCN10A-32P-2.54DS(72)		
UNITS mm	HRS HIROSE ELECTRIC CO., LTD		CODE NO. CL583-0011-5-72		1/1