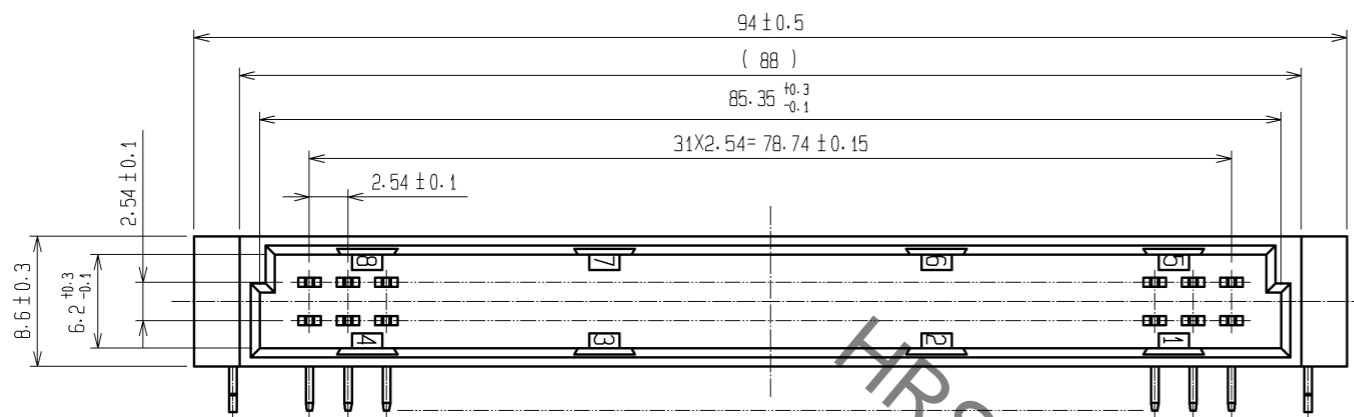
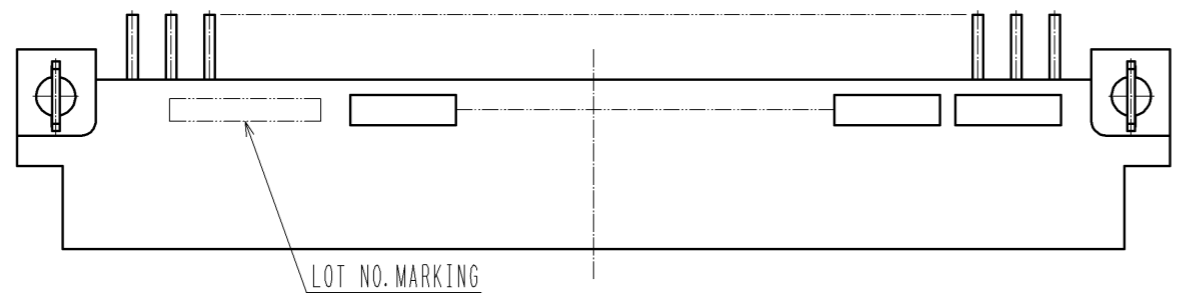
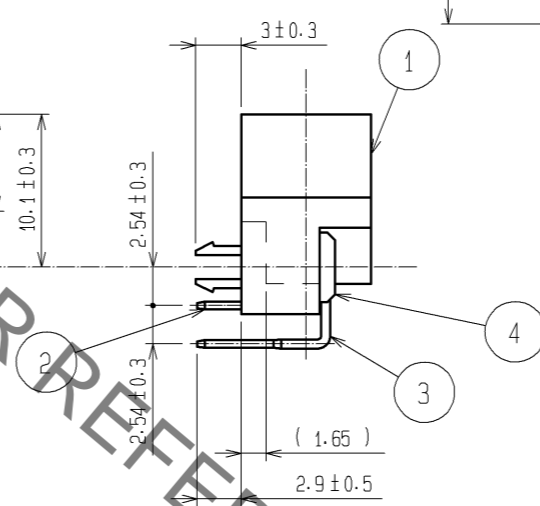
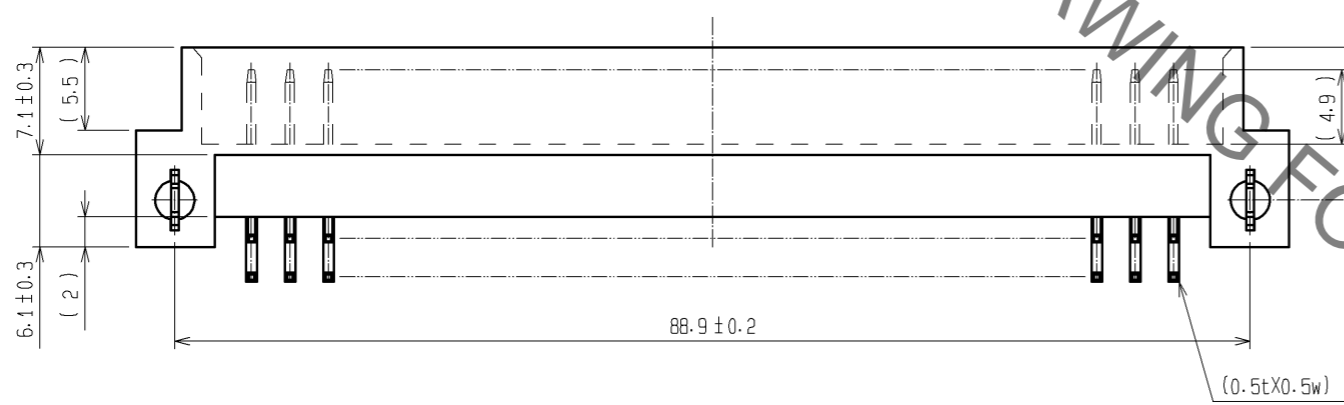
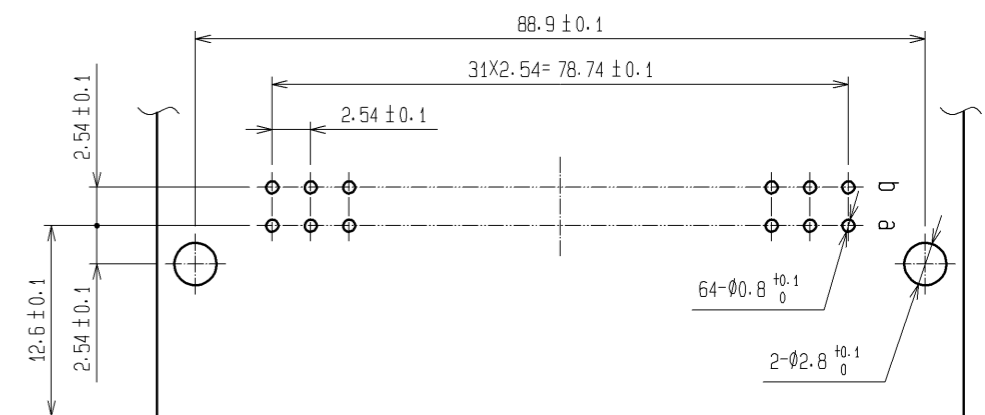


Jan.1.2022 Copyright 2022 HIROSE ELECTRIC CO., LTD. All Rights Reserved.  
 In case of consideration for using Automotive equipment / device which demand high reliability, kindly contact our sales window correspondents.



RECOMMENDED PC BOARD HOLE PATTERN(t=1.6±0.1)



1	PBT	GRAY UL94V-0	4	PHOSPHOR BRONZE	Ni1µm+Sn1µm		
2, 3	BRASS			CONTACT AREA : Ni2.5µm+Au0.2µm			
				DIP AREA : Ni2.5µm+Sn2µm			
NO.	MATERIAL	FINISH . REMARKS	NO.	MATERIAL	FINISH . REMARKS		
UNITS	⊙	SCALE	△	DESCRIPTION OF REVISIONS	DESIGNED	CHECKED	DATE
mm		FREE					
<b>HRS</b> HIROSE ELECTRIC CO., LTD.		APPROVED : HT. YAMAGUCHI	12.07.18	DRAWING NO. EDC3-019544-72			
		CHECKED : HT. YAMAGUCHI	12.07.18	PART NO. PCN10EA-64P-2.54DS(72)			
		DESIGNED : KJ. NISHIWAKI	12.07.18	CODE NO. CL583-0185-6-72			
		DRAWN : CR. TAKESHIMA	12.07.13			1/1	