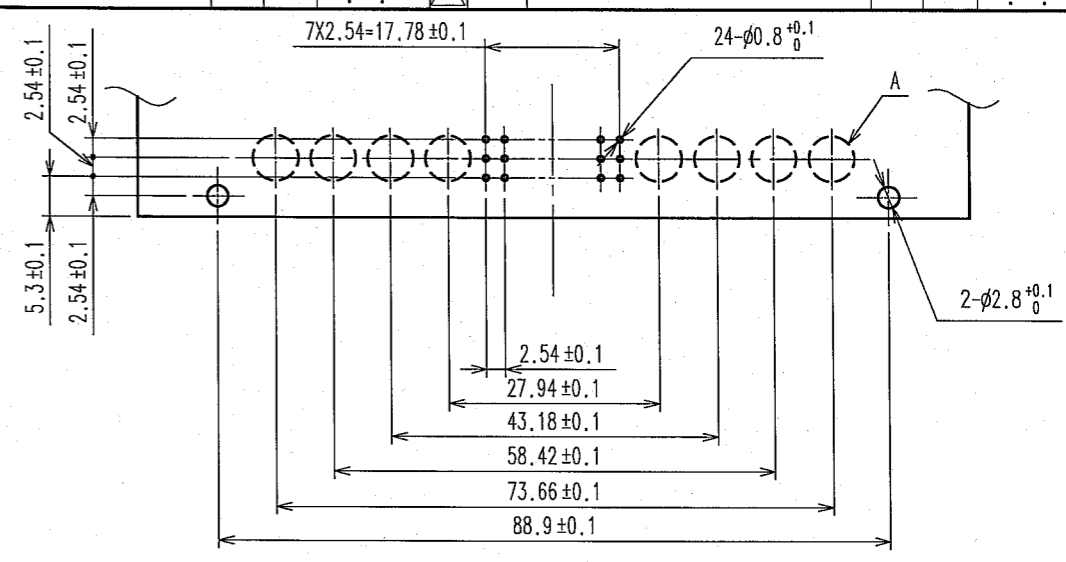
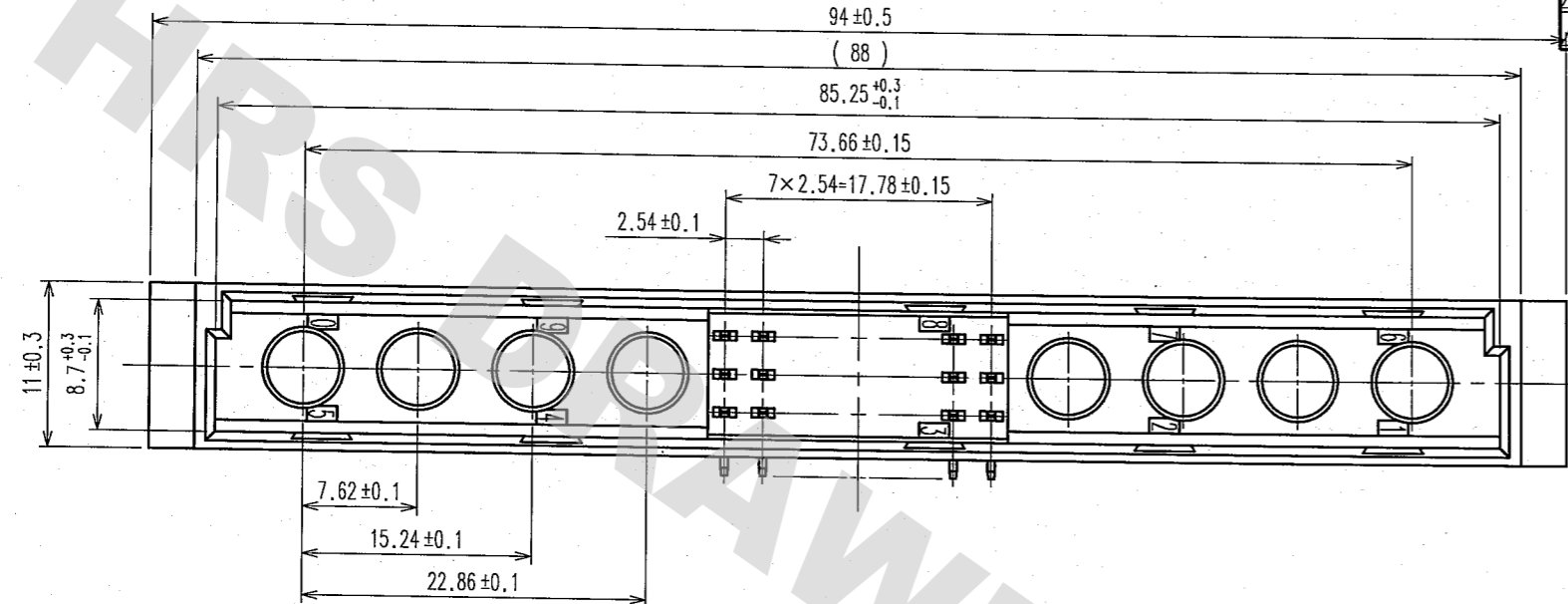


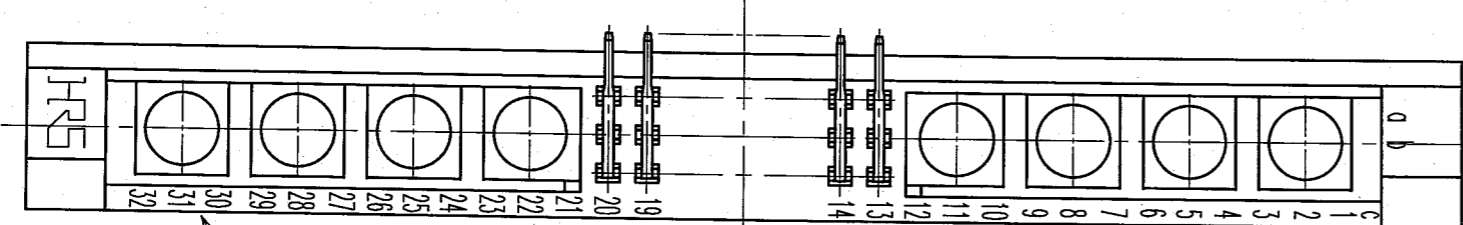
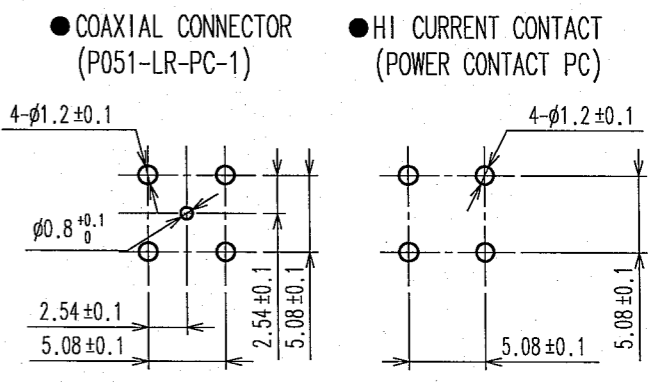
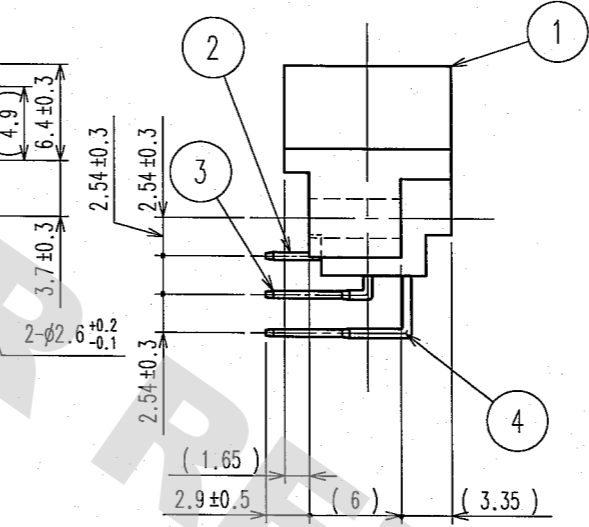
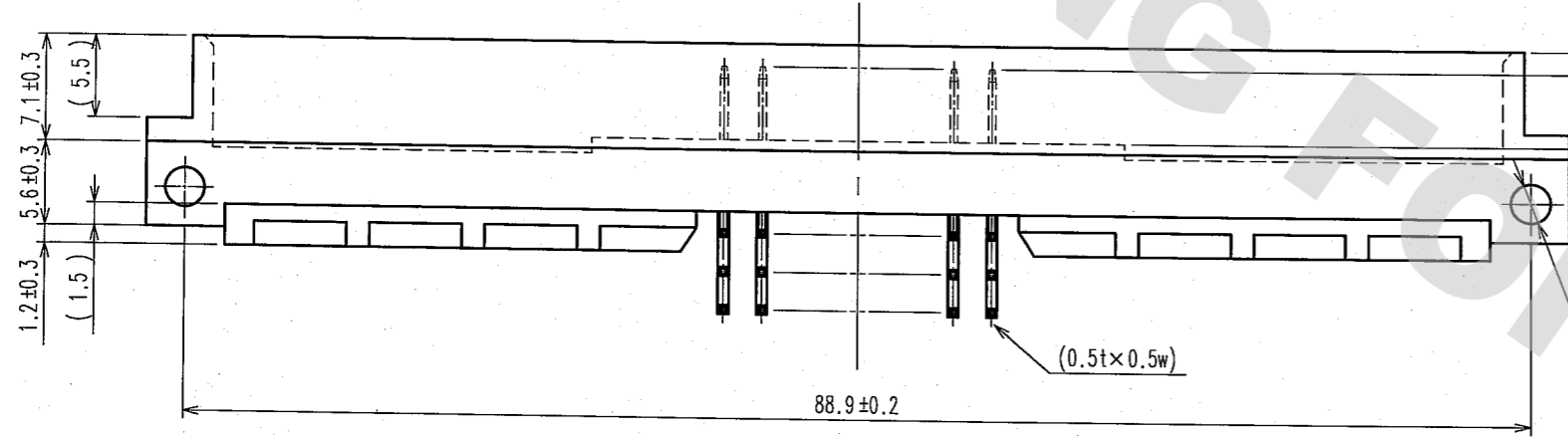
DRAWING FOR REFERENCE: This is subject to change without notice
08/11/2012

TO
PCK

COUNT	DESCRIPTION OF REVISIONS	BY	CHKD	DATE	COUNT	DESCRIPTION OF REVISIONS	BY	CHKD	DATE



RECOMMENDED P.C.B HOLE PATTERN(t=1.6±0.1)



LOT NO. MARKING

2~4	BRASS	CONTACT AREA: Ni2.5μm+Au0.2μm
1	PBT	MOUNTING AREA: Ni2.5μm+Sn2μm
NO.	MATERIAL	FINISH, REMARKS

CODE NO. (OLD) CL	DRAWN H. Saitou 05.10.28	DESIGNED H. Saitou 05.10.28	CHECKED S. Tomioka 05.10.31	APPROVED K. Akijama 05.10.31	RELEASED
SCALE 2 : 1	DRAWING NO. EDC3-020332-01		PART NO. PCN10F-24P-2.54DS(72)		
UNITS mm	HRS HIROSE ELECTRIC CO., LTD		CODE NO. CL583-0341-0-72	1/1	