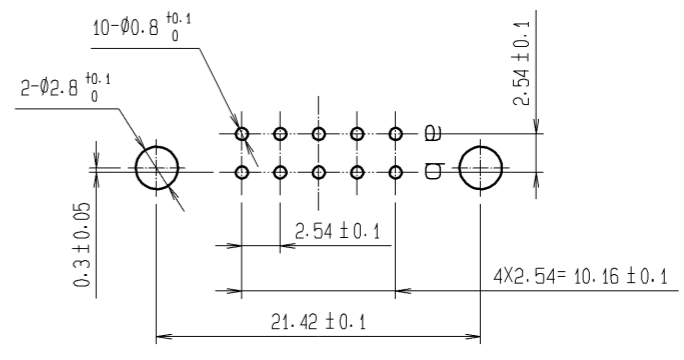
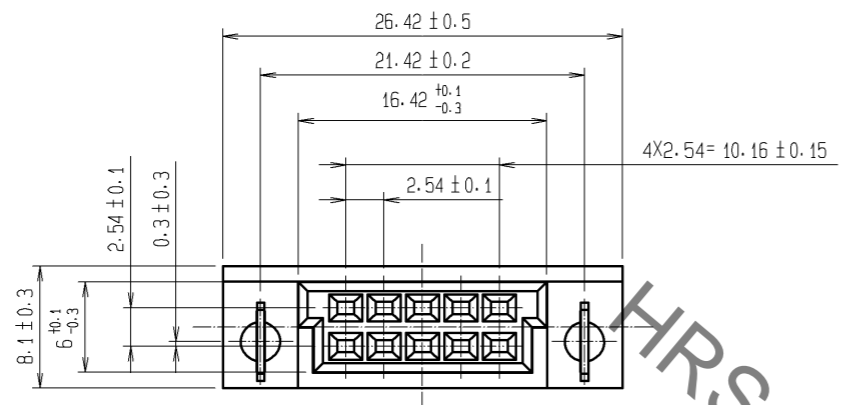
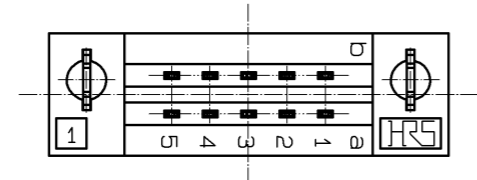
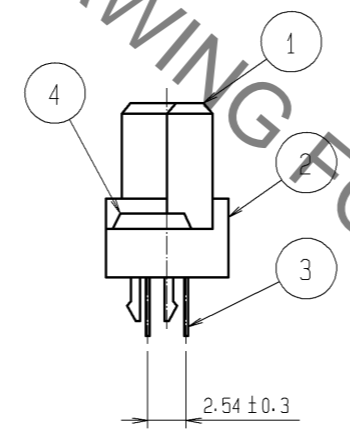
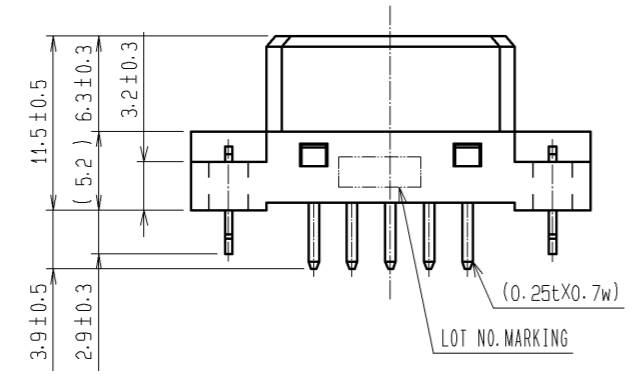


Jan.1.2022 Copyright 2022 HIROSE ELECTRIC CO., LTD. All Rights Reserved.  
 In case of consideration for using Automotive equipment / device which demand high reliability, kindly contact our sales window correspondents.



RECOMMENDED PC BOARD HOLE PATTERN(t=1.6±0.1)



HRS DRAWING FOR REFERENCE

1, 2	PBT	BEIGE, UL-94-0	4	PHOSPHOR BRONZE	Ni1µm+Sn1µm
			3	COPPER ALLOY	CONTACT AREA : Ni1µm+Au0.1µm DIP AREA : Ni1µm+Sn1µm
NO.	MATERIAL	FINISH, REMARKS	NO.	MATERIAL	FINISH, REMARKS
UNITS mm		SCALE 2 : 1		COUNT	DESCRIPTION OF REVISIONS
	HIROSE ELECTRIC CO., LTD.	APPROVED : HS. OKAWA	14.10.28	DESIGNED	CHECKED
		CHECKED : HT. YAMAGUCHI	14.10.28	DATE	
		DESIGNED : KJ. NISHIWAKI	14.10.28	DRAWING NO.	EDC3-019830-02
		DRAWN : KN. YAMAZAKI	14.10.28	PART NO.	PCN12E-10S-2.54DSA(71)
				CODE NO.	CL583-2064-2-71