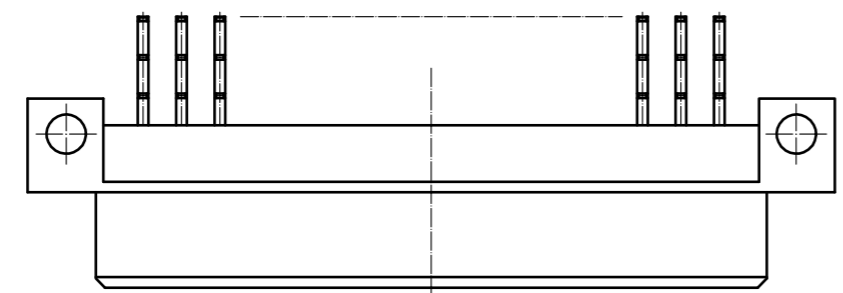
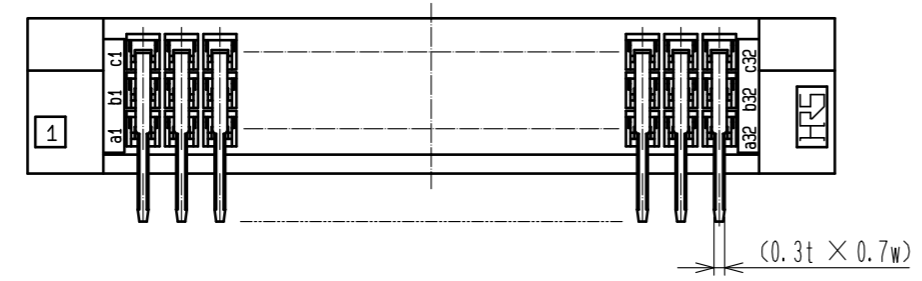
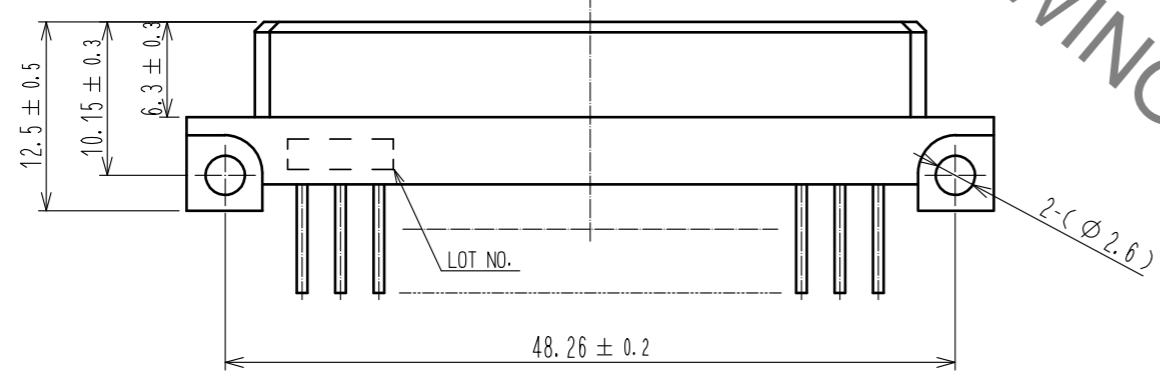
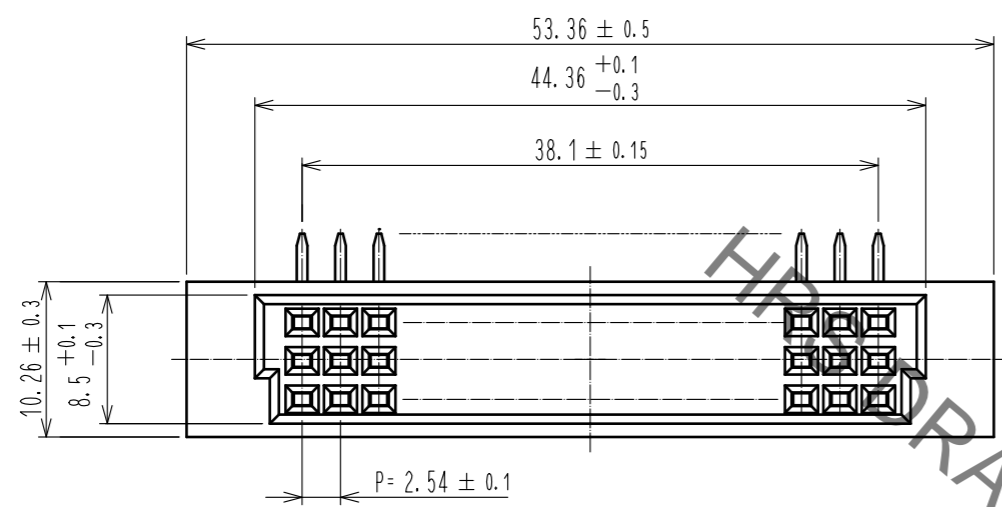
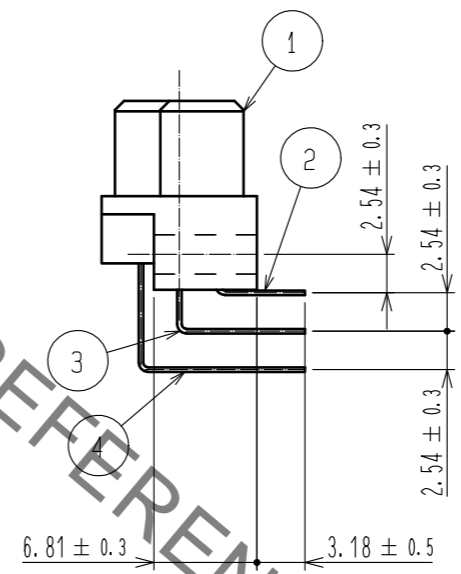
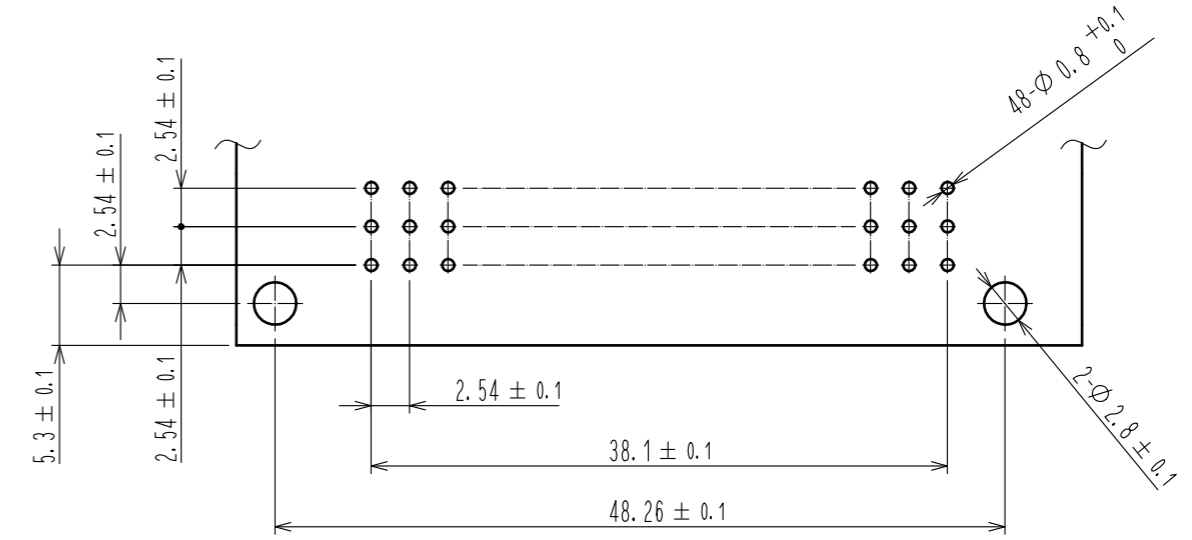


Jan.1.2022 Copyright 2022 HIROSE ELECTRIC CO., LTD. All Rights Reserved.  
In case of consideration for using Automotive equipment / device which demand high reliability, kindly contact our sales window correspondents.



RECOMMENDED HOLE PATTERN (t=1.6±0.1)



THIS DRAWING FOR REFERENCE

1	PBT	Beige (UL94V-0)	4		Contact: Gold Plating 0.1μm min.			
			3	Copper alloy	Lead : Tin Plating 1μm min.			
			2		Under : Nickel Plating 1μm min.			
NO.	MATERIAL	FINISH.	REMARKS	NO.	MATERIAL	FINISH.	REMARKS	
TOLERANCES SEE TABLE FOR SPECIFIED, UNLESS OTHERWISE		UNITS mm	COUNT	DESCRIPTION OF REVISIONS		DESIGNED	CHECKED	DATE
OVER	TO	TOLERANCE	SCALE 2 : 1					
6	18	±0.3	ANGULAR ±1°	APPROVED :NH. NAKATA	20181109	DRAWING NO. EDC-021154-71-00		
6	18	±0.5		CHECKED :HT. YAMAGUCHI	20181108	PART NO. PCN13-48S-2.54DS(71)		
18	50	±0.7		DESIGNED :MT. ITANO	20181108	CODE NO. CL583-3040-0-71		
50	125	±1		DRAWN :YY. YOSHIHARA	20181108			
ASSEMBLY DRAWING								