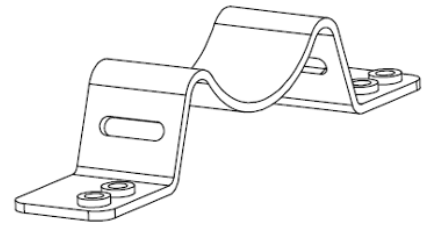


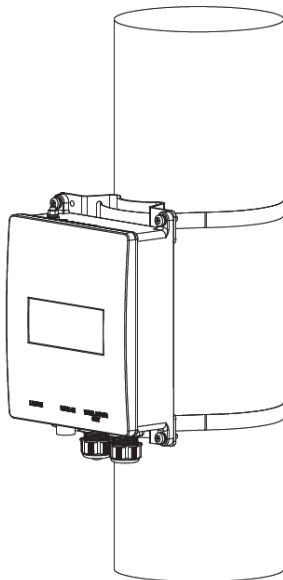
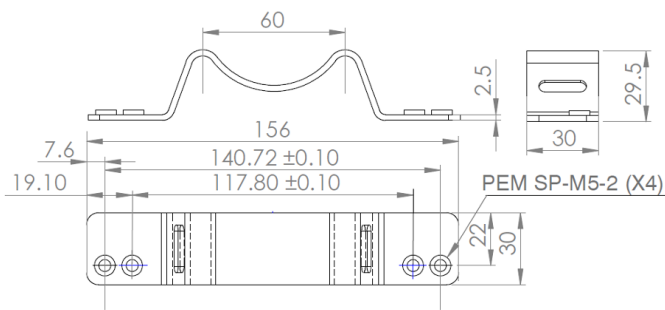
Outdoor Mounting Bracket PD-OUT/MBK/GCO



Summary

Microchip's outdoor mounting bracket PD-OUT/MBK/GCO is designed for small and large poles with diameters ranging from 2.5 inches to 8 inches installations.

Mechanical Dimensions



Technical Specifications

Mounting bracket compatible with Microchip Products	PD-9001GO-ET PD-9001GCO/AC PD-9501GCO/AC PD-9501-5(10,25)GCO/AC(DC) PD-9601GCO/AC
Environment	Indoor/Outdoor
Pole mount	2.5" < ϕ < 8" (63.5 mm < ϕ < 203.2 mm)
Material	Stainless Steel SUS304
Weight	0.5 Kg. (1.1 lbs)
Warranty	3 years

Features

- Robust installation
- Ease of the installation process
- Indoor and outdoor environments

PD-OUT/MBK/GCO package includes the followings items

Component	Quantity	Description
	4	Screw PH M5X18 Lock+Spring washer
	2	Worm Clamp
	2	Pole Bracket

Technical Support

For technical support, please visit the Microchip Technical Support Portal at www.microchip.com/support.

Ordering Information

Part Number	Name	Description
PD-OUT/MBK/GCO	Outdoor MBK	Mounting Bracket for GCO family

Contact Microchip for other options

About Microchip mPoE



Microchip multi-Power over Ethernet (mPoE) is a technology that powers any wired network device seamlessly and efficiently, making it the ideal solution for Ethernet-based applications. Leveraging a uniquely designed algorithm, this technology solves interoperability issues between different PoE standards and legacy solutions to provide an international network power standard. As a pioneer in PoE technology, we offer a comprehensive end-to-end portfolio of PoE solutions comprised of PoE ICs and PoE systems (midspans/injectors and switches).