



## Features

- Single and dual section control
- Metal shaft styles
- Carbon element
- Center and multiple detent options
- Wide range of resistance tapers
- Plain or knurled shaft options



## PDB18 Series - 17 mm Rotary Potentiometer

### Electrical Characteristics

Taper..... Linear, audio  
 Standard Resistance Range  
 ..... 1 K ohms to 1 M ohms  
 Standard Resistance Tolerance..... ±20 %  
 Residual Resistance ..... 1 % max.

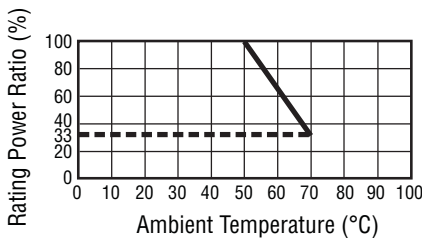
### Environmental Characteristics

Operating Temperature .... -10 °C to +50 °C  
 Power Rating  
 Linear ..... 0.2 watt  
 Dual Section..... 0.125 watt  
 Audio ..... 0.1 watt  
 Dual Section..... 0.06 watt  
 Maximum Operating Voltage  
 Linear ..... 200 V  
 Audio ..... 150 V  
 Sliding Noise ..... 47 mV max.

### Mechanical Characteristics

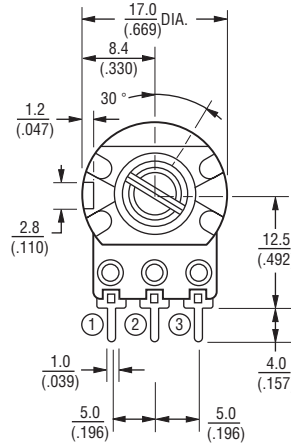
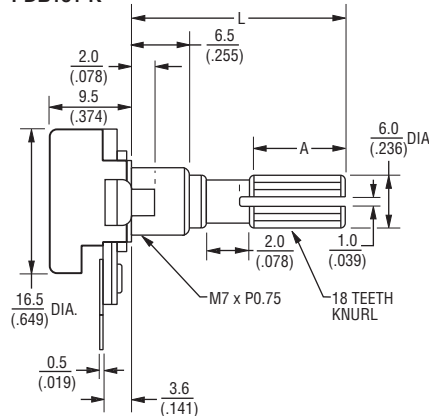
Mechanical Angle ..... 300 ° ±5 °  
 Rotational Torque ..... 10 to 150 gf-cm  
 Detent Torque ..... 150 to 500 g-cm  
 Stop Strength ..... 5 kg-cm min.  
 Rotational Life ..... 15,000 cycles  
 Soldering Condition  
 ..... 260 °C max. within 3 seconds  
 Hardware ..... One flat washer and  
 mounting nut supplied per  
 potentiometer with bushing

### Derating Curve



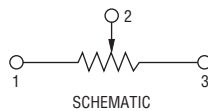
### Product Dimensions

PDB181-K

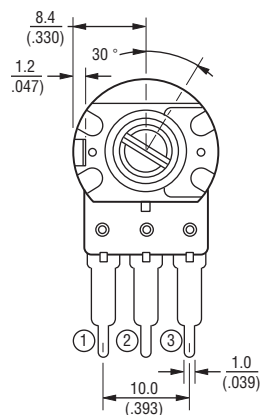
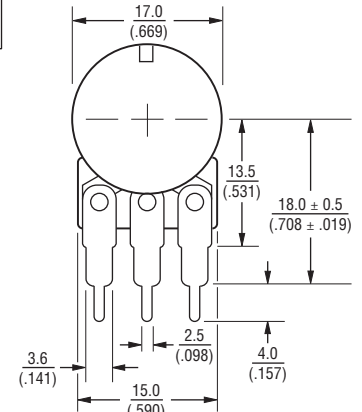
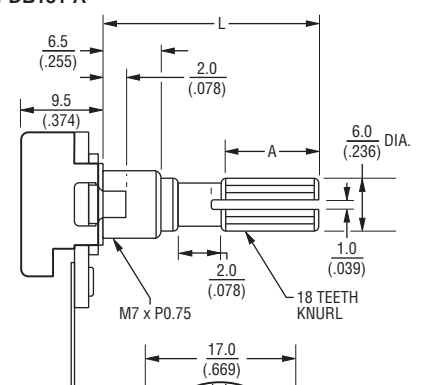


SHAFT SHOWN IN CCW POSITION

DIMENSIONS:  $\frac{\text{MM}}{\text{(INCHES)}}$



PDB181-A



SHAFT SHOWN IN CCW POSITION



**WARNING Cancer and Reproductive Harm**  
[www.P65Warnings.ca.gov](http://www.P65Warnings.ca.gov)

\*RoHS Directive 2015/863, Mar 31, 2015 and Annex.

Specifications are subject to change without notice.

Users should verify actual device performance in their specific applications.

The products described herein and this document are subject to specific disclaimers as set forth on the last page of this document, and at [www.bourns.com/legal/disclaimer.pdf](http://www.bourns.com/legal/disclaimer.pdf).

## Additional Features

- Linear, audio and reverse audio taper options
- RoHS compliant\*

## Applications

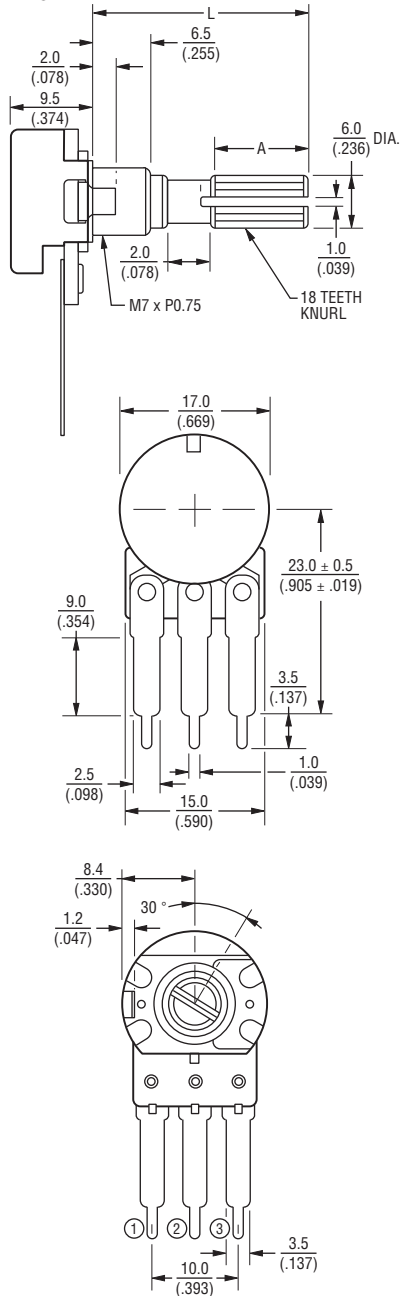
- Audio/TV sets
- Amplifiers/mixers/drum machines/synthesizers
- PCs/monitors
- Appliances

# PDB18 Series - 17 mm Rotary Potentiometer

# BOURNS®

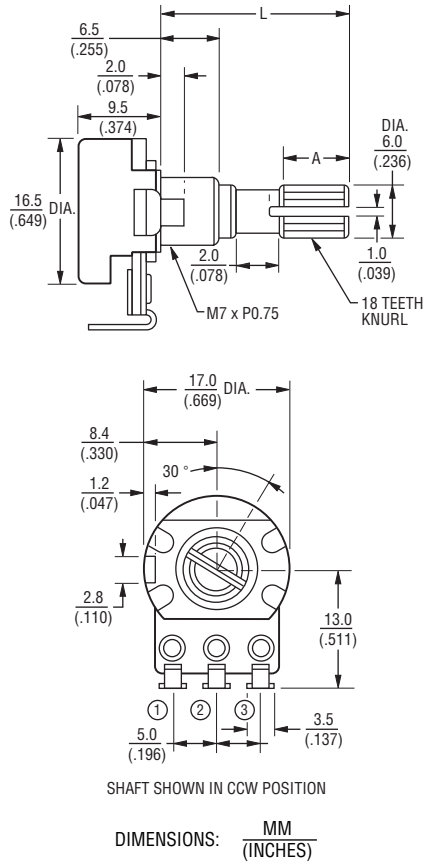
## Product Dimensions

PDB181-B



SHAFT SHOWN IN CCW POSITION

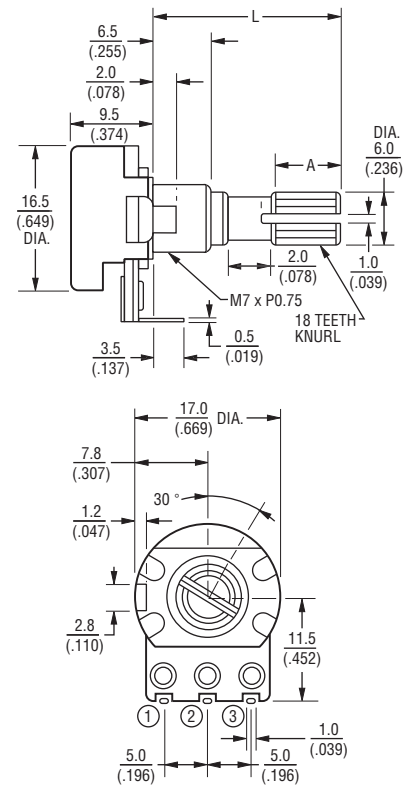
PDB181-E



SHAFT SHOWN IN CCW POSITION

DIMENSIONS:  $\frac{\text{MM}}{\text{(INCHES)}}$

PDB181-D



SHAFT SHOWN IN CCW POSITION

Specifications are subject to change without notice.

Users should verify actual device performance in their specific applications.

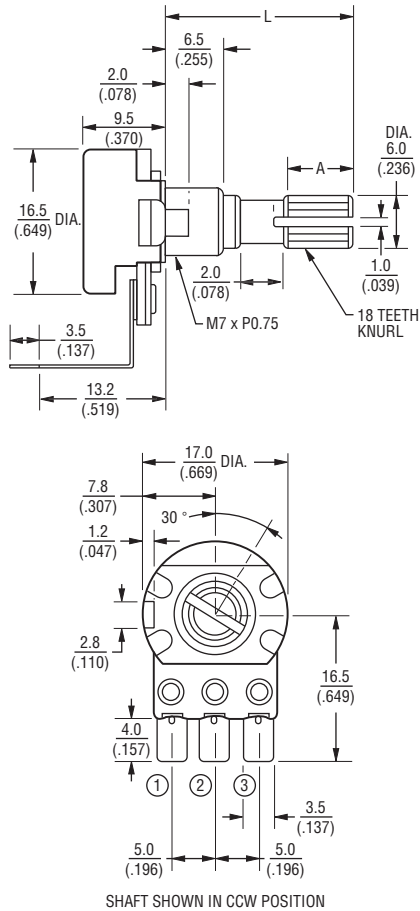
The products described herein and this document are subject to specific legal disclaimers as set forth on the last page of this document, and at [www.bourns.com/docs/legal/disclaimer.pdf](http://www.bourns.com/docs/legal/disclaimer.pdf).

# PDB18 Series - 17 mm Rotary Potentiometer

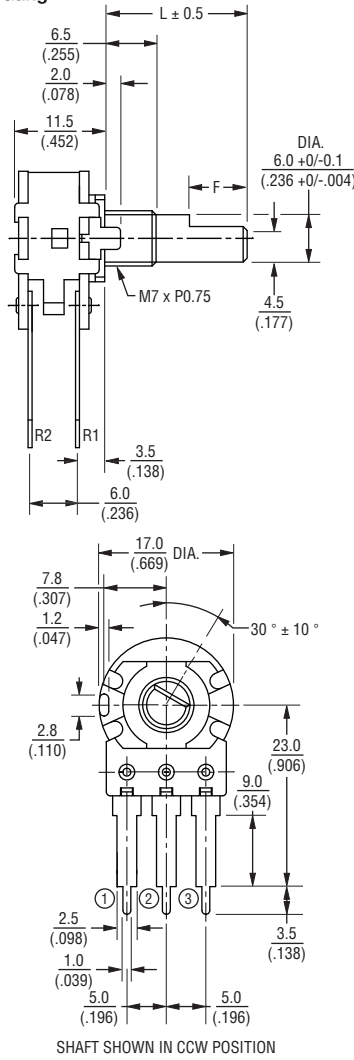
**BOURNS®**

## Product Dimensions

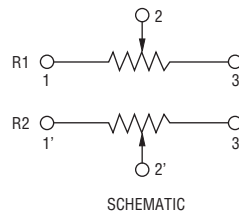
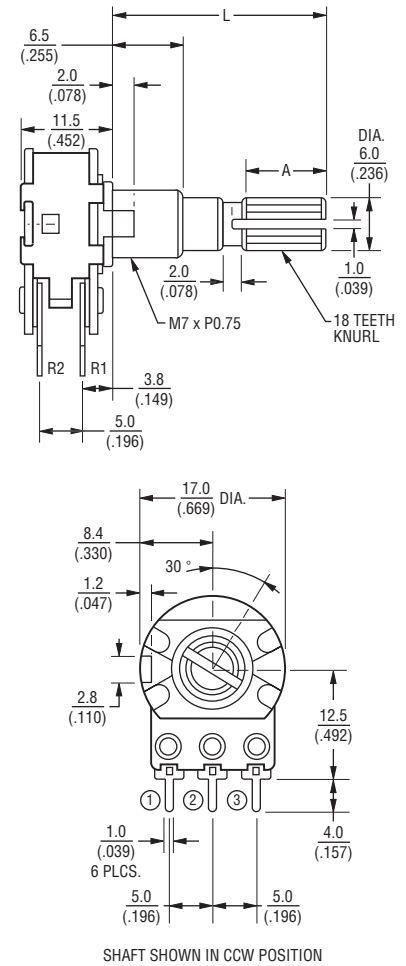
**PDB181-P**



**PDB182-B  
Dual Gang**



**PDB182-K  
Dual Gang**



DIMENSIONS:  $\frac{\text{MM}}{\text{(INCHES)}}$

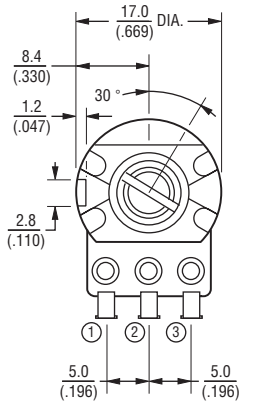
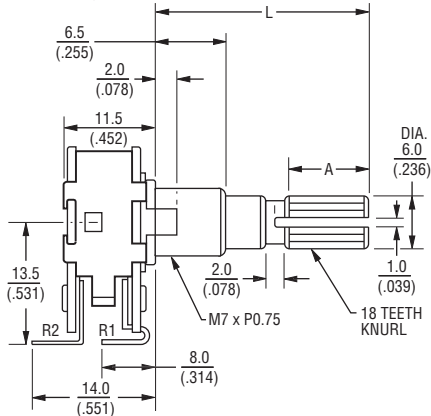
Specifications are subject to change without notice. Users should verify actual device performance in their specific applications. The products described herein and this document are subject to specific legal disclaimers as set forth on the last page of this document, and at [www.bourns.com/docs/legal/disclaimer.pdf](http://www.bourns.com/docs/legal/disclaimer.pdf).

# PDB18 Series - 17 mm Rotary Potentiometer

**BOURNS®**

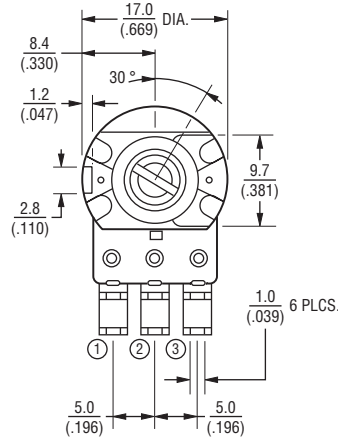
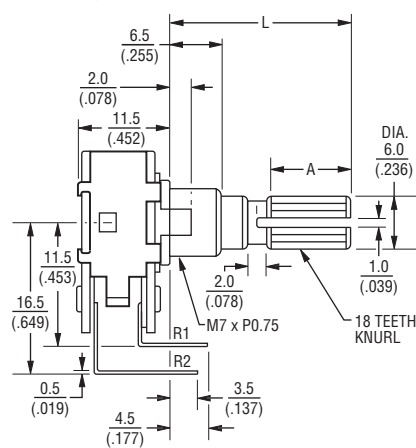
## Product Dimensions

**PDB182-E  
Dual Gang**



SHAFT SHOWN IN CCW POSITION

**PDB182-D  
Dual Gang**



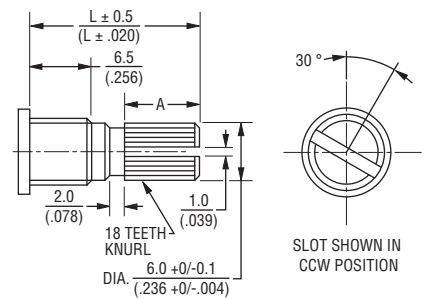
SHAFT SHOWN IN CCW POSITION

DIMENSIONS:  $\frac{\text{MM}}{\text{(INCHES)}}$

## Shaft Styles

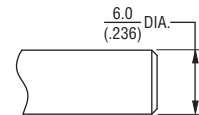
**K Type**

L	$\frac{15}{(.591)}$	$\frac{18}{(.709)}$	$\frac{20}{(.787)}$	$\frac{25}{(.984)}$	$\frac{30}{(1.181)}$
A	$\frac{6.5}{(.256)}$	$\frac{6.5}{(.256)}$	$\frac{11.5}{(.453)}$	$\frac{14}{(.551)}$	$\frac{19}{(.748)}$



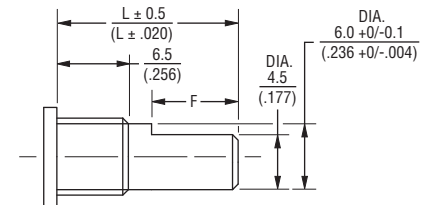
**P Type**

L	$\frac{20}{(.787)}$	$\frac{25}{(.984)}$	$\frac{30}{(1.181)}$
---	---------------------	---------------------	----------------------



**F Type**

L	$\frac{15}{(.591)}$	$\frac{20}{(.787)}$	$\frac{25}{(.984)}$	$\frac{30}{(1.181)}$	$\frac{35}{(1.378)}$
F	$\frac{7}{(.276)}$	$\frac{12}{(.472)}$	$\frac{12}{(.472)}$	$\frac{12}{(.472)}$	$\frac{12}{(.472)}$



Specifications are subject to change without notice.

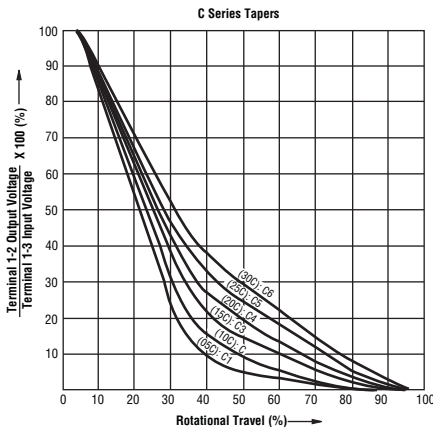
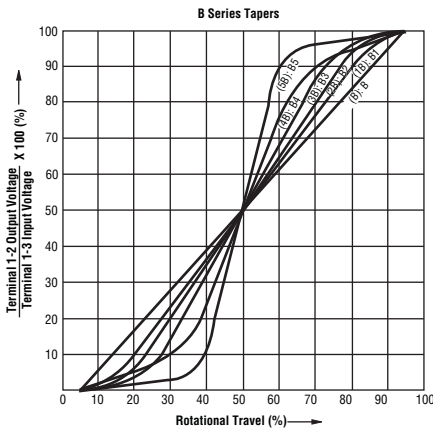
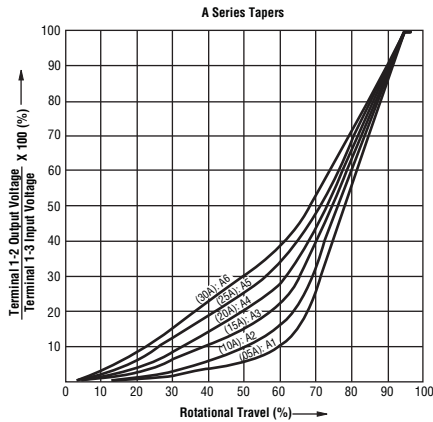
Users should verify actual device performance in their specific applications.

The products described herein and this document are subject to specific legal disclaimers as set forth on the last page of this document, and at [www.bourns.com/docs/legal/disclaimer.pdf](http://www.bourns.com/docs/legal/disclaimer.pdf).

# PDB18 Series - 17 mm Rotary Potentiometer

**BOURNS®**

## Tapers



## How To Order

**PDB18 1 - K 4 25 K - 103 A1**

- Model \_\_\_\_\_
- Number of Sections \_\_\_\_\_
- 1 = Single Section
  - 2 = Dual Section
- Terminal Configuration (Pin Layout) \_\_\_\_\_  
(see individual drawings)
- K = PC Pins vertical/Down Facing (12.5 mm)
  - A = PC Pins vertical/Down Facing (18.0 mm)
  - B = PC Pins vertical/Down Facing (23.0 mm)
  - E = Solder Lugs Rear Facing
  - P = PC Pins Rear Facing
  - D = PC Pins Front Facing
- Detent Option \_\_\_\_\_
- 2 = Center Detent
  - 4 = No Detents
  - 5 = 10 Detent / 11 Position
  - 6 = 20 Detent / 21 Position
  - 7 = 30 Detent / 31 Position
  - 8 = 40 Detent / 41 Position
- Standard Shaft Length \_\_\_\_\_
- 15 = 15 mm
  - 18 = 18 mm
  - 20 = 20 mm
  - 25 = 25 mm
  - 30 = 30 mm
- Shaft Style \_\_\_\_\_
- F = Metal Flatted Shaft
  - K = Metal Knurled Type Shaft 18 Toothed Serration Type
  - P = Metal Plain Shaft
- Resistance Code (See Table) \_\_\_\_\_
- Resistance Taper (See Taper Charts) \_\_\_\_\_  
Taper Series followed by Curve Number
- Other styles available.

## Standard Resistance Table

Resistance (Ohms)	Resistance Code
1,000	102
2,000	202
5,000	502
10,000	103
20,000	203
50,000	503
100,000	104
200,000	204
500,000	504
1,000,000	105

**BOURNS®**

Asia-Pacific: Tel: +886-2 2562-4117 • Email: asiacus@bourns.com

EMEA: Tel: +36 88 885 877 • Email: eurocus@bourns.com

The Americas: Tel: +1-951 781-5500 • Email: americus@bourns.com

www.bourns.com

REV. 10/19

Specifications are subject to change without notice.

Users should verify actual device performance in their specific applications.

The products described herein and this document are subject to specific legal disclaimers as set forth on the last page of this document, and at [www.bourns.com/docs/legal/disclaimer.pdf](http://www.bourns.com/docs/legal/disclaimer.pdf).