

# PDC-W240

## 24" Medical-Grade LCD Monitor



### Features

- Wide 24" screen with Full HD 1920 x 1080 resolution
- Professional 2.3-megapixel color LCD monitor
- Pre-set DICOM, switchable to Gamma 2.2
- Supports USB hub function and AC power input
- Medical-grade device with IP54 rating
- PCAP touchscreen (optional)

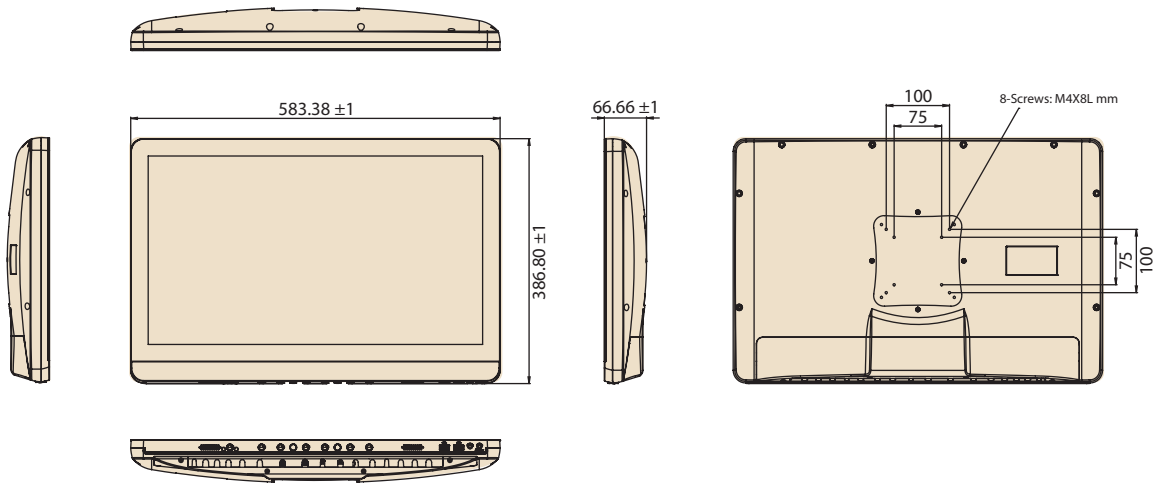


### Specifications

|                          |                             |   |
|--------------------------|-----------------------------|---|
| Display                  | Display Type                | 23.8" wide TFT color LCD (16:9)                             |
|                          | Type                        | IPS   |
|                          | Max. Resolution             | 1920 x 1080   |
|                          | Max. Colors                 | 16.7 M colors (6-bits+A-FRC)                                |
|                          | Pixel Pitch (mm)            | 0.2745 x 0.2745   |
|                          | Contrast Ratio              | 1000:1 (Typ.)   |
|                          | Luminance                   | 250 cd/m <sup>2</sup> (Typ.)                                |
|                          | Viewing Angle (H/V)         | 178/178°  |
|                          | Response Time               | 25ms (Typ., on/off)   |
|                          | Backlight                   | LED   |
| LCD MTBF                 | 30,000 Hours                |   |
| I/O Ports                | HDMI                        | 1   |
|                          | DP                          | 1   |
|                          | DVI                         | 1   |
|                          | VGA                         | 1   |
|                          | P-cap USB (Type B)          | 1 (Upstream port)   |
|                          | USB                         | USB 2.0 x 2 (Downstream Port)                               |
|                          | Audio out                   | 1   |
|                          | Speaker                     | Left/ Right   |
| Optional Functions       | DICOM                       | Compatible to DICOM Part 14                                 |
| Optional Touch Screen    | Type                        | Full-Flat Projected Capacitive 10-points (AR)               |
|                          | Light transmission          | 90%   |
|                          | Controller                  | USB interface   |
|                          | Durability                  | >100 million touches  |
| Power Supply             | Input voltage               | 100 ~ 250 V <sub>AC</sub> , 0.6 A, 60/50 Hz universal       |
|                          | Output voltage              | 12V <sub>DC</sub> , 5A max, (65W)                           |
| Power Consumption        |                             | 30 W  |
| Environment              | Temperature                 | 0 ~ 40° C (Operating)                                       |
|                          | Humidity                    | 10 ~ 95% @ 40° C (non-condensing)                           |
|                          | Vibration /Shock Resistance | 5 ~ 500 Hz, 1G acceleration / 30G half sine, 11 ms duration |
|                          | Water/dust Resistance       | IP54 for whole system                                       |
| Physical Characteristics | Dimensions (W x H x D)      | 583 x 386 x 66 mm (22.95" x 15.19" x 2.60")                 |
|                          | Weight                      | 7.2 kg  |
|                          | Mounting                    | VESA 100 x 100 mm/ 75 x 75 mm                               |

## Dimensions

Unit: mm



## Order Information

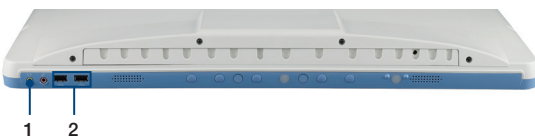
| Part Number      | Touch Panel | Adapter & Cable |
|------------------|-------------|-----------------|
| PDC-W240-A10-ATE | Yes         | Adapter         |
| PDC-W240-A10-AGE | No          | Adapter         |

## Accessories

| Part Number        | Description                              |
|--------------------|--|
| PDC-W215-STAND-H3E | PDC-W215 STAND_H3-741L type_6~12kg Black |
| 1700001524         | Power Cable (USA) 1.8 M                  |
| 170203183C-01      | Power Cable (Europe) 1.8M                |
| 170203180A-01      | Power Cable (UK) 1.8M                    |

## I/O Ports

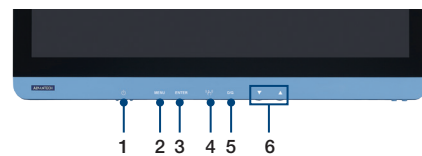
### Front



(1) Audio Out

(2) 2 USB 2.0

## Front Function Keys



(1) Power

(2) Menu

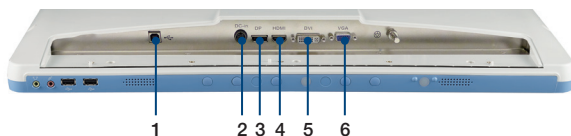
(3) Enter

(4) Touchscreen Status Control

(5) Color Mode

(6) Down/Up

### Rear



(1) P-cap USB (Type B)

(2) Power DC-in

(3) DP port

(4) HDMI input port

(5) DVI port

(6) VGA port