

## 2-18GHz 2-way Wilkinson Power Divider

**PDW06933**

### DESCRIPTION

DLI's 2-18GHz 2-way power divider / combiner offers unmatched size and performance. This power divider utilizes DLI's low loss temperature stable materials which offer small size and minimal performance variation over temperature.

### FEATURES

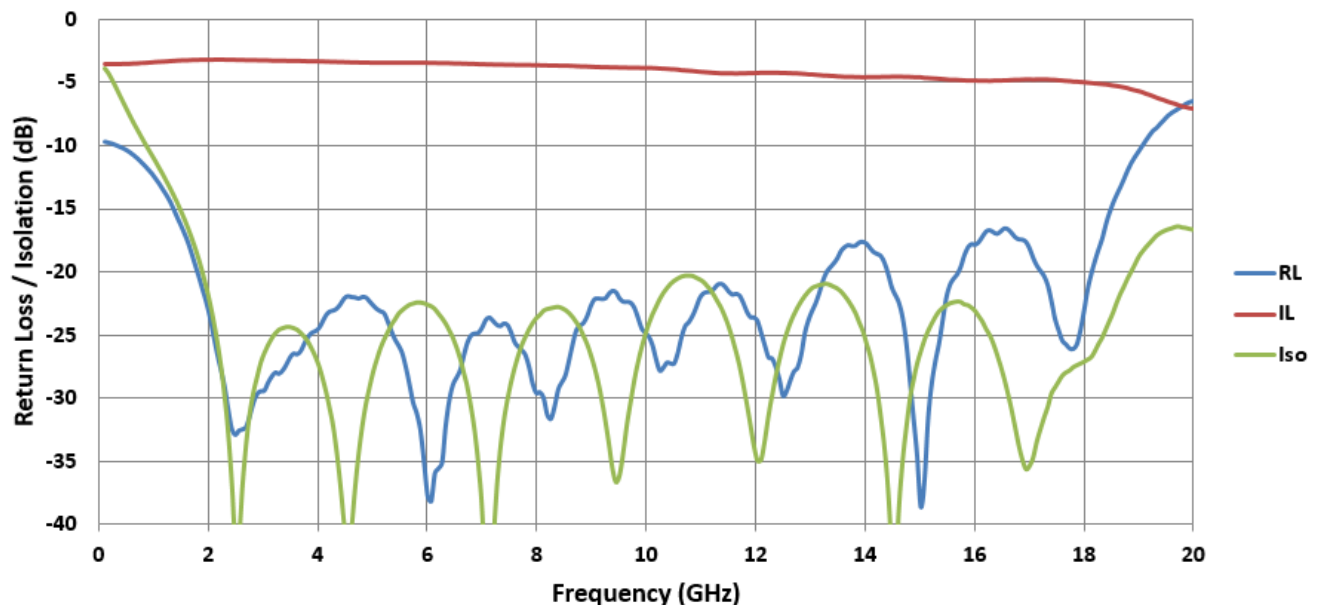
- Small Size
- Frequency Stable over Temperature
- Epoxy Mount Wirebondable Package
- Excellent Repeatability
- Moisture Sensitivity Level: MSL1
- Operating & Storage Temp: -55°C to +125°C
- Characteristic Impedance: 50Ω

### SPECIFICATIONS\*

Parameter	Frequency Range (GHz)	Min	Typ.	Max	
Nominal Power Splitting (dB)	2-18		3.0		
Nominal Phase Shift (Deg)			0.0		
Amplitude Balance (dB)					± .25
Phase Balance (Deg)					± 5.0
Excess Insertion Loss (dB)					2.5
Return Loss (dB)		14	18		
Isolation (dB)				20	
Input Power (W) <sup>1</sup>					5

\*Electrical specifications based on typical probed performance at room temperature. Insertion loss shall vary ±0.5dB over temperature.

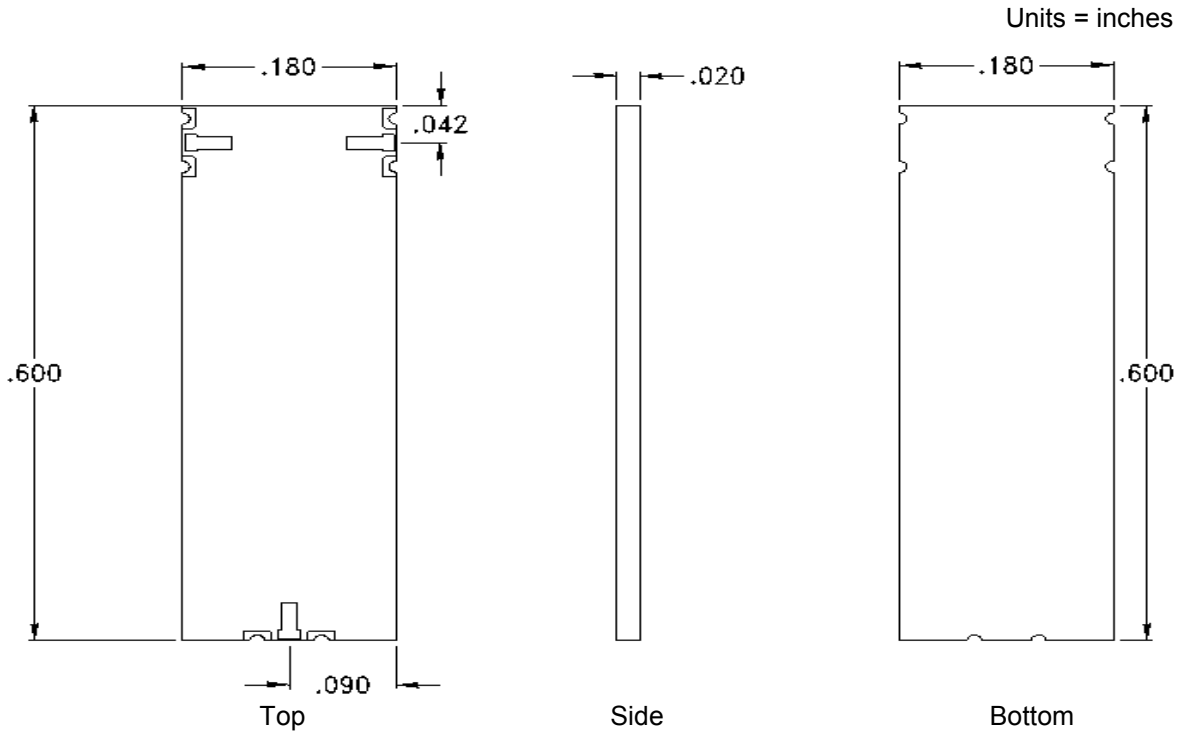
### Typical Measured Performance



# 2-18GHz 2-way Wilkinson Power Divider

**PDW06933**

## Physical Dimensions



## Recommended PCB Layout

