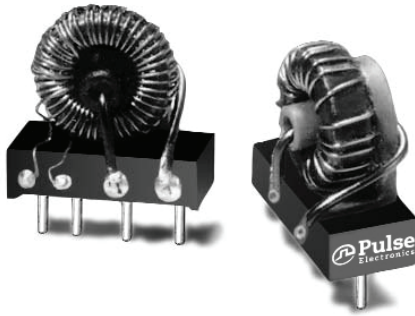


# 500kHz THT Current Sense Transformers & Inductors



- Frequency range from 200 to 500kHz
- 1250V<sub>RMS</sub> isolation
- 20 Amp peak sense current

## Electrical Specifications @ 25°C - Operating Temperature -40°C to 130°C

Part Number Inductor	Part Number Transformer	RT <sup>1</sup> (Ω)	Secondary Turns <sup>2</sup> N <sub>s</sub>	Secondary Inductance <sup>3</sup> (μH MIN)	DCR Secondary (Ω MAX)	DCR Primary (Ω)	V <sub>s</sub> (mV)
PE-52877NL	PE-64977NL	3.00	20	600	.097	.006	60
PE-52878NL	PE-64978NL	7.50	50	4000	.240	.006	160

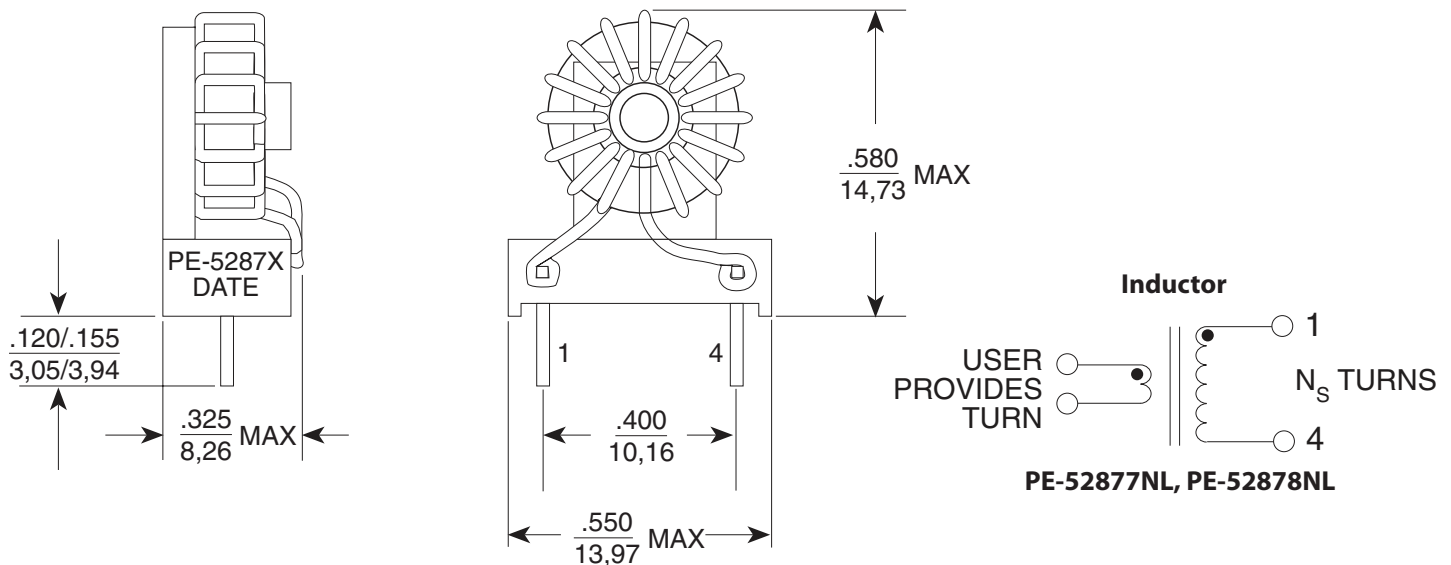
**Notes:**

1. Terminating resistance for .15 Volt/Amp
2. ±1 turn
3. @ 100kHz, @ V<sub>s</sub>

### Mechanicals

### Schematics

#### PE-52877NL, PE-52878NL



**Dimensions:** Inches  
mm

Unless otherwise specified, all tolerances are ±  $\frac{.010}{0,25}$

USA 858 674 8100

Germany 49 7032 7806 0

Singapore 65 6287 8998

Shanghai 86 21 62787060

China 86 755 33966678

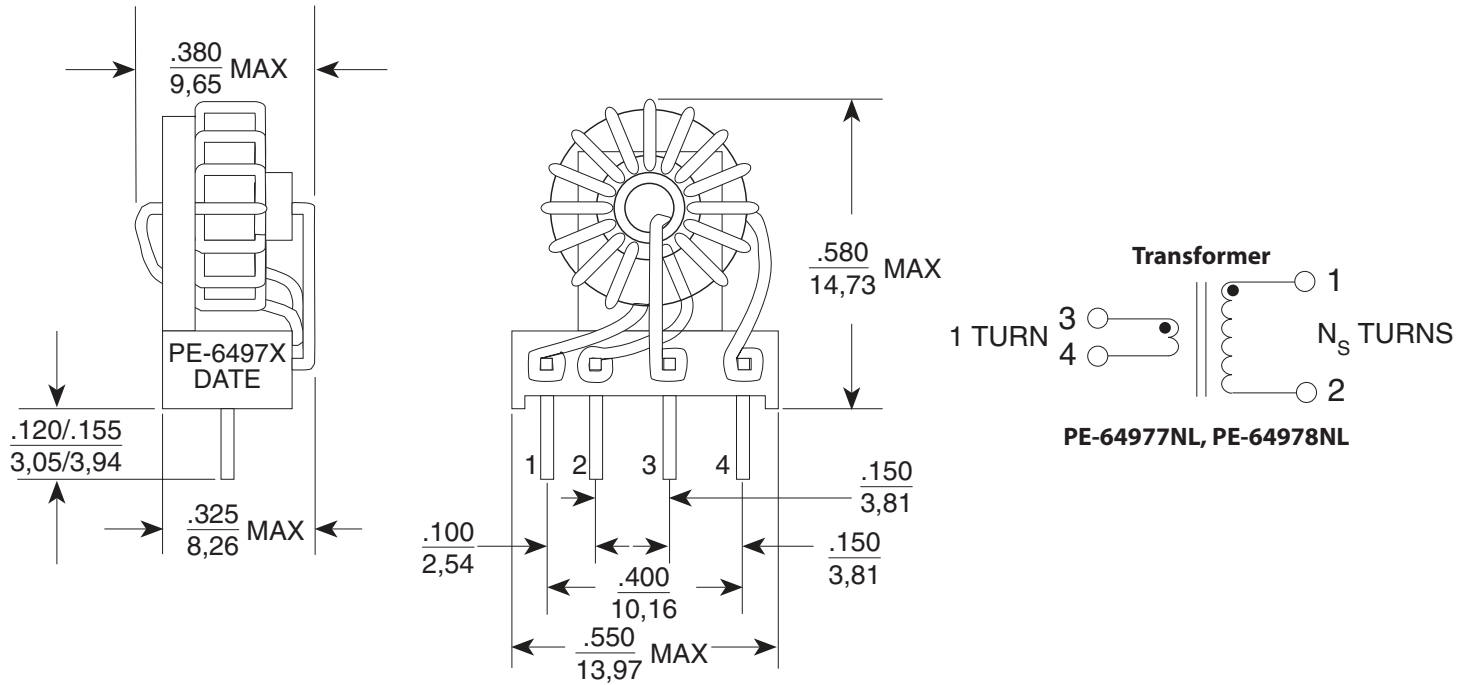
Taiwan 886 3 4356768

# 500kHz THT Current Sense Transformers & Inductors

Mechanicals (continued)

Schematics

PE-64976, PE-64977, PE-64978



Dimensions:  $\frac{\text{Inches}}{\text{mm}}$

Unless otherwise specified, all tolerances are  $\pm \frac{.010}{0,25}$

## For More Information

### Pulse Worldwide Headquarters

12220 World Trade Drive  
San Diego, CA  
92128  
U.S.A.

Tel: 858 674 8100

### Pulse Europe

Einsteinstrasse 1  
D-71083 Herrenberg  
Germany

Tel: 49 7032 7806

### Pulse China Headquarters

B402, Shenzhen Academy of  
Aerospace Technology Bldg.  
10th Kejian Road  
High-Tech Zone  
Nanshan District  
Shenzhen, PR China  
518057

### Pulse North China

Room 2704/2705  
Super Ocean Finance  
Ctr.  
2067 Yan An Road  
West  
Shanghai 200336  
China

### Pulse South Asia

135 Joo Seng Road  
#03-02  
PM Industrial Bldg.  
Singapore 368363

Tel: 65 6287 8998  
Fax: 65 6287 8998

### Pulse North Asia

3F, No. 198  
Zhongyuan Road  
Zhongli City  
Taoyuan County 320  
Taiwan R. O. C.  
Tel: 886 3 4356768  
Fax: 886 3 4356823  
(Pulse)

Performance warranty of products offered on this data sheet is limited to the parameters specified. Data is subject to change without notice. Other brand and product names mentioned herein may be trademarks or registered trademarks of their respective owners. © Copyright, 2015. Pulse Electronics, Inc. All rights reserved.