



Features

- Compact design, long life and high reliability
- Low cost compared to optical type encoders
- Available in a wide variety of configurations to meet many user requirements



PEC16 - 16 mm Incremental Encoder

Electrical Characteristics

| | |
|---------------------------------|-----------------------|
| Output..... | 2-bit quadrature code |
| Closed Circuit Resistance..... | 3 ohms maximum |
| Contact Rating..... | 1 mA @ 5 VDC |
| Insulation Resistance..... | 10 megohms @ 50 VDC |
| Dielectric Withstanding Voltage | |
| Sea Level..... | 50 VAC minimum |
| Electrical Travel..... | Continuous |
| Contact Bounce (15 RPM)..... | 5.0 ms. maximum** |
| RPM (Operating)..... | 100 maximum** |

Environmental Characteristics

| | |
|----------------------------------|-----------------------------------------|
| Operating Temperature Range..... | -30 °C to +70 °C (-22 °F to +158 °F) |
| Storage Temperature Range..... | -40 °C to +85 °C (-40 °F to +185 °F) |
| Humidity..... | MIL-STD-202, Method 103B, Condition B |
| Vibration..... | 10~55~10 Hz / 1 min. / Amplitude 1.5 mm |
| Shock..... | 100 G |
| Rotational Life..... | 100,000 cycles minimum |
| Switch Life..... | 20,000 cycles minimum |
| IP Rating..... | IP 40 |
| Moisture Sensitivity Level..... | 1 |
| ESD Classification (HBM)..... | N/A |

Mechanical Characteristics

| | |
|-------------------------------|---------------------------------------------------------------------------|
| Mechanical Angle..... | 360 ° continuous |
| Torque | |
| Running..... | 30.6 to 204 g-cm (0.42 to 2.83 oz.-in.) |
| Mounting..... | 10.2 kgf. cm (8.83 lb.-in.) maximum |
| Shaft Side Load (Static)..... | 3.06 kgf (6.7 lbs.) minimum |
| Weight..... | 8 gm (0.28 oz.) maximum |
| Terminals..... | Printed circuit board terminals |
| Terminals..... | Printed circuit board terminals |
| Soldering Condition | |
| Wave Soldering..... | Sn95.5/Ag2.8/Cu0.7 solder with no-clean flux: 260 °C max. for 3-5 seconds |
| Hand Soldering..... | Not recommended |
| Hardware..... | One flat washer and one mounting nut supplied with each encoder. |

Switch Characteristics

| | |
|------------------------------------|----------------------------------------|
| Switch Type..... | Contact Push ON Momentary SPST |
| Power Rating (Resistive Load)..... | 10 mA at 5 V DC |
| Switch Travel..... | 0.5 +0.4/-0.3 mm |
| Switch Actuation Force..... | 360 +153/-102 gf (5 +2.1/-1.4 oz.-in.) |

How To Order

PEC16 - 4 0 20 F - S 0012

| | |
|-----------------------------|--------------------------------------------------------------------------------------|
| Model..... | PEC16 - 4 0 20 F - S 0012 |
| Terminal Configuration..... | 2 = PC Pin Vertical/Down Facing 4 = PC Horizontal/Rear Facing |
| Detent Option..... | 0 = No Detents 1 = 12 Detents 2 = 24 Detents |
| Standard Shaft Length..... | 15 = 15 mm 25 = 25.0 mm ¹ 20 = 20.0 mm 30 = 30.0 mm ¹ |
| Shaft Style..... | F = Insulated Flatted Shaft |
| Switch Configuration..... | S = Push Momentary Switch N = No Switch |
| Resolution..... | 0012 = 12 Pulses per 360 ° Rotation 0024 = 24 Pulses per 360 ° Rotation |

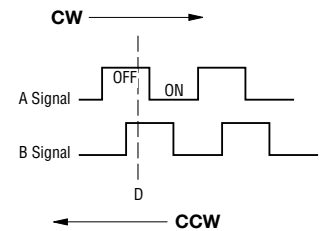
¹ Not available with switch.

Additional Information

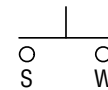
Click these links for more information:



Quadrature Output Table



Switch Circuit



BOURNS®

Asia-Pacific:

Tel: +886-2 2562-4117
Email: asiacus@bourns.com

Europe:

Tel: +36 88 885 877
Email: eurocus@bourns.com

The Americas:

Tel: +1-951 781-5500
Email: americus@bourns.com
www.bourns.com



WARNING
Cancer and Reproductive Harm
www.P65Warnings.ca.gov

*RoHS Directive 2015/863, Mar 31, 2015 and Annex.
**Devices are tested using standard noise reduction filters. For optimum performance, designers should use noise reduction filters in their circuits. Specifications are subject to change without notice. Users should verify actual device performance in their specific applications. The products described herein and this document are subject to specific legal disclaimers as set forth on the last page of this document, and at www.bourns.com/docs/legal/disclaimer.pdf.



CAUTION

Do not store product in high temperature and humidity, direct sunlight and/or places where corrosive gases may be generated. Please use product within 6 months from the date of delivery and promptly after unpacking.

Applications

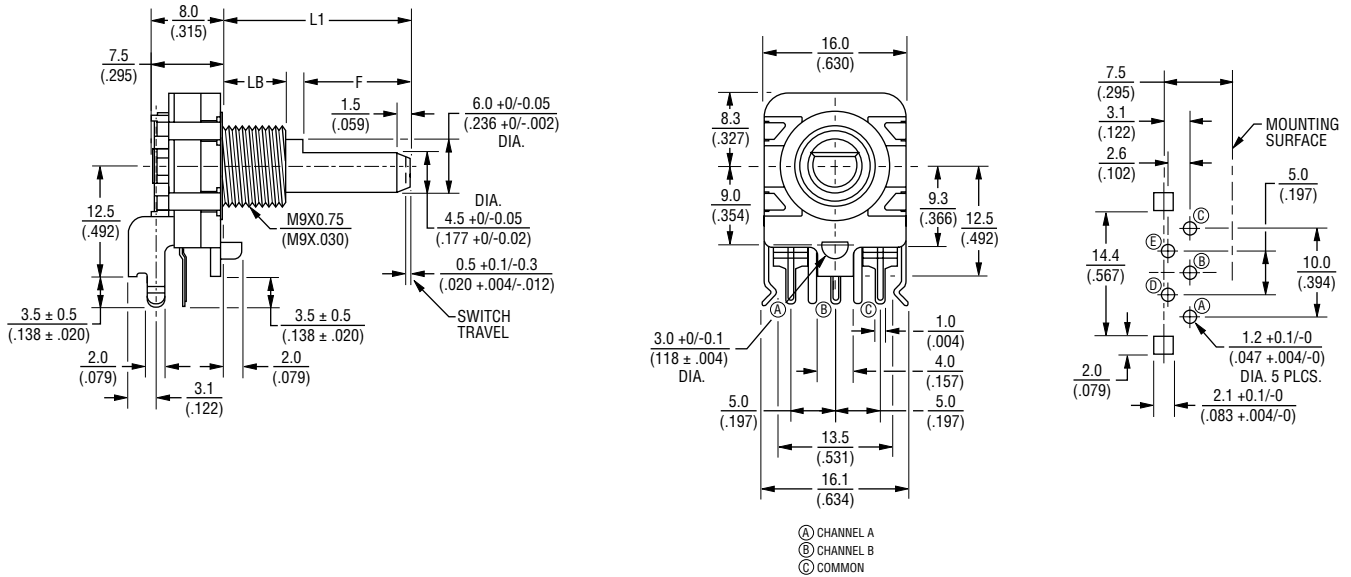
Level control, tuning and timer settings in:

- Audio-visual equipment
- Consumer electric appliances
- Radios
- Musical instrumentation
- Communications equipment

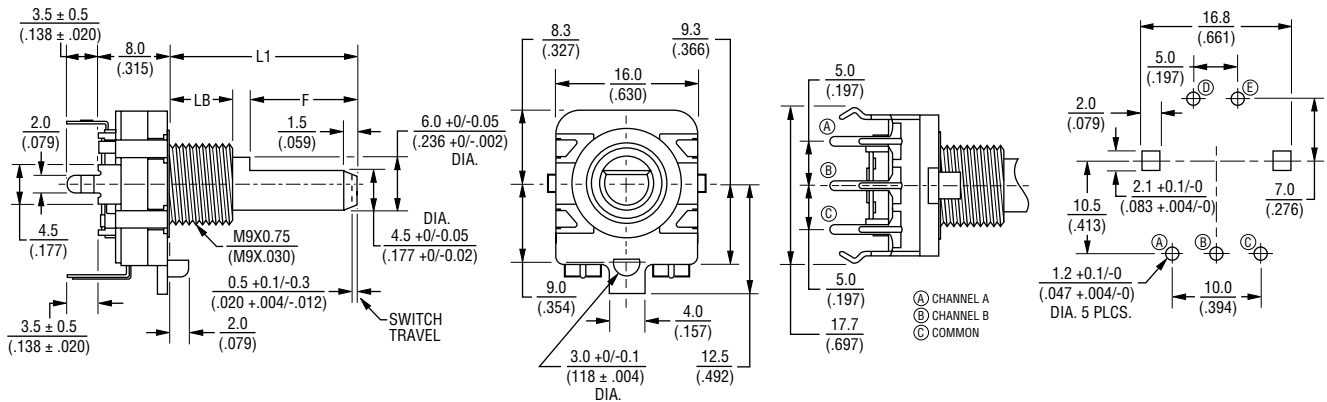
PEC16 - 16 mm Incremental Encoder **BOURNS®**

Product Dimensions

PEC16-2xxxF-Sxxxx



PEC16-4xxxF-Sxxxx



| | | | | |
|----|----------------|----------------|----------------|-----------------|
| L1 | 15.0 (.591) | 20.0 (.787) | 25.0 (.984) | 30.0 (1.181) |
| LB | 5.0 (.197) | 7.0 (.276) | 7.0 (.276) | 7.0 (.276) |
| F | 7.0 (.276) | 12.0 (.472) | 12.0 (.472) | 12.0 (.472) |

DIMENSIONS: $\frac{\text{MM}}{\text{(INCHES)}}$

Specifications are subject to change without notice.

Users should verify actual device performance in their specific applications.

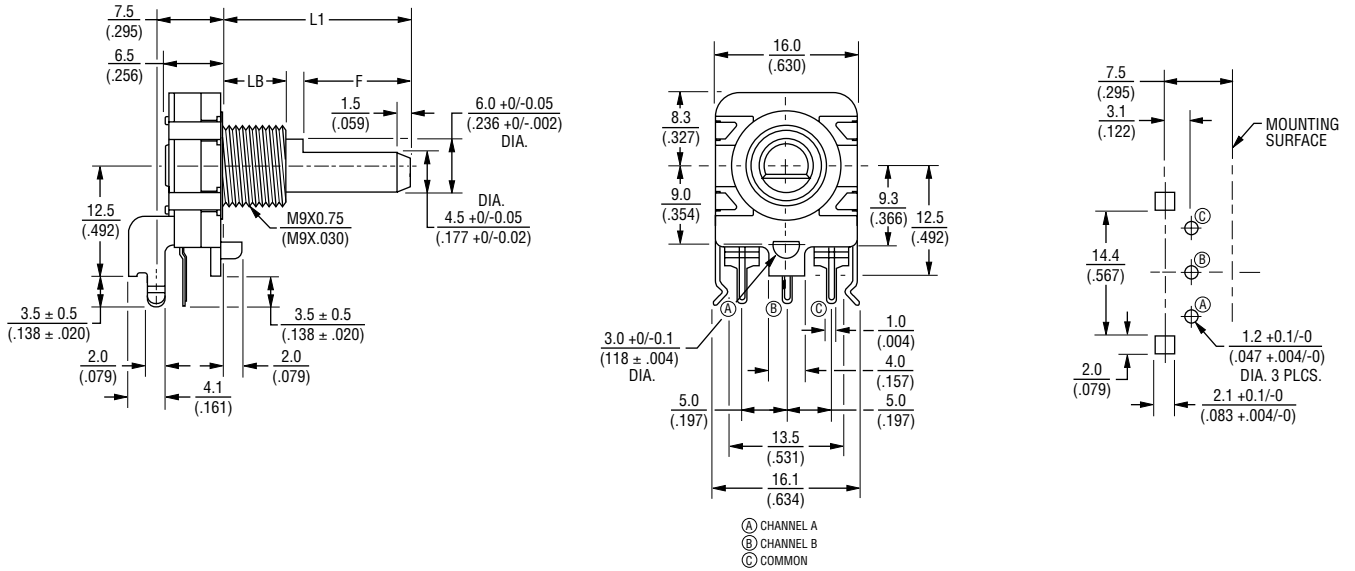
The products described herein and this document are subject to specific legal disclaimers as set forth on the last page of this document, and at www.bourns.com/docs/legal/disclaimer.pdf.

PEC16 - 16 mm Incremental Encoder

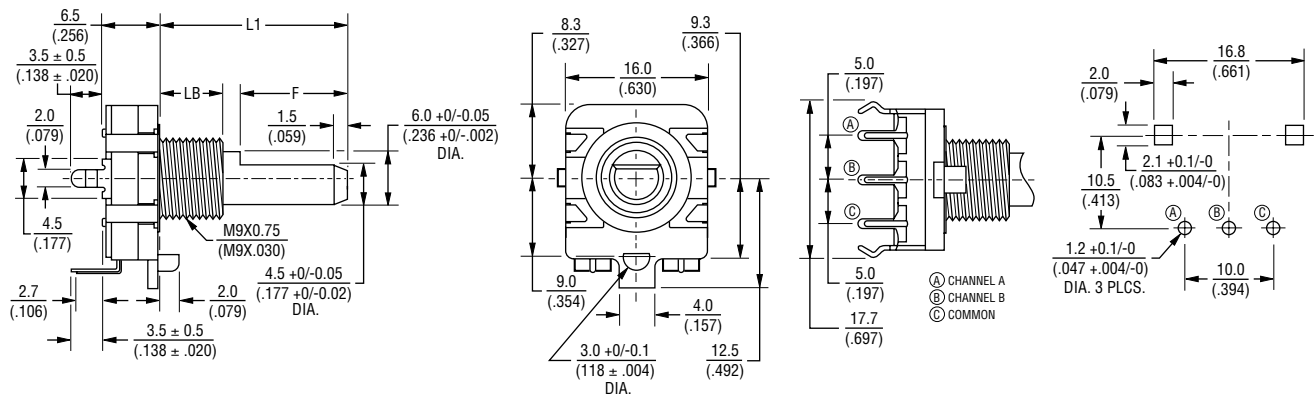
BOURNS®

Product Dimensions

PEC16-2xxxF-Nxxxx



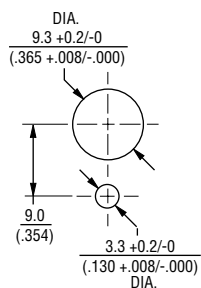
PEC16-4xxxF-Nxxxx



| | | | | |
|----|----------------|----------------|----------------|-----------------|
| L1 | 15.0 (.591) | 20.0 (.787) | 25.0 (.984) | 30.0 (1.181) |
| LB | 5.0 (.197) | 7.0 (.276) | 7.0 (.276) | 7.0 (.276) |
| F | 7.0 (.276) | 12.0 (.472) | 12.0 (.472) | 12.0 (.472) |

DIMENSIONS: $\frac{\text{MM}}{\text{INCHES}}$

Panel Hole Detail



REV. 07/21

Specifications are subject to change without notice.

Users should verify actual device performance in their specific applications.

The products described herein and this document are subject to specific legal disclaimers as set forth on the last page of this document, and at www.bourns.com/docs/legal/disclaimer.pdf.