



Features

- Low profile incremental encoder
- High-class rotational feel
- Haptic detent feedback
- RoHS compliant*

PER35 - 35 mm Low Profile Incremental Ring Encoder

Additional Information

Click these links for more information:



Electrical Characteristics

Output.....3-phase quadrature code
 Contact Rating..... 1 mA @ 5 V DC
 Insulation Resistance
100 Mohms @ 250 V DC
 Dielectric Withstanding Voltage
 Sea Level.....300 V AC
 Electrical Travel.....Continuous
 Contact Bounce..... 3 ms max.**

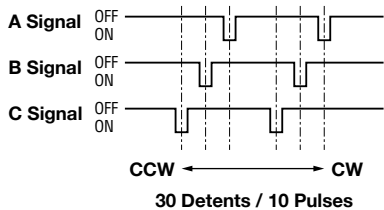
Environmental Characteristics

Operating Temperature..... -30 °C to +80 °C
 Storage Temperature..... -40 °C to +85 °C
 IP Rating..... IP 40

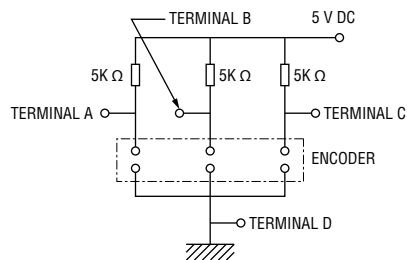
Mechanical Characteristics

RPM (Operating) 60 max.
 Mechanical Angle 360 ° continuous
 Detent Torque..... 50 to 200 gf-cm
 Rotational Life..... 50,000 cycles
 Soldering Condition
 Wave Soldering..... 230 °C for 3 seconds
 Manual Soldering... 300 °C for 3 seconds

Quadrature Output Table

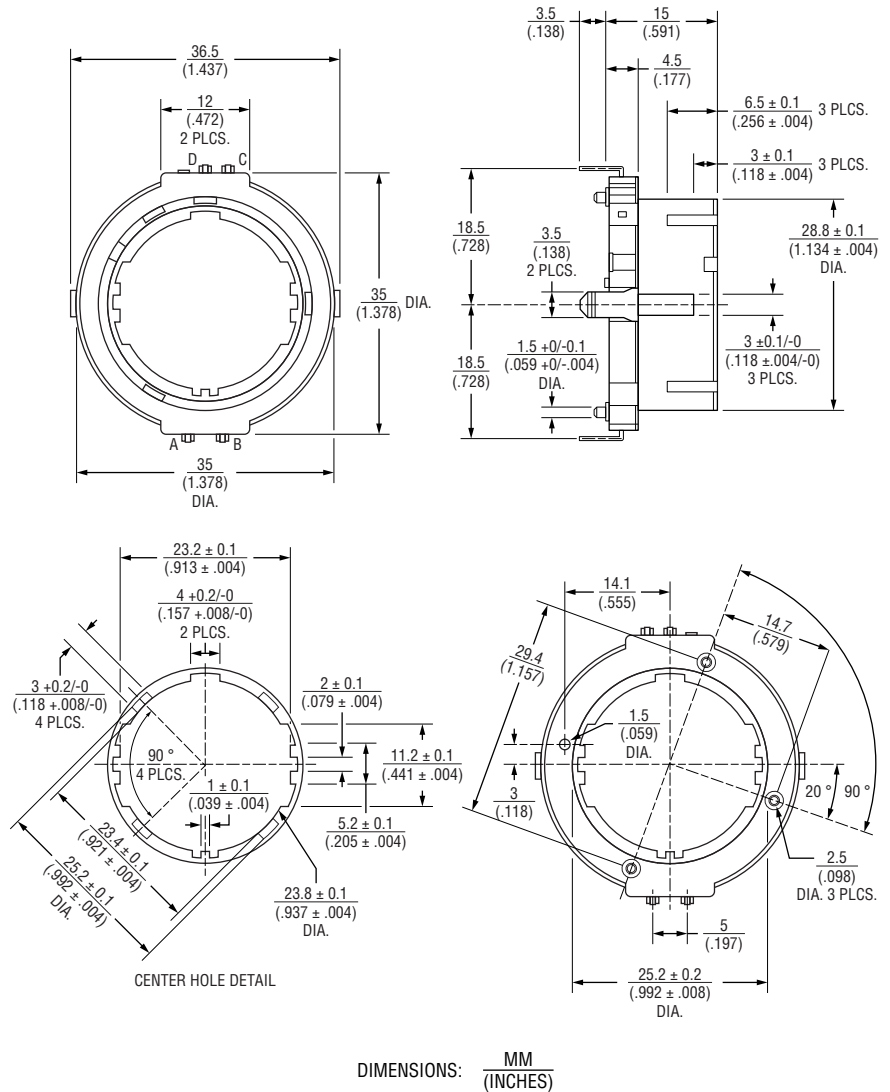


Suggested Filter Circuit



CAUTION
 Do not store product in high temperature and humidity, direct sunlight and/or places where corrosive gases may be generated. Please use product within 6 months from the date of delivery and promptly after unpacking.

Product Dimensions



WARNING Cancer and Reproductive Harm
www.P65Warnings.ca.gov

* RoHS Directive 2015/863, Mar 31, 2015 and Annex.

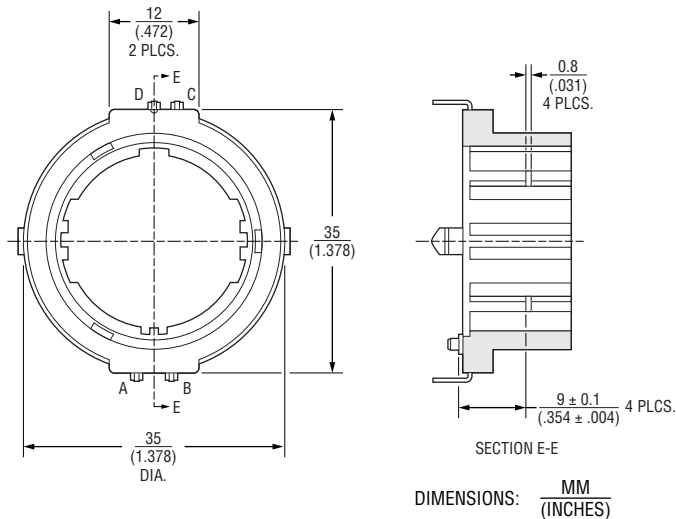
** Devices are tested using standard noise reduction filters.

For optimum performance, designers should use noise reduction filters in their circuits. Specifications are subject to change without notice. Users should verify actual device performance in their specific applications. The products described herein and this document are subject to specific legal disclaimers as set forth on the last page of this document, and at www.bourns.com/docs/legal/disclaimer.pdf.

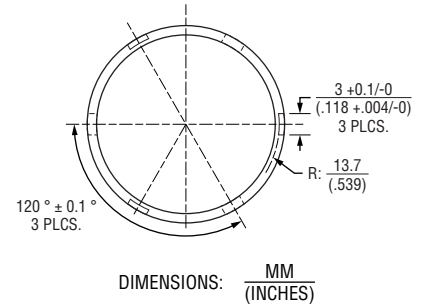
PER35 - 35 mm Low Profile Incremental Ring Encoder

BOURNS®

Cross Section



Shaft Detail

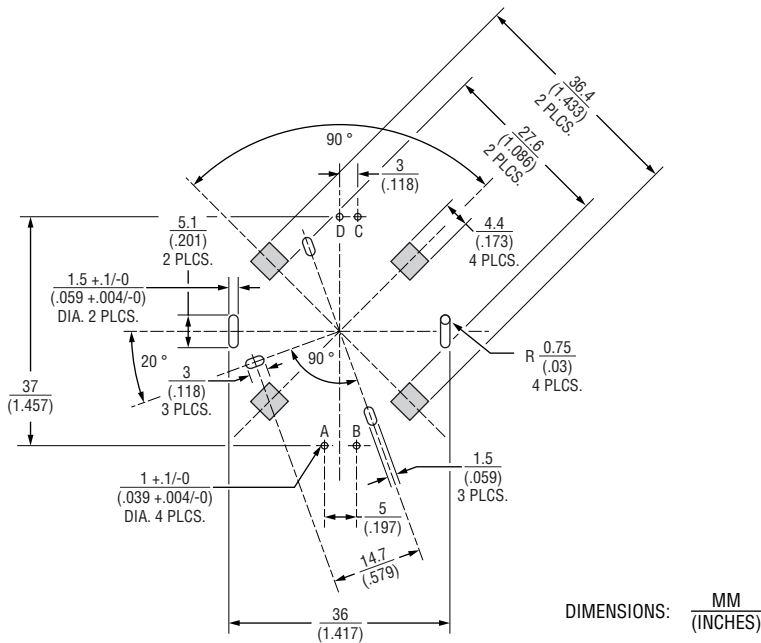


How To Order

PER35 1 - P1 15 - N 0010

Model _____
 Number of Units _____
 1 = Single
 Orientation _____
 P = PC Pins
 Down Facing
 Detent Option _____
 1 = 30 Detents (10 Pulses)
 Ring Height _____
 15 = 15 mm
 Switch Configuration _____
 N = No Switch
 Resolution _____
 0010 = 10 Pulses per 360 ° Rotation

Recommended PCB Layout



BOURNS®

Asia-Pacific: Tel: +886-2 2562-4117
 Email: asiacus@bourns.com

EMEA: Tel: +36 88 885 877
 Email: eurocus@bourns.com

The Americas: Tel: +1-951 781-5500
 Email: americus@bourns.com

www.bourns.com

REV. 07/21

Specifications are subject to change without notice.

Users should verify actual device performance in their specific applications.

The products described herein and this document are subject to specific legal disclaimers as set forth on the last page of this document, and at www.bourns.com/docs/legal/disclaimer.pdf.