



Features

- Low profile incremental encoder
- High-class rotational feel
- Haptic detent feedback
- RoHS compliant*

PER56 - 56 mm Low Profile Incremental Ring Encoder

Additional Information

Click these links for more information:



Electrical Characteristics

Output..... 2-bit quadrature code
 Contact Rating..... 10 mA @ 5 V DC
 Insulation Resistance..... 100 MΩ @ 250 V DC
 Dielectric Withstanding Voltage
 Sea Level..... 300 V AC
 Electrical Travel..... Continuous
 Contact Bounce (15 RPM)..... 2 ms max.**

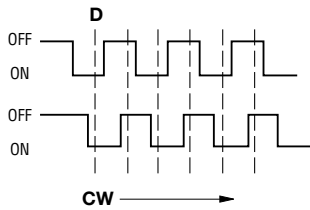
Environmental Characteristics

Operating Temperature..... -20 °C to +70 °C
 Storage Temperature..... -40 °C to +85 °C
 IP Rating..... IP 40
 Soldering Condition
 Wave Soldering..... 260 °C for 5 s
 Manual Soldering..... 300 °C for 3 s

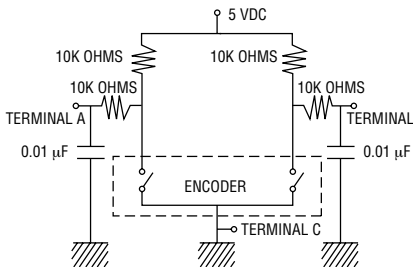
Mechanical Characteristics

RPM (operating)..... 60 max.
 Mechanical Angle..... 360 ° continuous
 Detent Torque..... 50 to 200 gf-cm
 Rotational Life..... 50,000 cycles

Quadrature Output Table

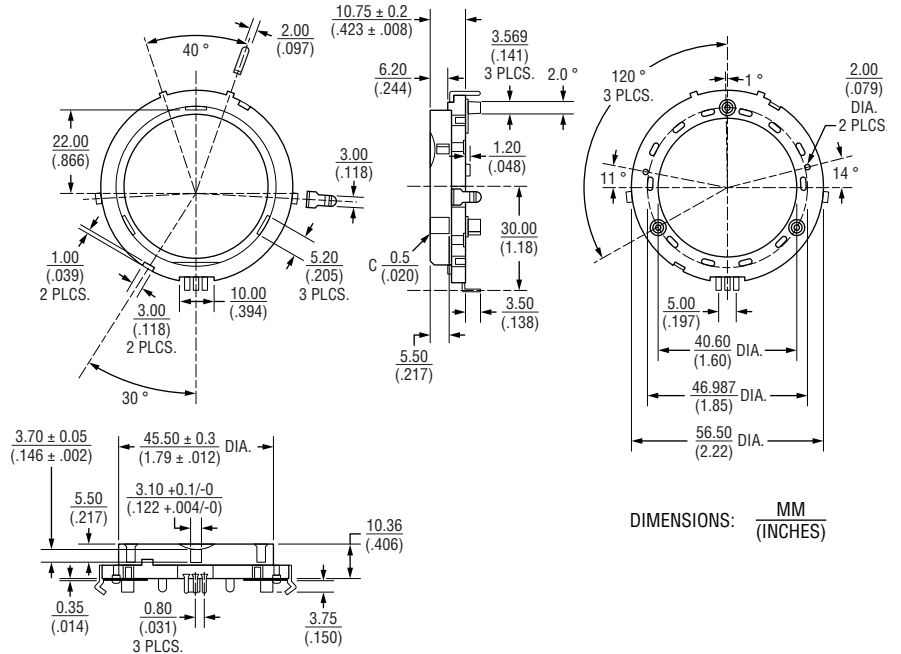


Suggested Filter Circuit



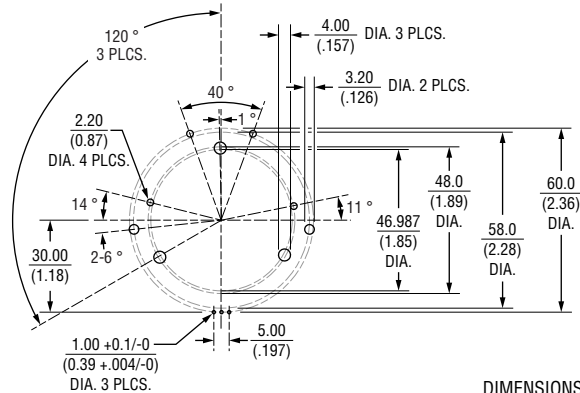
CAUTION
 Do not store product in high temperature and humidity, direct sunlight and/or places where corrosive gases may be generated. Please use product within 6 months from the date of delivery and promptly after unpacking.

Product Dimensions



DIMENSIONS: $\frac{\text{MM}}{\text{(INCHES)}}$

Recommended PCB Layout



DIMENSIONS: $\frac{\text{MM}}{\text{(INCHES)}}$

WARNING
 Cancer and Reproductive Harm
www.P65Warnings.ca.gov

* RoHS Directive 2015/863, Mar 31, 2015 and Annex.
 ** Devices are tested using standard noise reduction filters. For optimum performance, designers should use noise reduction filters in their circuits.
 Specifications are subject to change without notice. Users should verify actual device performance in their specific applications. The products described herein and this document are subject to specific legal disclaimers as set forth on the last page of this document, and at www.bourns.com/docs/legal/disclaimer.pdf.

PER56 - 56 mm Low Profile Incremental Ring Encoder

BOURNS®

How To Order

PER56 1 - P1 15 - N 0015

Model _____
Number of Units _____
 1 = Single
Orientation _____
 P = PC Pins Down Facing
Detent Option _____
 1 = 30 Detents (15 Pulses)
Ring Height _____
 15 = 15 mm
Switch Configuration _____
 N = No Switch
Resolution _____
 0015 = 15 Pulses per 360 ° Rotation

BOURNS®

Asia-Pacific: Tel: +886-2 2562-4117 • Email: asiacus@bourns.com

EMEA: Tel: +36 88 885 877 • Email: eurocus@bourns.com

The Americas: Tel: +1-951 781-5500 • Email: americus@bourns.com

www.bourns.com

REV. 07/21

Specifications are subject to change without notice.

Users should verify actual device performance in their specific applications.

The products described herein and this document are subject to specific legal disclaimers as set forth on the last page of this document, and at www.bourns.com/docs/legal/disclaimer.pdf.