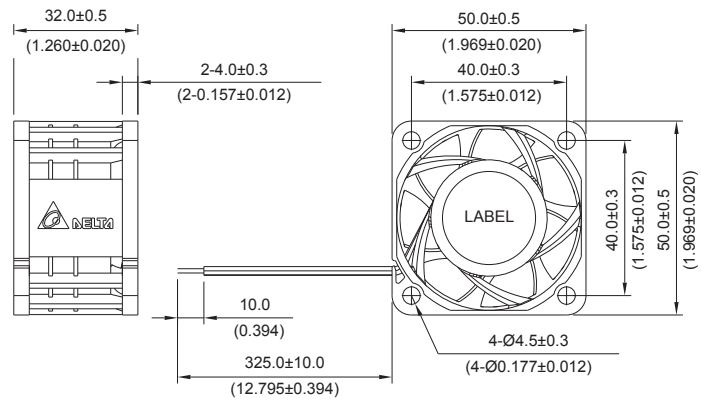


New



PFB 50 x 50 x 32 MM SERIES

■ DIMENSIONS DRAWING

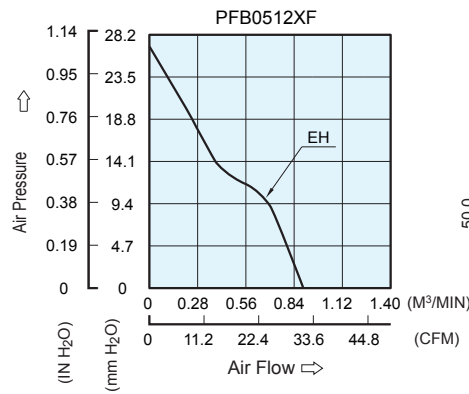


UNIT : $\frac{\text{mm}}{\text{(INCH)}}$

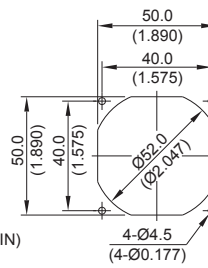
- * Bearing Type
Ball Bearings
- * Material
Impeller & Frame : Plastic(UL 94V-0)
- * Lead Wires :
UL 1061 AWG #26 OR Equivalent
Red Wire Positive(+)
Black Wire Negative(-)
- * Weight : 58g (3.39OZ)

■ P & Q CURVE (AT RATED VOLTAGE)

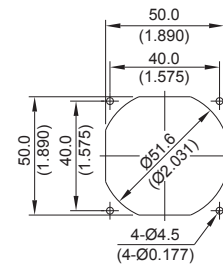
■ MOUNTING PANEL CUTOUT



OUTLET SIDE



INLET SIDE



UNIT : $\frac{\text{mm}}{\text{(INCH)}}$

MODEL		Rated Voltage	Operating Voltage Range	Input Current	Input Power	Speed	Maximum Air Flow		Maximum Air Pressure		Noise
PART NO.	FUNCTION	VDC	VDC	Amp	Watt	R.P.M.	m ³ /min	CFM	mmH ₂ O	IN H ₂ O	dB-A
PFB0512EHF	-R00 / -F00	12	5.0 to 13.2	0.54	6.48	10000	0.894	31.55	26.71	1.051	51.2

- * Function type is optional.
- * The max. air flow and the speed are measured in free air ; max. air pressure is measured at zero air flow.
- * Noise is measured in anechoic chamber in free air, one meter from intake side.
- * All readings are typical values at rated voltage.
- * Specifications are subject to change without notice.