

## Features

- Excellent transmission characteristics
- Compact SMT housing
- PFBR45-ST is designed for functional insulation with a working voltage of 400 VDC
- PFBR45-SP is designed for reinforced insulation with a working voltage of 400 VDC
- Designed for ST Micro 8500 PLC System-on-Chip (SoC)
- Complies with EN 62368 and EN 61885
- RoHS compliant\*

## PFBR45 Series PLC Transformer

### General Specifications

Operating Temperature (including self-temperature rise)..... -40 °C to +125 °C  
 Storage Temperature (with packaging)..... -40 °C to +85 °C  
 Moisture Sensitivity Level..... 1

### Additional Information

Click these links for more information:



### Electrical Specifications @ 25 °C

Bourns Part Number	Pri. Inductance @ 100 kHz / 1V		Leakage Inductance @ 100 kHz / 1V (All Sec. Pins Shorted)		Turns ratio		DCR Max.		Interwinding Capacitance @ 50 kHz		Hi-Pot 1 Sec / 1 mA	
PFBR45-ST13150S	(1-4)	1 mH, +35 %, -30 %	(1-4)	1.5 μH Typ. (2 μH Max.)	(1-4):(7-5)	2:1 ±3 %	(1-4)	215 mΩ	(1,4-5,6,7,8)	30 pF Max.	(1-8) w/ (6,7) shorted	2000 Vac
					(1-4):(8-6)	2:1 ±3 %	(8-6)	105 mΩ				
PFBR45-SP13150S <sup>1</sup>	(9-6)	1.15 mH, ±30 %	(9-6)	1.3 μH Max.	(9-6):(1-4)	2:1 ±3 %	(9-6)	500 mΩ	(9,6-1,2,4,5)	30 pF Max.	(9-1) w/ (2,4) shorted	4500 Vac
					(9-6):(2-5)	2:1 ±3 %	(1-5) w/ (2,4) shorted	350 mΩ			(1-5)	625 Vac

<sup>1</sup> Volt-time: 11 (V-μSec)

### How To Order

**PFB R45 - ST13 150 S**

Model \_\_\_\_\_  
 PFB = PLC Transformer

Power Rating \_\_\_\_\_  
 R45 = 0.45 W

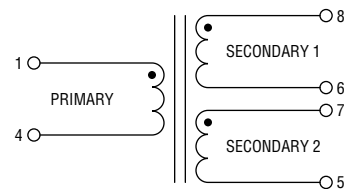
Core and Size \_\_\_\_\_  
 ST13 = Standard EP13  
 SP13 = Special EP13

Vout \_\_\_\_\_  
 150 = 15 V

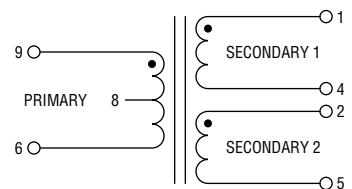
PCB type \_\_\_\_\_  
 S = SMD

### Electrical Schematic

#### PFBR45-ST13150S



#### PFBR45-SP13150S



**WARNING Cancer and Reproductive Harm - [www.P65Warnings.ca.gov](http://www.P65Warnings.ca.gov)**

\*RoHS Directive 2015/863, Mar 31, 2015 and Annex.

Specifications are subject to change without notice.

Users should verify actual device performance in their specific applications.

The products described herein and this document are subject to specific legal disclaimers as set forth on the last page of this document, and at [www.bourns.com/docs/legal/disclaimer.pdf](http://www.bourns.com/docs/legal/disclaimer.pdf).

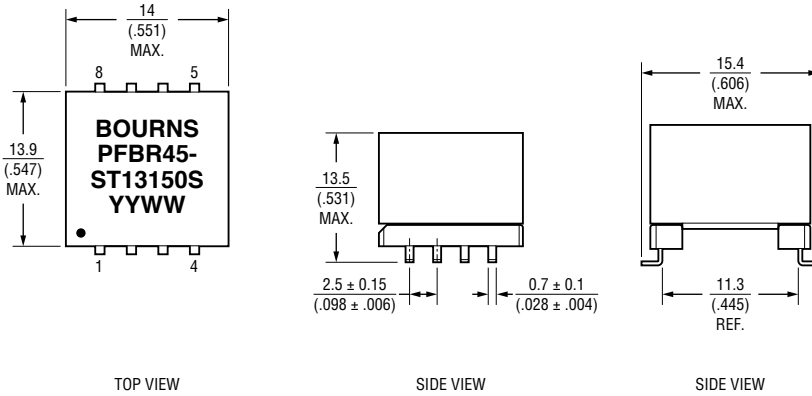
# Applications

- Smart grids
- Automatic meter reading – energy, gas and water
- PC home network systems
- Street lighting systems
- Home automation systems
- CCTV cameras

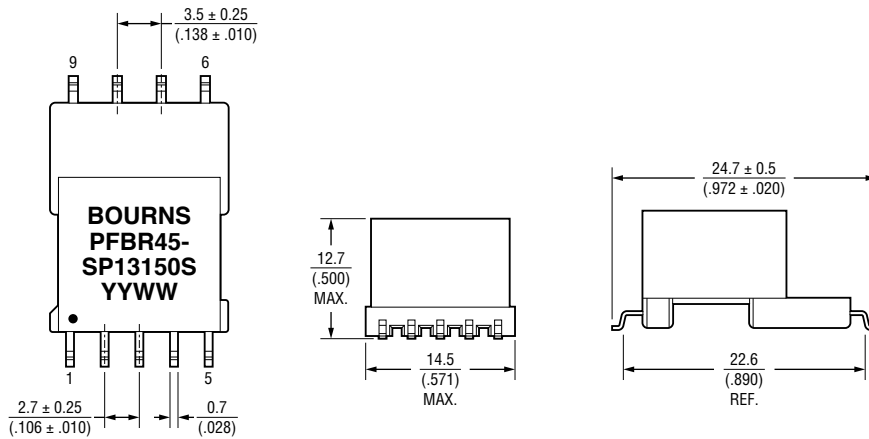
## PFBR45 Series PLC Transformer BOURNS®

### Product Dimensions

#### PFBR45-ST13150S



#### PFBR45-SP13150S



DIMENSIONS:  $\frac{\text{MM}}{\text{(INCHES)}}$

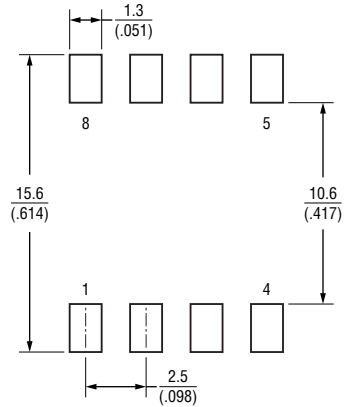
Unless otherwise specified, all tolerances are ± 0.25 / (.010)

### Materials

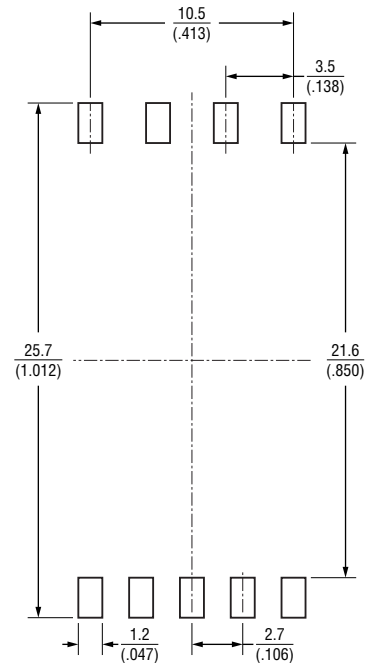
- Bobbin ..... Phenolic
- Wire ..... Copper/Insulated
- Tape ..... Polyester film
- Core ..... Ferrite
- Glue ..... Epoxy
- Terminal ..... Phosphor Bronze Tin
- Solder ..... Sn

### Recommended Layout

#### PFBR45-ST13150S



#### PFBR45-SP13150S



DIMENSIONS:  $\frac{\text{MM}}{\text{(INCHES)}}$

Specifications are subject to change without notice. Users should verify actual device performance in their specific applications. The products described herein and this document are subject to specific legal disclaimers as set forth on the last page of this document, and at [www.bourns.com/docs/legal/disclaimer.pdf](http://www.bourns.com/docs/legal/disclaimer.pdf).

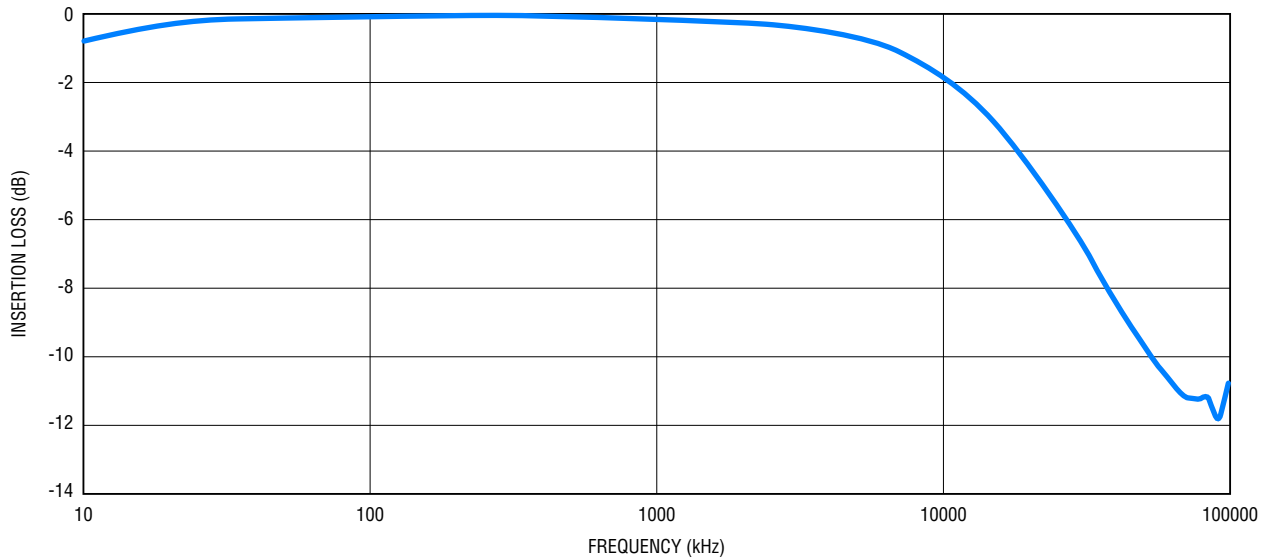
# PFBR45 Series PLC Transformer

**BOURNS®**

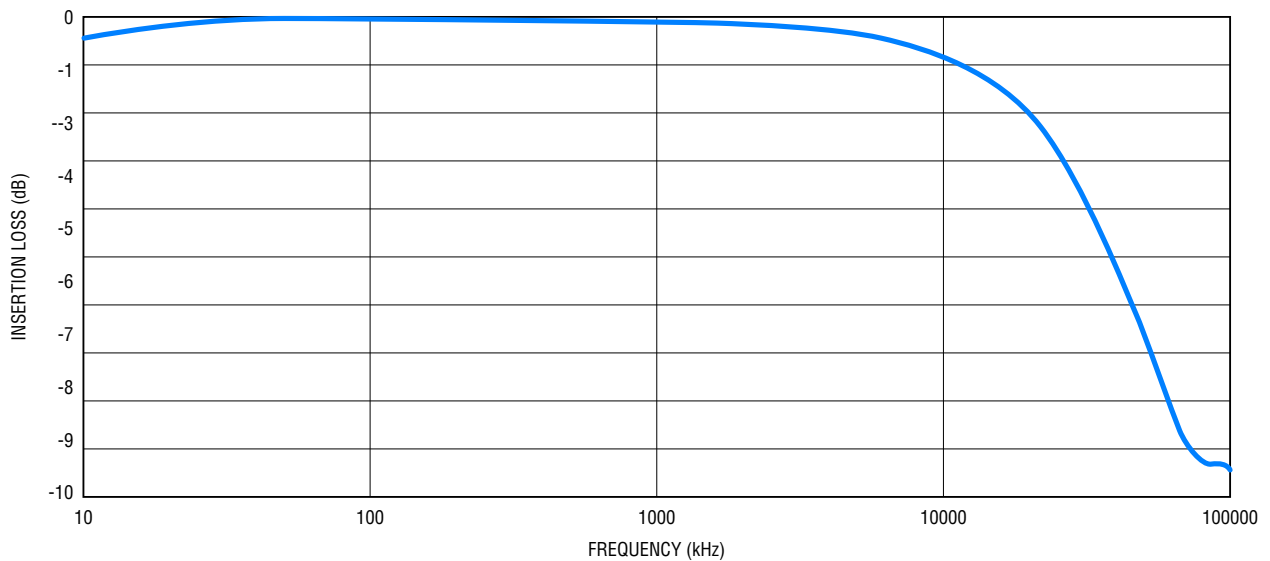
## Characteristic Curves

Typical insertion loss based on a 50 ohm system

### PFBR45-ST13150S



### PFBR45-SP13150S



Specifications are subject to change without notice.

Users should verify actual device performance in their specific applications.

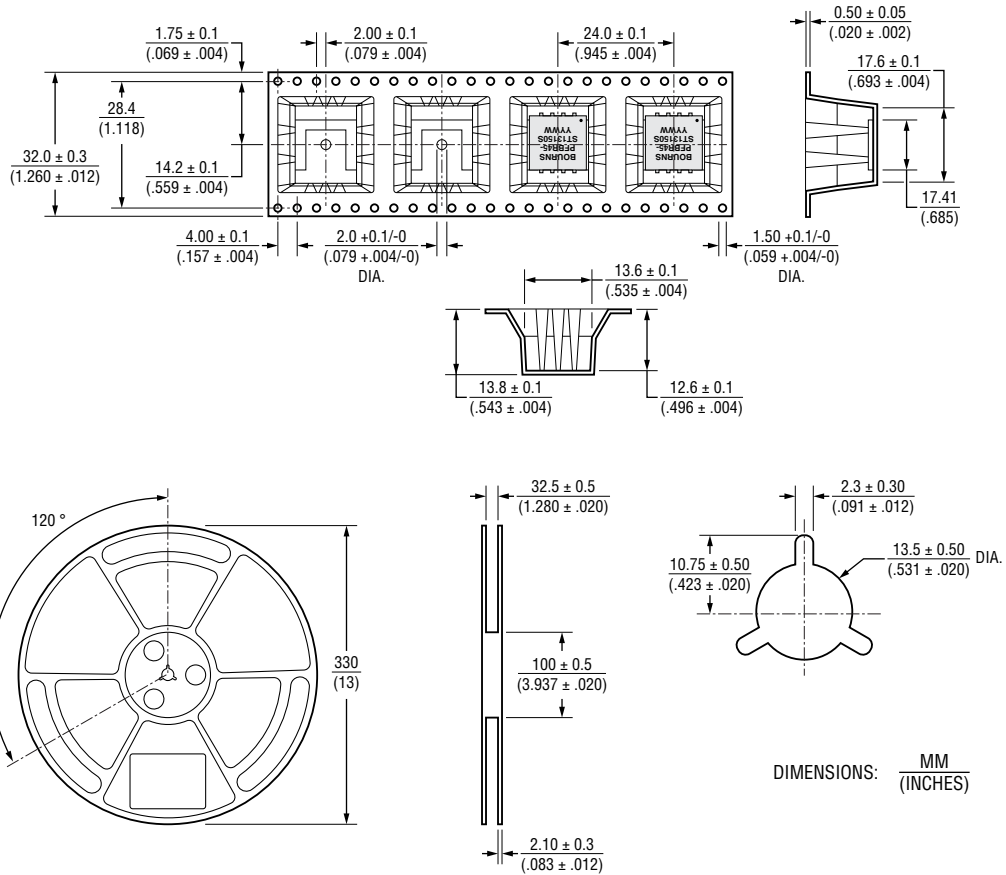
The products described herein and this document are subject to specific legal disclaimers as set forth on the last page of this document, and at [www.bourns.com/docs/legal/disclaimer.pdf](http://www.bourns.com/docs/legal/disclaimer.pdf).

# PFBR45 Series PLC Transformer

**BOURNS®**

## Packaging Specifications

PFBR45-ST13150S: 180 pcs/reel, 3 reels/carton



DIMENSIONS:  $\frac{\text{MM}}{\text{(INCHES)}}$

Specifications are subject to change without notice.

Users should verify actual device performance in their specific applications.

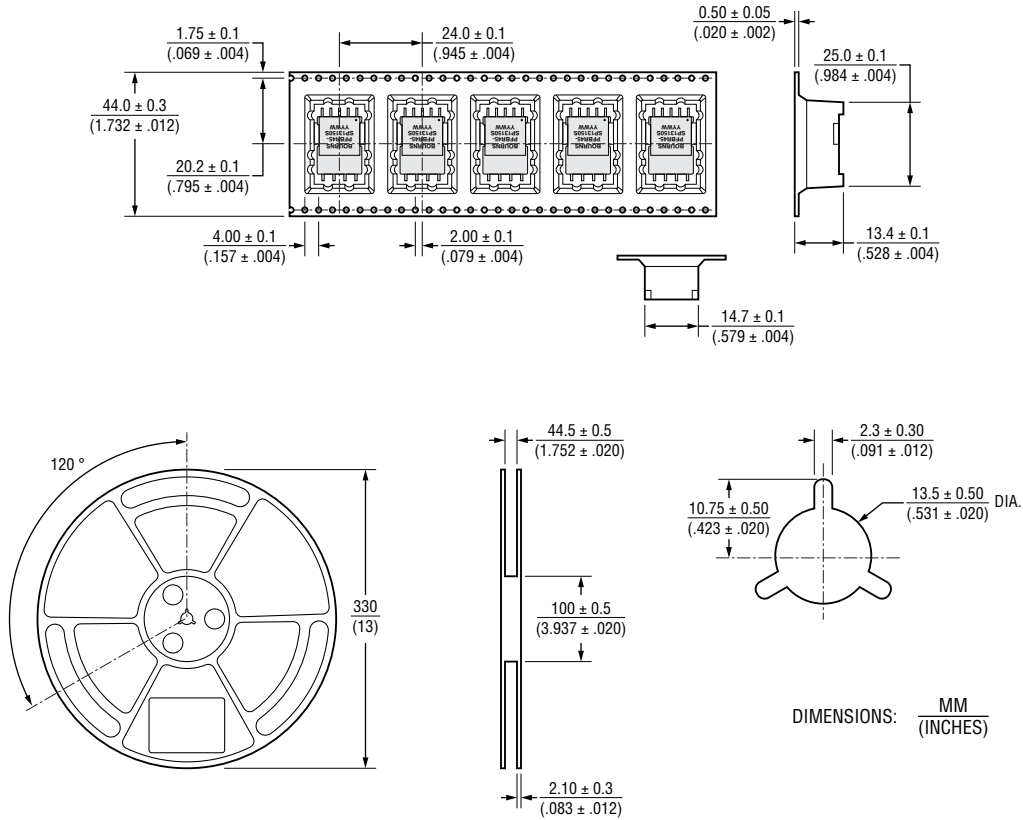
The products described herein and this document are subject to specific legal disclaimers as set forth on the last page of this document, and at [www.bourns.com/docs/legal/disclaimer.pdf](http://www.bourns.com/docs/legal/disclaimer.pdf).

# PFBR45 Series PLC Transformer

**BOURNS®**

## Packaging Specifications

PFBR45-SP13150S: 200 pcs/reel, 2 reels/carton



**BOURNS®**

Asia-Pacific: Tel: +886-2 2562-4117 • Email: asiacus@bourns.com

EMEA: Tel: +36 88 885 877 • Email: eurocus@bourns.com

The Americas: Tel: +1-951 781-5500 • Email: americus@bourns.com

[www.bourns.com](http://www.bourns.com)

REV. 05/22

Specifications are subject to change without notice.

Users should verify actual device performance in their specific applications.

The products described herein and this document are subject to specific legal disclaimers as set forth on the last page of this document, and at [www.bourns.com/docs/legal/disclaimer.pdf](http://www.bourns.com/docs/legal/disclaimer.pdf).