

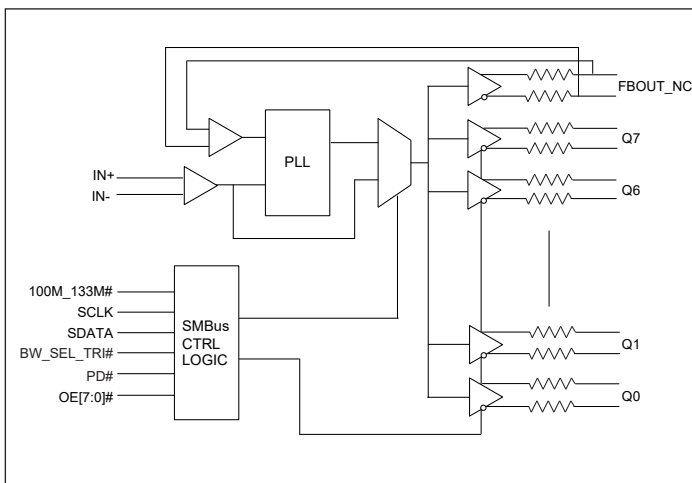
Low-Power 8-Output ZDB / Fanout Clock Buffer for PCIe 6.0 and UPI

Description

The DIODES PI6CBE33085 is a low-power PCIe® 1.0/2.0/3.0/4.0/5.0/6.0 clock buffer. It takes a reference input to fanout eight 100MHz low-power differential HCSL outputs with on-chip terminations for 85Ω output impedance. It supports both zero-delay and fanout buffer functions for various applications. An individual OE pin for each output provides easier power management.

It uses Diodes proprietary PLL design to achieve very-low jitter that meets PCIe 1.0/2.0/3.0/4.0/5.0/6.0 requirements. Other than PCIe 100MHz support, this device also supports 133.33MHz via a pin.

Block Diagram



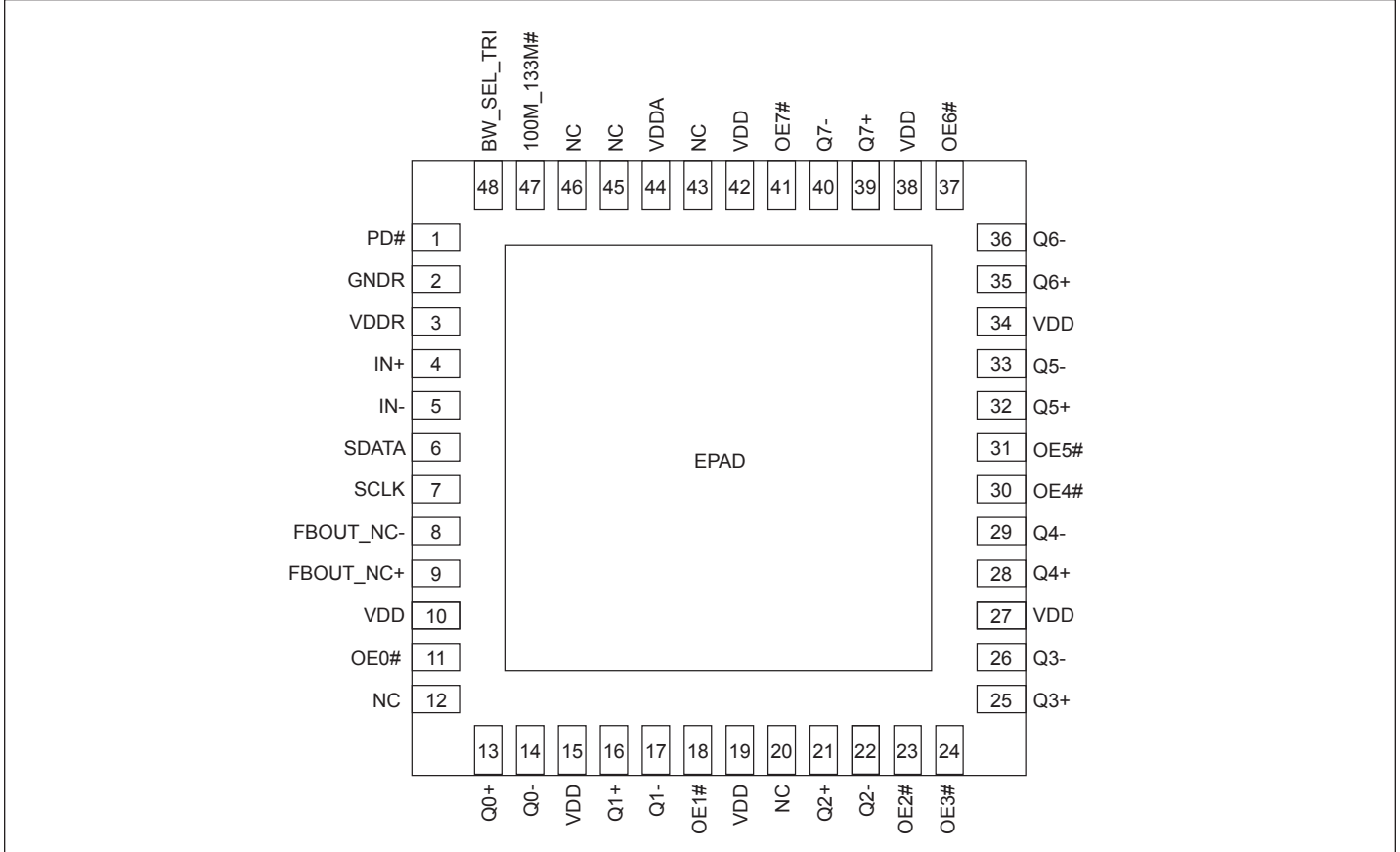
Features

- Eight Differential Low-Power HCSL Outputs with On-Chip Termination
- Default $Z_{OUT} = 85\Omega$
- Spread Spectrum Tolerant
- Individual Output Enable
- Selectable PLL Bandwidths
- Hardware/SMBus Control of ZDB and Fanout Buffer Modes
- 1 to 400MHz Fanout Buffer Operation
- 100MHz and 133.33MHz ZDB Mode
- Differential Output-to-output Skew <50ps
- Very Low Jitter Outputs
 - Differential Cycle-to-cycle Jitter <50ps
 - Fanout Buffer Mode Additive Phase Jitter:
 - PCIe 6.0 CC: 0.012 ps
 - DB2000Q Additive Jitter: 0.02ps
 - ZDB Mode Phase Jitter:
 - PCIe 6.0 CC: RMS 0.01 ps
 - QPI/UPI 11.4GB/s: 0.14ps RMS
 - IF-UPI: RMS 0.15 ps
- 3.3V Core Supply Voltage
- Totally Lead-Free & Fully RoHS Compliant (Notes 1 & 2)
- Halogen and Antimony Free. “Green” Device (Note 3)
- For automotive applications requiring specific change control (i.e. parts qualified to AEC-Q100/101/104/200, PPAP capable, and manufactured in IATF 16949 certified facilities), please [contact us](https://www.diodes.com/quality/product-definitions/) or your local Diodes representative.
- Packaging (Pb-free & Green):
 - 48-TQFN, 6×6mm (ZL)

Notes:

1. No purposely added lead. Fully EU Directive 2002/95/EC (RoHS), 2011/65/EU (RoHS 2) & 2015/863/EU (RoHS 3) compliant.
2. See <https://www.diodes.com/quality/lead-free/> for more information about Diodes Incorporated’s definitions of Halogen- and Antimony-free, “Green” and Lead-free.
3. Halogen- and Antimony-free “Green” products are defined as those which contain <900ppm bromine, <900ppm chlorine (<1500ppm total Br + Cl) and <1000ppm antimony compounds.

Pin Configuration



Pin Description

Pin Number	Pin Name	Type		Description
1	PD#	Input	CMOS	Input notifies device to sample latched inputs and start up on first high assertion. Low enters Power Down Mode; subsequent high assertions exit Power Down Mode. This pin has internal pullup resistor.
2	GNDR	Power	—	Analog ground for receiver
3	VDDR	Power	—	Analog VDD for receiver
4	IN+	Input	HCSL	Differential true clock input
5	IN-	Input	HCSL	Differential complementary clock input
6	SDATA	Input/ Output	CMOS	SMBUS Data line, 3.3V tolerant
7	SCLK	Input	CMOS	SMBUS clock input, 3.3V tolerant
8	FBOUT_NC-	—	—	Complementary differential feedback output. This pin should NOT be connected to anything outside the chip. It exists to provide delay path matching to get zero propagation delay.

Pin Number	Pin Name	Type		Description
9	FBOUT_NC+	—	—	True differential feedback output. This pin should NOT be connected to anything outside the chip. It exists to provide delay path matching to get zero propagation delay.
10, 15, 19, 27, 34, 38, 42	V _{DD}	Power	—	Power supply, nominal 3.3V
11	OE0#	Input	CMOS	Active low input for enabling Q0 pair. This pin has an internal pulldown. 1 =disable outputs, 0 = enable outputs
12, 20, 43, 45, 46	NC	—	—	Do not connect this pin.
13	Q0+	Output	HCSL	Differential true clock output
14	Q0-	Output	HCSL	Differential complementary clock output
16	Q1+	Output	HCSL	Differential true clock output
17	Q1-	Output	HCSL	Differential complementary clock output
18	OE1#	Input	CMOS	Active low input for enabling Q1 pair. This pin has an internal pulldown. 1 =disable outputs, 0 = enable outputs
21	Q2+	Output	HCSL	Differential true clock output
22	Q2-	Output	HCSL	Differential complementary clock output
23	OE2#	Input	CMOS	Active low input for enabling Q2 pair. This pin has an internal pulldown. 1 =disable outputs, 0 = enable outputs
24	OE3#	Input	CMOS	Active low input for enabling Q3 pair. This pin has an internal pulldown. 1 =disable outputs, 0 = enable outputs
25	Q3+	Output	HCSL	Differential true clock output
26	Q3-	Output	HCSL	Differential complementary clock output
28	Q4+	Output	HCSL	Differential true clock output
29	Q4-	Output	HCSL	Differential complementary clock output
30	OE4#	Input	CMOS	Active low input for enabling Q4 pair. This pin has an internal pulldown. 1 =disable outputs, 0 = enable outputs
31	OE5#	Input	CMOS	Active low input for enabling Q5 pair. This pin has an internal pulldown. 1 =disable outputs, 0 = enable outputs
32	Q5+	Output	HCSL	Differential true clock output
33	Q5-	Output	HCSL	Differential complementary clock output
35	Q6+	Output	HCSL	Differential true clock output
36	Q6-	Output	HCSL	Differential complementary clock output
37	OE6#	Input	CMOS	Active low input for enabling Q6 pair. This pin has an internal pulldown. 1 =disable outputs, 0 = enable outputs
39	Q7+	Output	HCSL	Differential true clock output
41	OE7#	Input	CMOS	Active low input for enabling Q7 pair. This pin has an internal pulldown. 1 =disable outputs, 0 = enable outputs

PI6CBE33085

Pin Number	Pin Name	Type		Description
40	Q7-	Output	HCSL	Differential complementary clock output
44	VDDA	Power	—	Analog VDD
47	100M_133M#	Input	CMOS	Latch to select frequency. This pin has internal pullup resistor. See Frequency Select Table
48	BW_SEL_TRI	Input	Tri-level	Latch to select low-loop bandwidth, bypass PLL, and high-loop bandwidth. This pin has internal pullup resistor
EPAD	EPAD	Power	—	Connect to ground

Power Management Table

PD#	IN	SMBus OE bit	OEn#	Qn+	Qn-	PLL Status
0	X	X	X	Low	Low	Off
1	Running	0	X	Low	Low	On ⁽¹⁾
1	Running	1	0	Running	Running	On ⁽¹⁾
1	Running	1	1	Low	Low	On ⁽¹⁾

Note:

1. If PLL Bypass mode is selected, the PLL will be off and outputs will be running.

PLL Operating Mode Select Table

BW_SEL_TRI	Operating Mode	PLL
0	PLL with Low Bandwidth	Running
M	PLL Bypass	off
1	PLL with High Bandwidth	Running

Frequency Select Table

100M_133M#	IN (MHz)	Qn (MHz)
0	133.33	133.33
1 (default)	100	100

Maximum Ratings

(Above which useful life may be impaired. For user guidelines, not tested.)

Storage Temperature.....	-65°C to +150°C
Supply Voltage to Ground Potential, V_{DDxx}	-0.5V to +4.6V
Input Voltage	-0.5V to $V_{DD} + 0.5V$, not exceed 4.6V
SMBus, Input High Voltage	3.6V
ESD Protection (HBM)	2000V
Junction Temperature	125°C max

Note:

Stresses greater than those listed under MAXIMUM RATINGS may cause permanent damage to the device. This is a stress rating only and functional operation of the device at these or any other conditions above those indicated in the operational sections of this specification is not implied. Exposure to absolute maximum rating conditions for extended periods may affect reliability.

Operating Conditions

Temperature = T_A ; Supply voltages per normal operation conditions; See test circuits for the load conditions

Symbol	Parameters	Conditions	Min..	Typ.	Max.	Units
V_{DD}, V_{DDA}, V_{DDR}	Power Supply Voltage	—	3.135	3.3	3.465	V
I_{DDA}	Analog Power Supply Current	V_{DDA} , PLL mode, All outputs active @ 100MHz	—	21	25	mA
I_{DD}	Power Supply Current	$V_{DD} + V_{DD-R}$, All outputs active @ 100MHz	—	100	110	mA
I_{DDA_PD}	Analog Power Supply Power Down ⁽¹⁾ Current	V_{DDA} , PLL mode, All outputs LOW/LOW	—	0.6	1	mA
I_{DD_PD}	Power Supply Power Down ⁽¹⁾ Current	$V_{DD} + V_{DD-R}$, All outputs LOW/LOW	—	2.5	3	mA
T_A	Ambient Temperature	Industrial grade	-40	—	85	°C

Note:

1. Input clock is not running.
2. Outputs drive 5 inch trace.

Input Electrical Characteristics

Symbol	Parameters	Conditions	Min.	Typ.	Max.	Units
R_{pu}	Internal Pullup Resistance	—	—	120	—	$K\Omega$
R_{dn}	Internal Pulldown Resistance	—	—	120	—	$K\Omega$
L_{PIN}	Pin Inductance	—	—	—	7	nH

SMBus Electrical Characteristics

Temperature = T_A ; Supply voltages per normal operation conditions; See test circuits for the load conditions

Symbol	Parameters	Conditions	Min.	Typ.	Max.	Units
V_{DDSMB}	Nominal Bus Voltage	—	2.7	—	3.6	V
V_{IHSMB}	SMBus Input High Voltage	SMBus, $V_{DDSMB} = 3.3V$	2.1	—	3.6	V
		SMBus, $V_{DDSMB} < 3.3V$	$0.65^* V_{DDSMB}$	—	—	
V_{ILSMB}	SMBus Input Low Voltage	SMBus, $V_{DDSMB} = 3.3V$	—	—	0.8	V
		SMBus, $V_{DDSMB} < 3.3V$	—	—	0.8	
$I_{SMBSINK}$	SMBus Sink Current	SMBus, at V_{OLSMB}	4	—	—	mA
V_{OLSMB}	SMBus Output Low Voltage	SMBus, at $I_{SMBSINK}$	—	—	0.4	V
f_{MAXSMB}	SMBus Operating Frequency	Maximum frequency	—	—	500	kHz
t_{RMSB}	SMBus Rise Time	(Max $V_{IL} - 0.15$) to (Min $V_{IH} + 0.15$)	—	—	1000	ns
t_{FMSB}	SMBus Fall Time	(Min $V_{IH} + 0.15$) to (Max $V_{IL} - 0.15$)	—	—	300	ns

LVC MOS DC Electrical Characteristics

Temperature = T_A ; Supply voltages per normal operation conditions; See test circuits for the load conditions

Symbol	Parameters	Conditions	Min.	Typ.	Max.	Units
V_{IH}	Input High Voltage	Single-ended inputs, except SMBus	$0.75^* V_{DD}$	—	$V_{DD} + 0.3$	V
V_{IM}	Input Mid Voltage	SADR0_TRI, SADR1_TRI, BW_SEL_TRI	$0.4V_{DD}$	$0.5V_{DD}$	$0.6V_{DD}$	V
V_{IL}	Input Low Voltage	Single-ended inputs, except SMBus	-0.3	—	$0.25 V_{DD}$	V
I_{IH}	Input High Current	Single-ended inputs, $V_{IN} = V_{DD}$	—	—	5	μA
I_{IL}	Input Low Current	Single-ended inputs, $V_{IN} = 0V$	-5	—	—	μA
I_{IH}	Input High Current	Single-ended inputs with pullup/pulldown resistor, $V_{IN} = V_{DD}$	—	—	50	μA
I_{IL}	Input Low Current	Single-ended inputs with pullup/pulldown resistor, $V_{IN} = 0V$	-50	—	—	μA
C_{IN}	Input Capacitance	—	1.5	—	5	pF

LVC MOS AC Electrical Characteristics

Temperature = T_A ; Supply voltages per normal operation conditions; See test circuits for the load conditions

Symbol	Parameters	Conditions	Min.	Typ.	Max.	Units
t_{OELAT}	Output Enable Latency	Q start after OE# assertion Q stop after OE# deassertion	4	5	10	clocks
t_{PDLAT}	PD# Deassertion	Differential outputs enable after PD# deassertion	—	20	300	μs

HCSL Input Characteristics⁽¹⁾

Temperature = T_A; Supply voltages per normal operation conditions; See test circuits for the load conditions

Symbol	Parameters	Conditions	Min.	Typ.	Max.	Units
V _{IHDIF}	Diff. Input High Voltage ⁽³⁾	IN+, IN-, single-end measurement	600	800	1150	mV
V _{ILDIF}	Diff. Input Low Voltage ⁽³⁾	IN+, IN-, single-end measurement	-300	0	300	mV
V _{COM}	Diff. Input Common Mode Voltage	—	150	—	900	mV
V _{SWING}	Diff. Input Swing Voltage	Peak to peak value (V _{IHDIF} - V _{ILDIF})	300	—	2900	mV
f _{INBP}	Input Frequency	PLL Bypass mode	1	—	400	MHz
f _{IN100}	Input Frequency	100MHz PLL	98.5	100	102.5	MHz
f _{IN133}	Input Frequency	133MHz PLL	132	133.33	135	MHz
f _{MODI-PCIe}	Input SS Modulation Freq. PCIe	Allowable frequency for PCIe applications (Triangular Modulation)	30	—	33	kHz
t _{STAB}	Clock stabilization	From V _{DD} Power-Up and after input clock stabilization or de-assertion of PD# to 1st clock	—	0.75	1.0	ms
t _{RF}	Diff. Input Slew Rate ⁽²⁾	Measured differentially with 10 inch trace. Please refer to test load Figure 1	0.4	—	—	V/ns
I _{IN}	Diff. Input Leakage Current	V _{IN} = V _{DD} , V _{IN} = GND	-5	0.01	5	uA
t _{DC}	Diff. Input Duty Cycle	Measured differentially	45	—	55	%
t _{j-c-c}	Diff. Input Cycle to cycle jitter	Measured differentially	—	—	125	ps

Note:

1. Guaranteed by design and characterization, not 100% tested in production
2. Slew rate measured through +/-75mV window centered around differential zero
3. The device can be driven by a single-ended clock by driving the true clock and biasing the complement clock input to the V_{bias}, where V_{bias} is (V_{IH}-V_{IL})/2

HCSL Output DC Characteristics

Temperature = T_A; Supply voltages per normal operation conditions; See test circuits for the load conditions

Symbol	Parameters	Condition	Min.	Typ.	Max.	Units
V _{OH}	Output Voltage High ⁽¹⁾	Statistical measurement on single-ended signal using oscilloscope math function	660	—	850	mV
V _{OL}	Output Voltage Low ⁽¹⁾		-150	—	150	mV
V _{OMAX}	Output Voltage Maximum ⁽¹⁾	Measurement on single ended signal using absolute value	—	—	1150	mV
V _{OMIN}	Output Voltage Minimum ⁽¹⁾		-300	—	—	mV
V _{OC}	Output Cross Voltage ^(1,2,4)	—	250	—	550	mV
DV _{OC}	V _{OC} Magnitude Change ^(1,2,5)	—	—	—	140	mV

Note:

1. At default SMBUS amplitude settings.
2. Guaranteed by design and characterization—not 100% tested in production.
3. Measured from differential waveform.
4. This one is defined as voltage where Q+ = Q- measured on a component test board and only applied to the differential rising edge.
5. The total variation of all V_{cross} measurements in any particular system. This is a subset of V_{cross_min/max} allowed.

HC SL Output AC Characteristics

 Temperature = T_A; Supply voltages per normal operation conditions; See test circuits for the load conditions

Symbol	Parameters	Condition	Min.	Typ.	Max.	Units
f _{OUT}	Output Frequency	PLL mode 100MHz	98.5	100	102.5	MHz
		PLL bypass mode	1	—	400	MHz
BW	PLL Bandwidth ^(1,8)	-3dB point in High Bandwidth Mode	2	2.65	4	MHz
		-3dB point in Low Bandwidth Mode	0.7	1.1	1.4	MHz
t _{jpeak}	PLL Jitter Peaking	Peak pass band gain, low bandwidth	0	1.2	2	dB
		Peak pass band gain, high bandwidth	0	1.2	2.5	dB
t _{RF}	Slew Rate ^(1,2,3)	Scope averaging on fast setting with 10 inch trace. Please refer to test load Figure 1	2.2	3	4.0	V/ns
D _{tRF}	Slew Rate Matching ^(1,2,4)	Scope averaging on	—	8	20	%
t _{SKEW}	Output Skew ^(1,2)	Averaging on, V _T = 50%	—	30	50	ps
t _{DC}	Duty Cycle ^(1,2)	Measured differentially, PLL Mode	45	50	55	%
t _{DCD}	Duty Cycle Distortion ^(1,7)	Measured differentially, PLL Bypass Mode at 100MHz	-3.5	0	3.5	%
t _{j-c}	Cycle-to-Cycle Jitter ^(1,2)	PLL mode	—	14	50	ps
		Additive jitter, Bypass mode	—	0.1	1	ps
t _{pd_PLL}	Propagation delay	Input to output propagation delay in PLL mode at 100MHz with nominal temperature and voltage	-100	15	100	ps
t _{pd_BY P}	Propagation delay	Input to output propagation delay in ByPass mode at 100MHz with nominal temperature and voltage	1650	2150	2650	ps

HCSSL Output AC Characteristics (PLL Mode PCIe Phase Jitter)

Symbol	Parameters	Condition	Min.	Typ.	Max.	Spec Limit	Units
t _{JPH_PLL_CC}	Integrated Phase Jitter PLL Mode (RMS) ^(1,5) Low Bandwidth (Common Clocked Architecture)	PCIe 1.0 ⁽⁶⁾	—	2.5	5	86	ps (p-p)
		PCIe 2.0 Low Band	—	0.025	0.05	3.1	ps
		PCIe 2.0 High Band	—	0.161	0.18	3	ps
		PCIe 3.0	—	0.051	0.071	1	ps
		PCIe 4.0	—	0.051	0.071	0.5	ps
		PCIe 5.0 ⁽¹¹⁾	—	0.013	0.022	0.15	ps
		PCIe 6.0	—	0.01	0.016	0.1	ps
t _{JPH_PLL_SRIS}	Integrated Phase Jitter PLL Mode (RMS) ^(1,5) Low Bandwidth (SRIS Architecture)	PCIe 1.0	—	7.8	8.7	—	ps (p-p)
		PCIe 2.0	—	0.139	0.208	—	ps
		PCIe 3.0	—	0.061	0.12	—	ps
		PCIe 4.0	—	0.062	0.12	—	ps
		PCIe 5.0 ⁽¹¹⁾	—	0.062	0.105	—	ps
		PCIe 6.0	—	0.05	0.085	—	ps
t _{JPH_PLL_CC}	Integrated Phase Jitter PLL Mode (RMS) ^(1,5) High Bandwidth (Common Clocked Architecture)	PCIe 1.0 ⁽⁶⁾	—	5.1	6.5	86	ps (p-p)
		PCIe 2.0 Low Band	—	0.026	0.052	3.1	ps
		PCIe 2.0 High Band	—	0.18	0.24	3	ps
		PCIe 3.0	—	0.053	0.063	1	ps
		PCIe 4.0	—	0.053	0.063	0.5	ps
		PCIe 5.0 ⁽¹¹⁾	—	0.016	0.027	0.15	ps
		PCIe 6.0	—	0.012	0.02	0.1	ps
t _{JPH_PLL_SRIS}	Integrated Phase Jitter PLL Mode (RMS) ^(1,5) High Bandwidth (SRIS Architecture)	PCIe 1.0	—	7.51	8.12	—	ps (p-p)
		PCIe 2.0	—	0.153	0.198	—	ps
		PCIe 3.0	—	0.067	0.087	—	ps
		PCIe 4.0	—	0.07	0.09	—	ps
		PCIe 5.0 ⁽¹¹⁾	—	0.065	0.111	—	ps
		PCIe 6.0	—	0.056	0.095	—	ps

Note:

- Guaranteed by design and characterization—not 100% tested in production.
- Measured from differential waveform.
- Slew rate is measured through the Vswing voltage range centered around differential 0V, within ±150mV window.
- Slew rate matching is measured through ±75mV window centered around differential zero.
- See <http://www.pcisig.com> for complete specs.
- Sample size of at least 100k cycles. This can be extrapolated to 108ps pk-pk @ 1M cycles for a BER of 10⁻¹².
- Duty cycle distortion is the difference in duty cycle between the output and input clock when the device is operated in the PLL bypass mode.
- The Min and Max values of each BW setting track each other, low BW max will never occur with high BW min.
- Applies to all differential outputs.
- For additive jitter RMS value is calculated by the following equation = SQRT [(total jitter)² - (input jitter)²].
- PCIe 5.0 v0.9 specification.

HCSSL Output AC Characteristics (Fanout Buffer Mode Additive Phase Jitter)

Symbol	Parameters	Condition	Min.	Typ.	Max.	Output Limit	Units
t _{JPH_A_CC}	Additive Integrated Phase Jitter (RMS) ^(1,5) (Common Clocked Architecture)	PCIe 1.0 ⁽⁶⁾	—	1.2	1.8	86	ps (p-p)
		PCIe 2.0 Low Band	—	0.004	0.015	3	ps
		PCIe 2.0 High Band	—	0.058	0.087	3.1	ps
		PCIe 3.0	—	0.019	0.0228	1	ps
		PCIe 4.0	—	0.019	0.0228	0.5	ps
		PCIe 5.0 ⁽¹¹⁾	—	0.014	0.024	0.15	ps
		PCIe 6.0	—	0.012	0.020	0.10	ps
t _{JPH_A_SRIS}	Additive Integrated Phase Jitter (RMS) ^(1,5,10) (SRIS Architecture)	PCIe 1.0	—	0.111	0.154	—	ps (p-p)
		PCIe 2.0	—	0.051	0.09	—	ps
		PCIe 3.0	—	0.022	0.042	—	ps
		PCIe 4.0	—	0.023	0.043	—	ps
		PCIe 5.0 ⁽¹¹⁾	—	0.024	0.041	—	ps
		PCIe 6.0	—	0.022	0.037	—	ps
t _{JPH_A_12k-20M}	Additive Integrated Phase Jitter (RMS) ^(1,5,10) 12kHz ~ 20MHz	100MHz, SSC off	—	0.086	0.111	—	ps

Note:

- Guaranteed by design and characterization—not 100% tested in production.
- Measured from differential waveform.
- Slew rate is measured through the Vswing voltage range centered around differential 0V, within ±150mV window.
- Slew rate matching is measured through ±75mV window centered around differential zero.
- See <http://www.pcisig.com> for complete specs.
- Sample size of at least 100k cycles. This can be extrapolated to 108ps pk-pk @ 1M cycles for a BER of 10⁻¹².
- Duty cycle distortion is the difference in duty cycle between the output and input clock when the device is operated in the PLL bypass mode.
- The Min and Max values of each BW setting track each other, low BW max will never occur with high BW min.
- Applies to all differential outputs.
- For additive jitter RMS value is calculated by the following equation = SQRT [(total jitter)² - (input jitter)²].
- PCIe 5.0 v0.9 specification.

HCSSL Output Filtered Phase Jitter (QPI_UPI/DB2000Q)

Symbol	Parameters	Condition	Min.	Typ.	Max.	Spec Limit	Units
tjPHPLL_ QPI_UPI	Integrated Phase Jitter PLL Mode (RMS) ^(1,5)	QPI and UPI, 100M or 133.33MHz, 4.8Gbps, 6.4Gbps 12UI	—	0.18	0.38	0.5	ps
		QPI and UPI, 100MHz, 8.0Gbps, 12UI	—	0.17	0.2	0.3	ps
		QPI and UPI, 100MHz, <11.4Gbps, 12UI	—	0.14	0.16	0.2	ps
tjPH_QPI_ UPI	Fanout Buffer Mode Additive Integrated Phase Jitter (RMS) ^(1,5,10)	QPI and UPI, 100M or 133.33MHz, 4.8Gbps, 6.4Gbps 12UI	—	0.06	0.08	—	ps (p-p)
		QPI and UPI, 100MHz, 8.0Gbps, 12UI	—	0.06	0.08	—	ps
		QPI and UPI, 100MHz, <11.4Gbps, 12UI	—	0.03	0.06	—	ps
tjPH_IFUPI	PLL Mode IF-UPI phase jitter	Low bandwidth	—	0.15	0.18	1	ps
		High bandwidth	—	0.18	0.22	1	ps
	Fanout Buffer Mode IF-UPI phase jitter	—	—	0.08	0.1	1	ps
tjPH_ DB2000Q	Fanout Buffer Mode DB2000Q phase jitter	—	—	0.02	0.03	0.08	ps

Note:

- Guaranteed by design and characterization—not 100% tested in production.
- Measured from differential waveform.
- Slew rate is measured through the Vswing voltage range centered around differential 0V, within ±150mV window.
- Slew rate matching is measured through ±75mV window centered around differential zero.
- See <http://www.pcisig.com> for complete specs.
- Sample size of at least 100k cycles. This can be extrapolated to 108ps pk-pk @ 1M cycles for a BER of 10⁻¹².
- Duty cycle distortion is the difference in duty cycle between the output and input clock when the device is operated in the PLL bypass mode.
- The Min and Max values of each BW setting track each other, low BW max will never occur with high BW min.
- Applies to all differential outputs.
- For additive jitter RMS value is calculated by the following equation = SQRT [(total jitter)^{*2} - (input jitter)^{*2}].
- PCIe 5.0 v0.9 specification.

SMBus Serial Data Interface

PI6CBE33085 is a slave-only device that supports block read and block write protocol using a single 7-bit address and read/write bit as shown below.

Read and write block transfers can be stopped after any complete byte transfer.

Address Assignment

A6	A5	A4	A3	A2	A1	A0	R/W
1	1	0	1	1	0	0	1/0

Note: SMBus address is latched on SADR pin

SMBus Address

Pin		SMBus Address			
SADR1_tri	SADR0_tri	PI6CBE3312x	PI6CBE3308x	PI6CBE3306x	PI6CBE33045
0	0	D8	D8	D8	D8
0	M	DA	N/A	N/A	DA
0	1	DE	N/A	N/A	DE
M	0	C2	N/A	N/A	N/A
M	M	C4	N/A	N/A	N/A
M	1	C6	N/A	N/A	N/A
1	0	CA	N/A	N/A	N/A
1	M	CC	N/A	N/A	N/A
1	1	CE	N/A	N/A	N/A

Note: PI6CBE3308x and PI6CBE3306x do not have SMBus address select pins. Their address is D8.

How to Write

1 bit	7 bits	1 bit	1 bit	8 bits	1 bit	8 bits	1 bit	8 bits	1 bit		8 bits	1 bit	1 bit
Start bit	Add.	W(0)	Ack	Beginning Byte location = N	Ack	Data Byte count = X	Ack	Beginning Data Byte (N)	Ack	Data Byte (N+X-1)	Ack	Stop bit

How to Read

1 bit	7 bits	1 bit	1 bit	8 bits	1 bit	1 bit	7 bits	1 bit	1 bit	8 bits	1 bit	8 bits	1 bit
Start bit	Address	W(0)	Ack	Beginning Byte location = N	Ack	Repeat Start bit	Address	R(1)	Ack	Data Byte count = X	Ack	Beginning Data Byte (N)	Ack

											8 bits	1 bit	1 bit
.....											Data Byte (N+X-1)	NAck	Stop bit

Byte 0: PLL Operating Mode and Frequency Select Register

Bit	Control Function	Description	Type	Power-up Condition	0	1
7	PLLMODERB1	PLL Mode Readback Bit1	R	Latch	00 = Low BW ZDB 01= Fanout mode 10 = Reserved 11 = High BW ZDB	
6	PLLMODERB0	PLL Mode Readback Bit0	R	Latch		
5	Reserved	—		0	—	—
4	Reserved	—		0	—	—
3	PLL SW Control	PLL Mode control Bit0	RW ⁽¹⁾	0	Hardware Latch	SMBus Control
2	PLL mode	PLL Mode 1	RW	1	00 = Low BW ZDB 01= Fanout mode 10 = Reserved 11 = High BW ZDB	
1	PLL mode	PLL Mode 0	RW	1		
0	Frequency Select RB	Frequency select readback	R	Latch	133MHz	100MHz

Byte 1: Output Enable Register 1

Bit	Control Function	Description	Type	Power-up Condition	0	1
7	Q5_OE	Q5 output enable	RW	1	Output Low/ Low	OE Pin Control
6	Q4_OE	Q4 output enable	RW	1	Output Low/ Low	OE Pin Control
5	Q3_OE	Q3 output enable	RW	1	Output Low/ Low	OE Pin Control
4	Q2_OE	Q2 output enable	RW	1	Output Low/ Low	OE Pin Control
3	Reserved	—	RW	0	—	—
2	Q1_OE	Q1 output enable	RW	1	Output Low/ Low	OE Pin Control
1	Q0_OE	Q0 output enable	RW	1	Output Low/ Low	OE Pin Control
0	Reserved	—	RW	0	—	—

Byte 2: Output Enable Register 2

Bit	Control Function	Description	Type	Power-up Condition	0	1
7	Reserved	—	RW	0	—	—
6	Reserved	—	RW	0	—	—
5	Reserved	—	RW	0	—	—
4	Reserved	—	RW	0	—	—
3	Reserved	—	RW	0	—	—
2	Q7_OE	Q7 output enable	RW	1	Output Low/ Low	OE Pin Control
1	Reserved	—	RW	0	—	—
0	Q6_OE	Q6 output enable	RW	1	Output Low/ Low	OE Pin Control

Byte 3 and Byte 4: Reserved

Byte 5: Revision and Vendor ID Register

Bit	Control Function	Description	Type	Power-up Condition	0	1
7	RID3	Revision ID	R	0	rev = 0000	
6	RID2		R	0		
5	RID1		R	0		
4	RID0		R	0		
3	PVID3	Vendor ID	R	0	Diodes = 0011	
2	PVID2		R	0		
1	PVID1		R	1		
0	PVID0		R	1		

Byte 6: Device ID Register

Bit	Control Function	Description	Type	Power-up Condition
7	NA	DID7	R	0hB5 for PI6CBE33085
6		DID6	R	
5		DID5	R	
4		DID4	R	
3		DID3	R	
2		DID2	R	
1		DID1	R	
0		DID0	R	

Byte 7: Byte Count Register

Bit	Control Function	Description	Type	Power-up Condition	0	1
7	Reserved	—		0	—	—
6	Reserved	—		0	—	—
5	Reserved	—		0	—	—
4	BC4	Writing to the register configures how many bytes will be read back on a block read	RW	0	—	—
3	BC3		RW	1	—	—
2	BC2		RW	0	—	—
1	BC1		RW	0	—	—
0	BC0		RW	0	—	—

Test Loads

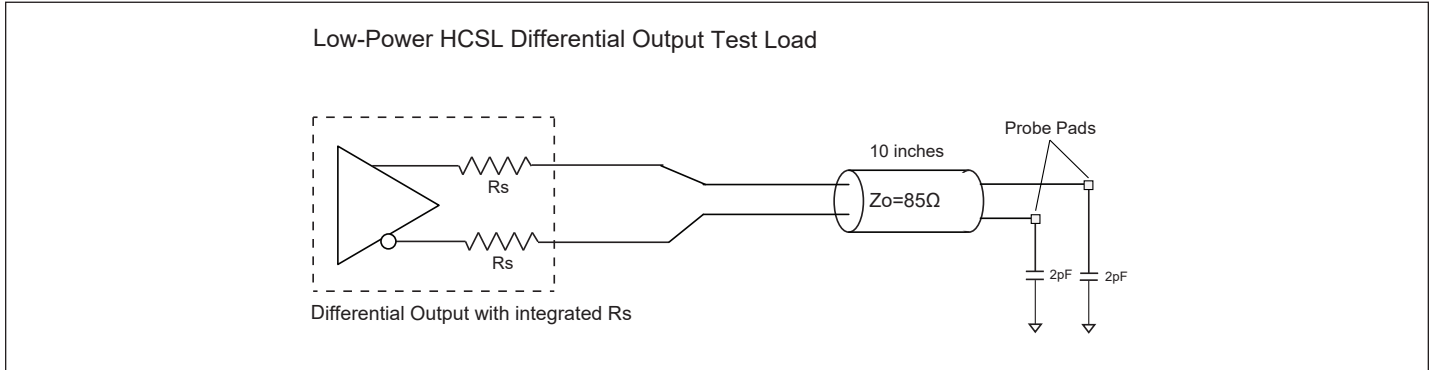


Figure 1. Low-Power HCSL Test Circuit

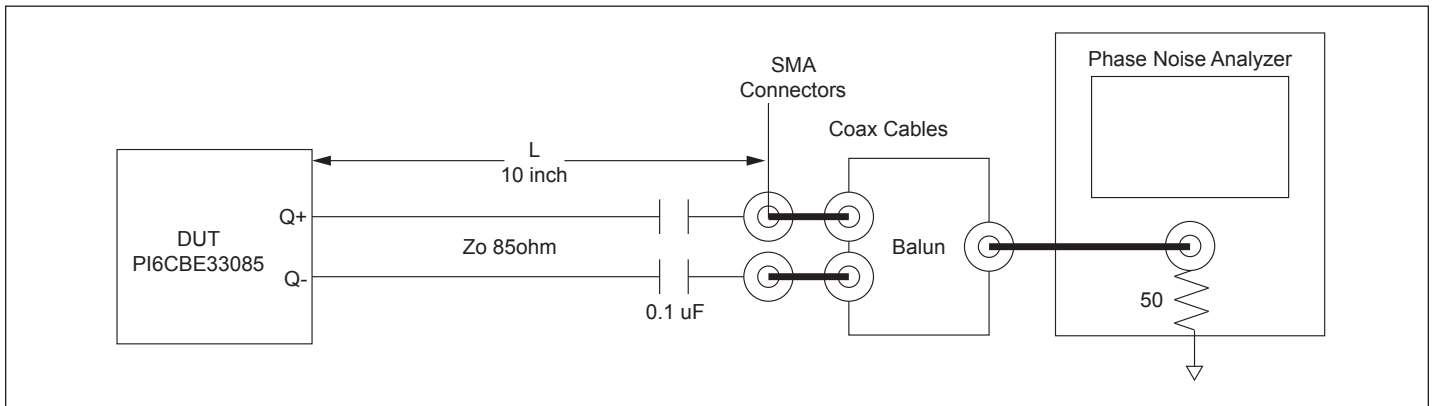


Figure 2. Test Set Up for Phase Jitter Measurement

LVDS Output Termination Table

Component	Receiver with Termination	Receiver without Termination	Unit
R_{1a}, R_{1b}	10,000	130	Ω
R_{2a}, R_{2b}	5600	64	Ω
C_C	0.1	0.1	μ F
V_{CM}	1.2	1.2	V

LVDS Output Termination

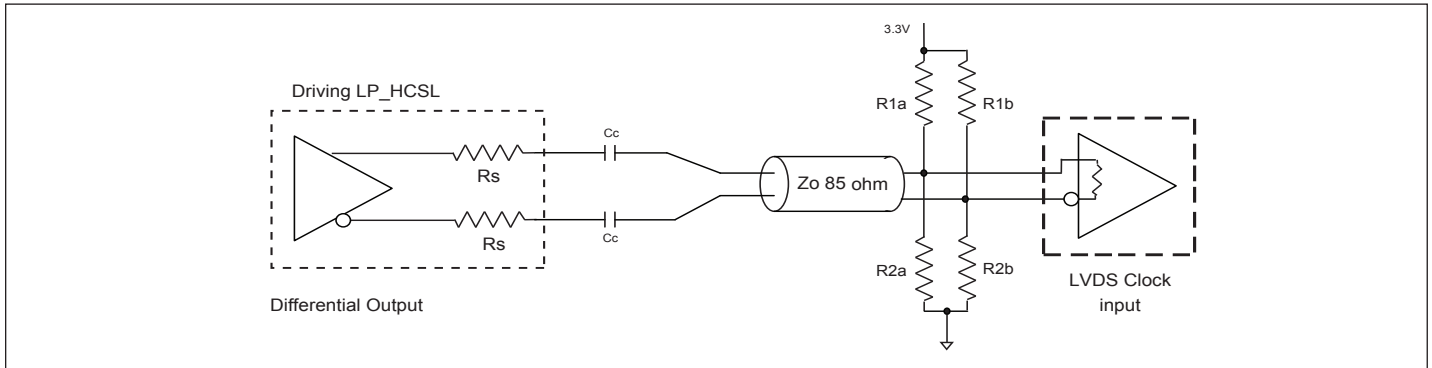


Figure 3. Differential Output Driving LVDS

Power Supply

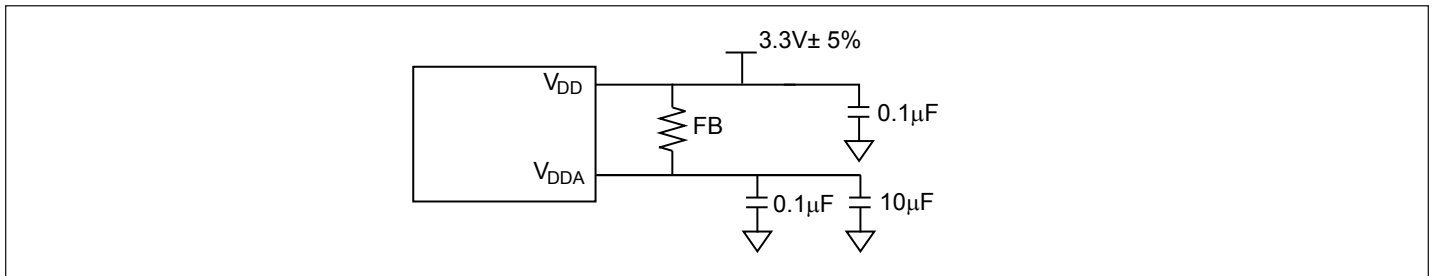



Figure 4. Power Supply Filter

Thermal Characteristics Table

Symbol	Parameter	Conditions	Min.	Typ.	Max.	Unit
θ_{JA}	Thermal Resistance Junction to Ambient	Still air		38.15		°C/W
θ_{JC}	Thermal Resistance Junction to Case			24.66		°C/W

Part Marking

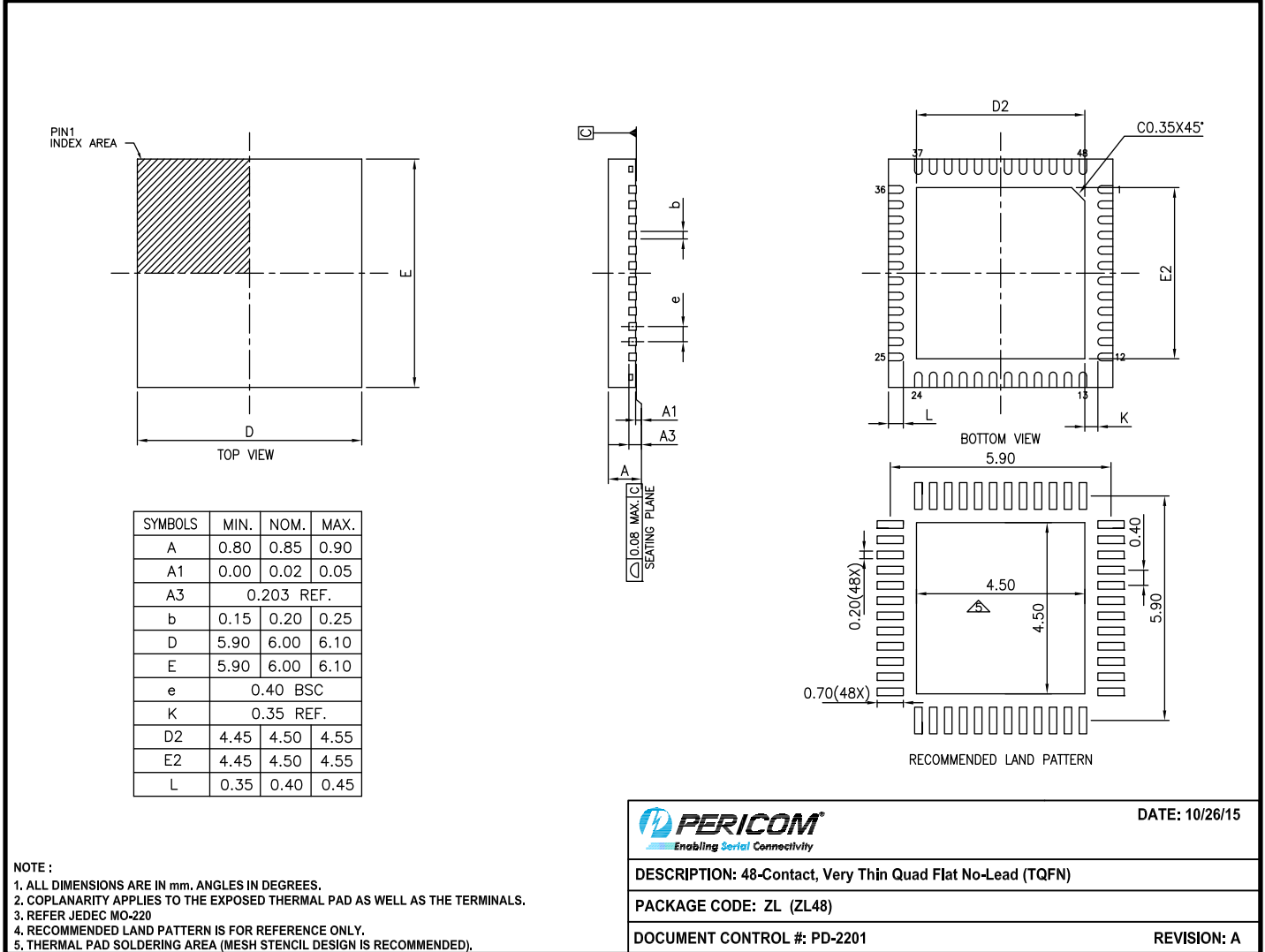


PI6CBE33
085ZLIE
ZYYWWXX

Z: Die Rev
YY: Date Code (Year)
WW: Date Code (Workweek)
1st X: Assembly Site Code
2nd X: Wafer Fab Site Code
Bar above Fab Code means Cu Wire

Packaging Mechanical

48-TQFN (ZL)



15-0244

For latest package information:

See <http://www.diodes.com/design/support/packaging/pericom-packaging/packaging-mechanicals-and-thermal-characteristics/>.

PERICOM Enabling Serial Connectivity	DATE: 10/26/15
DESCRIPTION: 48-Contact, Very Thin Quad Flat No-Lead (TQFN)	
PACKAGE CODE: ZL (ZL48)	
DOCUMENT CONTROL #: PD-2201	REVISION: A

Ordering Information

Ordering Code	Package Code	Package Description	Temperature	Pin 1 Orientation
PI6CBE33085ZLIEX	ZL	48-Contact, Very Thin Quad Flat No-Lead (TQFN)	-40~85°C	Top Right Corner
PI6CBE33085ZLIEX-13R	ZL	48-Contact, Very Thin Quad Flat No-Lead (TQFN)	-40~85°C	Top Left Corner

Notes:

1. No purposely added lead. Fully EU Directive 2002/95/EC (RoHS), 2011/65/EU (RoHS 2) & 2015/863/EU (RoHS 3) compliant.
2. See <https://www.diodes.com/quality/lead-free/> for more information about Diodes Incorporated's definitions of Halogen- and Antimony-free, "Green" and Lead-free.
3. Halogen- and Antimony-free "Green" products are defined as those which contain <900ppm bromine, <900ppm chlorine (<1500ppm total Br + Cl) and <1000ppm antimony compounds.
4. I = Industrial
5. E = Pb-free and Green
6. X suffix = Tape/Reel
7. For packaging detail, go to our website at: <https://www.diodes.com/assets/MediaList-Attachments/Diodes-Package-Information.pdf>

Pin 1 Orientation

