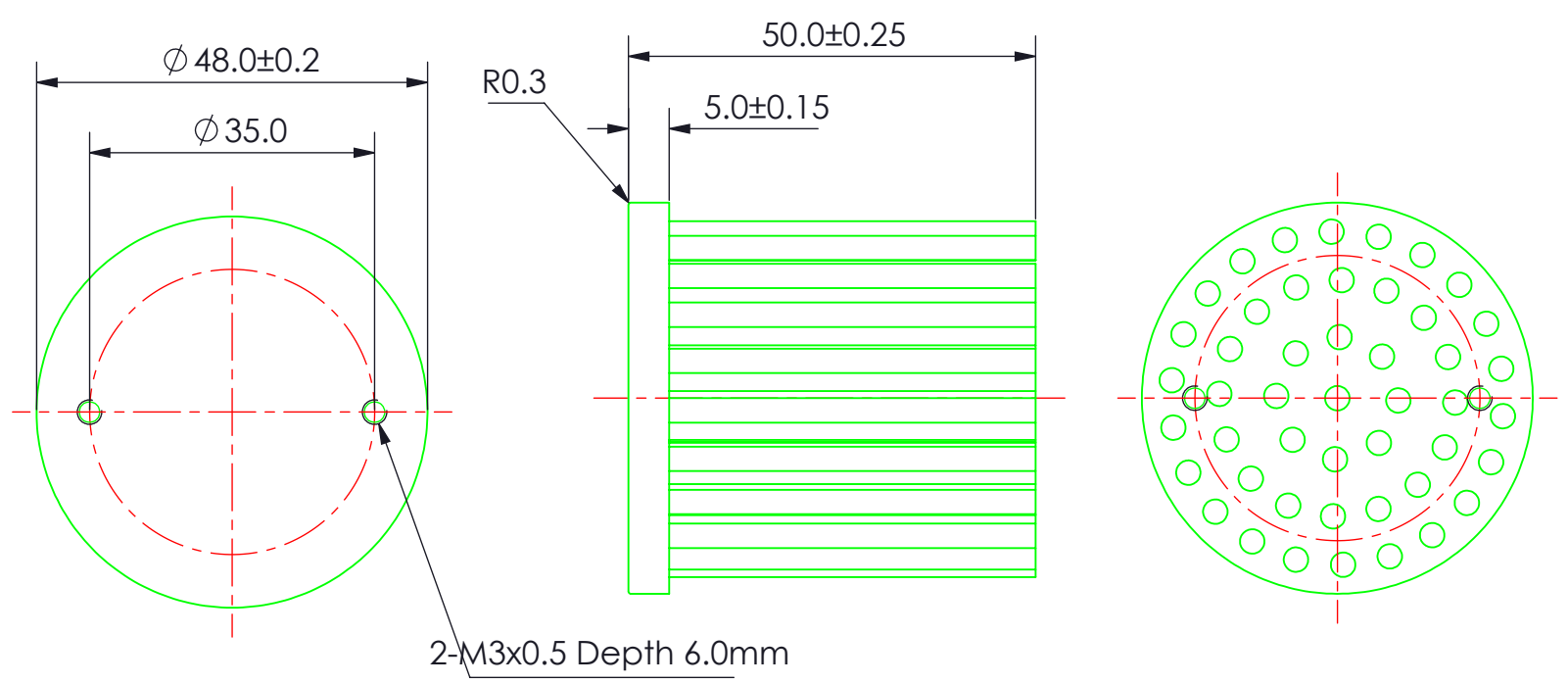


8 7 6 5 4 3 2 1

D
C
B
A



D
C
B
A

<p>PROPRIETARY AND CONFIDENTIAL</p> <p>THE INFORMATION CONTAINED IN THIS DRAWINGS IS THE SOLE PROPERTY OF WAKEFIELD-VETTE. ANY REPRODUCTION IN PART OR AS A WHOLE WITHOUT THE WRITTEN PERMISSION OF WAKEFIELD-VETTE IS PROHIBITED.</p>	<p>THIRD ANGLE PROJECTION</p>		<p>TOLERANCES ALL DIMS IN MM(IN)</p>	 33 BRIDGE ST. PELHAM, NH 03076 (603)635-2800 TITLE:
	APPROVALS	DATE:		
	DRAWN:	1/15/2021	DRAWING NOT TO SCALE	
	MATERIAL:	CHK:	REVISION:	
FINISH:	DSGN ENG:	1/15/2021	DESCRIPTION:	
	MFG ENG:			
	QA:		SCALE: 1.1:1	DWG. NO. Draw1 1 OF 1
SH_SIZE: B	MODEL_INFO:			

8 7 6 5 4 3 2 1