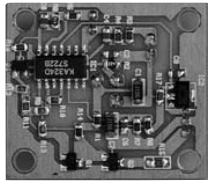


SE-10

Memo



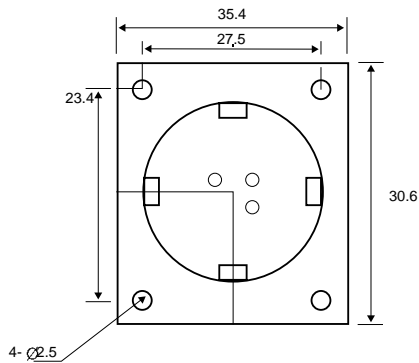
DC 12V(+B)
GND
ALARM(AL)

• BACK SIDE



• FRONT SIDE

Dimensions



Specifications

ITEM		Specification	Unit	Condition
Sensor Type		Dual Element		
Housing		TO 5		
Element Size		2×1	mm	
Spacing		1	mm	
Responsivity	Min Typ	3.2 4.0	xv/w	7...14mm, 1Hz, 100°C (One element cover)
Match	Max	<10	%	7...14mm, 1Hz, 100°C (Both element expose)
Noise	Typ Max	20 50	μ V-P-P V	25°C, 0.4...10Hz
Effect Voltage	Min Max	0.2 1.5		Re=47XO
Window Material		Silicon, coated		
Spectral Range	Transmission Blocking	T>30 average T<0.1	%	7...14mm <5mm
Operating Voltage		12	V	
Operating Temperature		-10~40	°C	
Storage Temperature		-40~80	°C	