

MODEL: PJ-005B | **DESCRIPTION:** DC POWER JACK**FEATURES**

- 2.5 mm center pin
- mounting hardware includes nut and washer
- panel mount

**SPECIFICATIONS**

parameter	conditions/description	min	typ	max	units
rated input voltage			24		Vdc
rated input current				5	A
contact resistance				30	mΩ
insulation resistance	at 500 Vdc	100			MΩ
voltage withstand	at 50/60Hz for 1 minute			500	Vac
insertion/withdrawal force		0.3		3	kg
operating temperature		-40		70	°C
life			5,000		cycles
flammability rating	plastic: UL94V-0 insulator: UL94HB				
RoHS	yes				

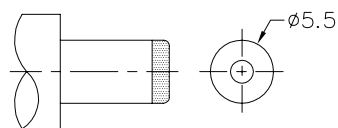
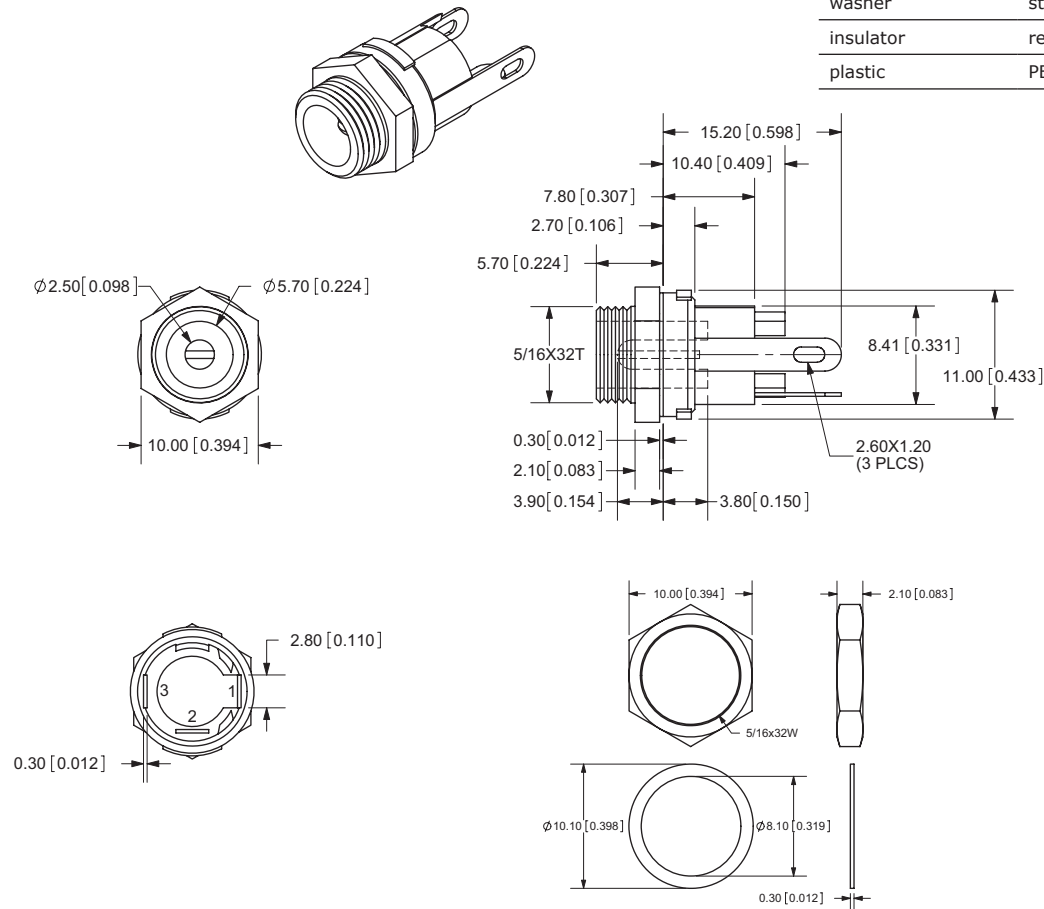
SOLDERABILITY

parameter	conditions/description	min	typ	max	units
hand soldering	for 3~5 seconds	295	300	305	°C

MECHANICAL DRAWING

units: mm[inches]
tolerance: ±0.3mm

	MATERIAL	PLATING
center pin	brass	nickel
terminal 1	brass	silver
terminal 2	phosphor bronze	silver
terminal 3	brass	silver
bushing	brass	nickel
nut	brass	nickel
washer	steel	nickel
insulator	red vulcanized fiber	
plastic	PBT	



MATING PLUG
Jack Insertion Depth: 9.0 mm

SCHEMATIC	
Model	PJ-005B
Center Pin	Ø2.5 mm

Note: 1. All specifications measured at 10~35°C, humidity at 45~85%, under standard atmospheric pressure, unless otherwise noted.