

MODEL: PJ-006B-SMT-TR | **DESCRIPTION:** DC POWER JACK

FEATURES

- 2.5mm center pin
- 4 A rating
- vertical orientation
- surface mount (SMT)



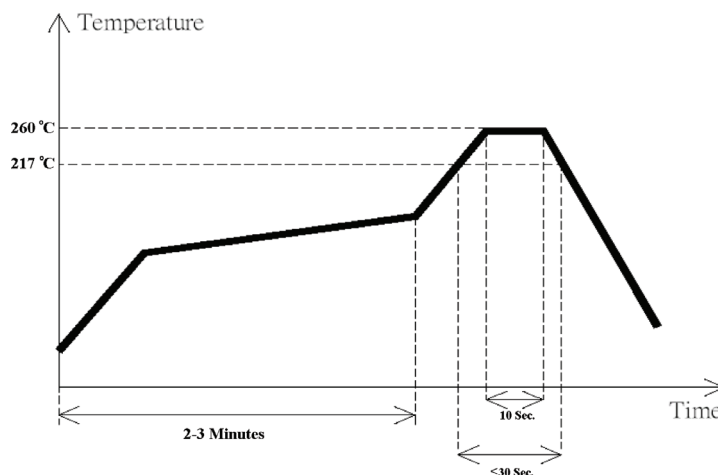
SPECIFICATIONS

| parameter | conditions/description | min | typ | max | units |
|---------------------------------|--|-----|-------|----------|----------|
| rated input voltage | | | 18 | | Vdc |
| rated input current | | | | 4 | A |
| contact resistance ¹ | between terminal and mating plug between terminal in a closed circuit | | | 50 30 | mΩ mΩ |
| insulation resistance | at 500 Vdc | 100 | | | MΩ |
| voltage withstand | at 50/60Hz for 1 minute | | | 500 | Vac |
| insertion/withdrawal force | | 0.3 | | 3 | kg |
| terminal strength | any direction for 10 seconds | | | 500 | g |
| operating temperature | | -25 | | 85 | °C |
| life | | | 5,000 | | cycles |
| flammability rating | UL94V-0 | | | | |
| RoHS | yes | | | | |

Notes: 1. When measured at a current of less than 1 A.

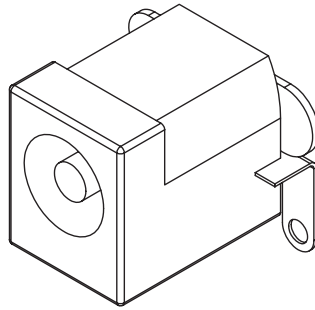
SOLDERABILITY

| parameter | conditions/description | min | typ | max | units |
|------------------|------------------------|-----|-----|-----|-------|
| reflow soldering | see reflow profile | | 260 | 265 | °C |

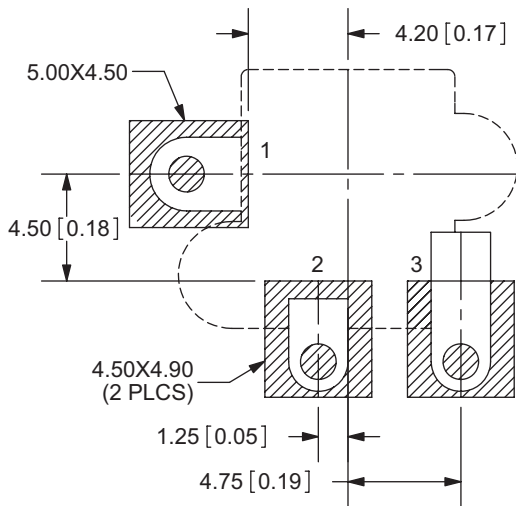
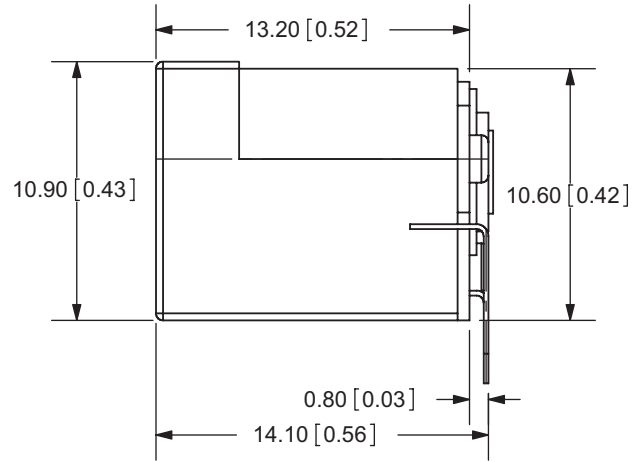
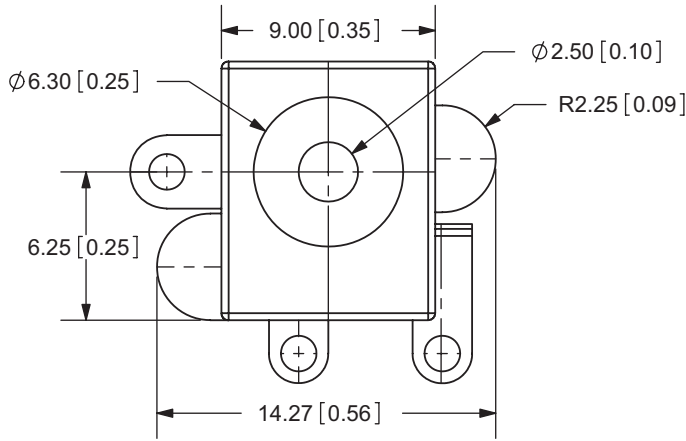


MECHANICAL DRAWING

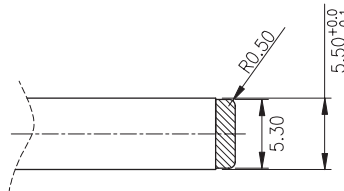
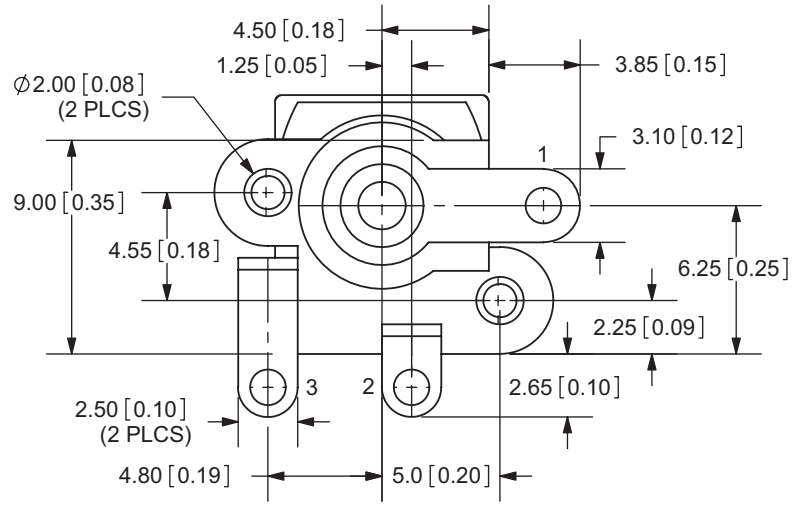
units: mm[inches]
 tolerance:
 X.X ±0.3mm
 X.XX ±0.2mm



| | MATERIAL | PLATING |
|------------------------|--------------|---------------|
| center pin | copper alloy | nickel plated |
| terminal 1 | copper alloy | silver plated |
| terminal 2 | copper alloy | silver plated |
| terminal 3 | copper alloy | silver plated |
| plastic (housing) | LCP | |
| plastic (bottom cover) | PA10T | |



PCB LAYOUT
TOP VIEW



MATING PLUG
Jack Insertion Depth: 8.95mm

| | |
|------------|-------------|
| SCHEMATIC | |
| Model | PJ-006B-SMT |
| Center Pin | Ø2.5 mm |

PACKAGING

units: mm

Reel Size: Ø380

Reel QTY: 250 pcs per reel

