

MODEL: PJ-007 | **DESCRIPTION:** DC POWER JACK

FEATURES

- PCB mount
- tapered PC pins
- non-shielded


SPECIFICATIONS

parameter	conditions/description	min	typ	max	units
rated input voltage			24		Vdc
rated input current				3.5	A
contact resistance				50	mΩ
insulation resistance	at 500 Vdc	100			MΩ
voltage withstand				500	Vac
insertion/withdrawal force		0.3		2	kg
operating temperature		-25		85	°C
life			5,000		cycles
flammability rating	UL94V-0				
RoHS	yes				

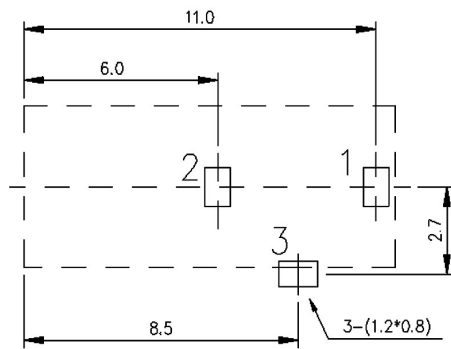
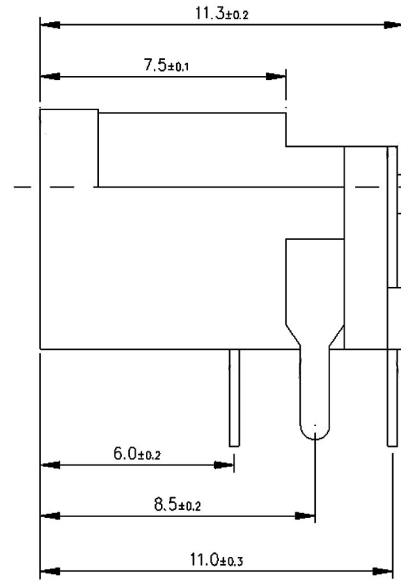
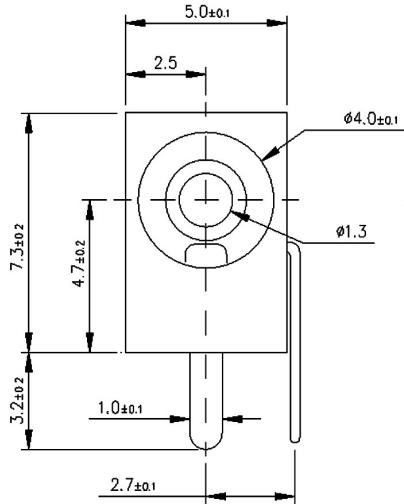
SOLDERABILITY

parameter	conditions/description	min	typ	max	units
wave soldering	dipped in solder pot for 5 ±0.5 seconds	255	260	265	°C

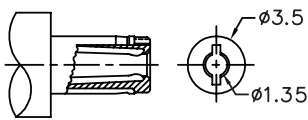
MECHANICAL DRAWING

units: mm
 tolerance:
 X ±0.15 mm
 X.X ±0.10 mm
 X.XX ±0.050 mm
 PCB: ±0.05 mm

DESCRIPTION	MATERIAL	PLATING/COLOR
center pin	brass	silver
terminal 1	brass t=0.50	silver
terminal 2	brass t=0.50	silver
terminal 3	brass t=0.50	silver
cover	PA10T (UL94V-0)	black
housing	PA10T (UL94V-0)	black



Recommended PCB Layout
Top View



MATING PLUG
Jack Insertion Depth: 7.0 mm

SCHEMATIC	
Model	PJ-007
Center Pin	Ø1.30 mm