

MODEL: PJ-014DH-SMT-TR | **DESCRIPTION:** DC POWER JACK

FEATURES

- low profile
- 3.5 A current rating

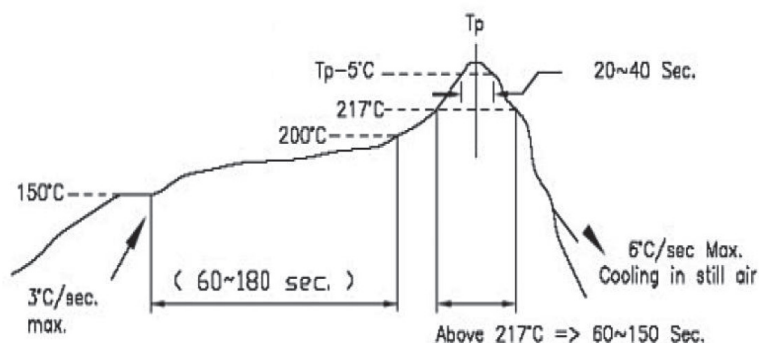

SPECIFICATIONS

parameter	conditions/description	min	typ	max	units
rated input voltage			24		Vdc
rated input current				3.5	A
contact resistance				30	mΩ
insulation resistance	at 500 Vdc	100			MΩ
voltage withstand	for 1 minute			500	Vac
insertion/withdrawal force		0.3		2	kg
operating temperature		-25		85	°C
life			5,000		cycles
flammability rating	UL94V-0				
RoHS	yes				

SOLDERABILITY

parameter	conditions/description	min	typ	max	units
reel storage	10~30°C, <70% humidity				°C
reflow soldering ¹	see reflow profile	255	260		°C
drying conditions ²	parts in reel: bake at 110°C for 4 hours parts removed from reel: bake at 110°C for 4 hours				

Note: 1. CUI Devices recommends to solder within 72 hours from opening vacuum packaging at a temperature <30°C & relative humidity <60%.
2. When exceeding floor life by >240 hours.



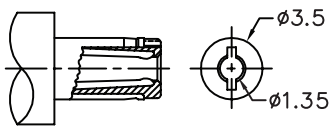
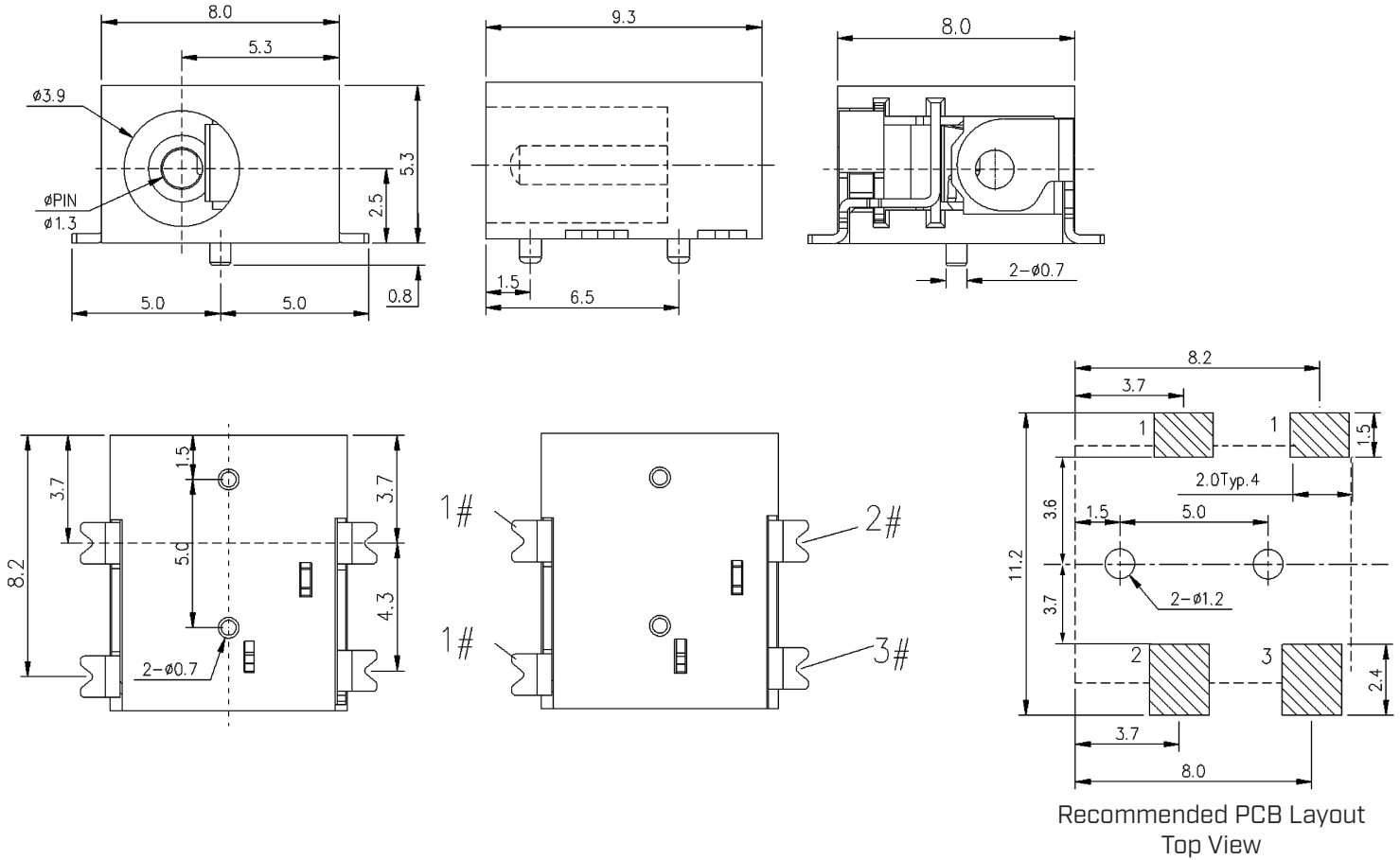
* Time 25°C to Peak Temp. ---- 8 Minutes Max.

* Time within 5°C of Actual Peak Temp. -- 20~40 Seconds

MECHANICAL DRAWING

units: mm
 tolerance:
 X, ±0.15 mm
 X.X ±0.10 mm
 X.XX ±0.05 mm
 PCB: ±0.10 mm
 unless otherwise specified

DESCRIPTION	MATERIAL	PLATING/COLOR
center pin	brass	silver
terminal 1	brass t=0.50	silver
terminal 2	bronze t=0.25	silver
terminal 3	brass t=0.50	silver
housing	PA10T (UL94V-0)	black



MATING PLUG
 Jack Insertion Depth: 5.9 mm

Schematic	
Model	PJ-014DH-SMT-TR
Center Pin	Ø1.3 mm

PACKAGING

units: mm

Reel Size: $\varnothing 330$ mm

Reel QTY: 700 pcs per reel

