

MODEL: PJ-044AH | **DESCRIPTION:** DC POWER JACK**FEATURES**

- 2.0 mm center pin
- 5.0 A rating
- vertical orientation
- through hole

**SPECIFICATIONS**

| parameter | conditions/description | min | typ | max | units |
|---------------------------------|--|-----|-------|----------|----------|
| rated input voltage | | | 24 | | Vdc |
| rated input current | | | | 5.0 | A |
| contact resistance ¹ | between terminal and mating plug between terminal in a closed circuit | | | 50 30 | mΩ mΩ |
| insulation resistance | at 500 Vdc | 100 | | | MΩ |
| voltage withstand | at 50/60Hz for 1 minute | | | 500 | Vac |
| insertion/withdrawal force | | 0.3 | | 3 | kg |
| terminal strength | any direction for 10 seconds | | | 500 | g |
| operating temperature | | -25 | | 85 | °C |
| life | | | 5,000 | | cycles |
| flammability rating | UL94V-0 | | | | |
| RoHS | yes | | | | |

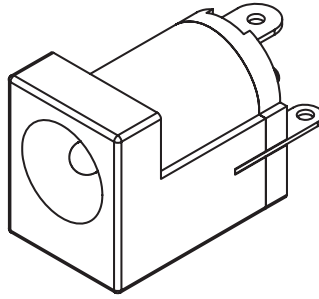
Note: 1. When measured at a current of less than 100 mA/1 kHz

SOLDERABILITY

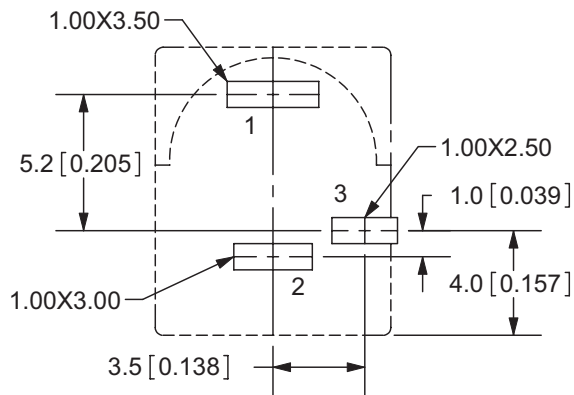
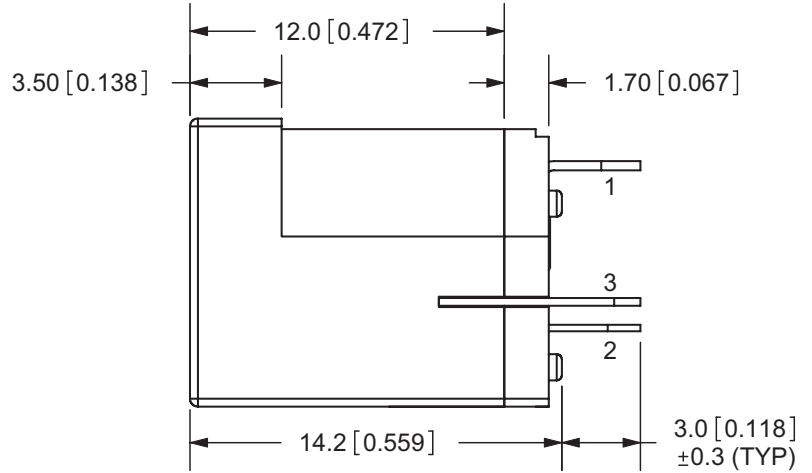
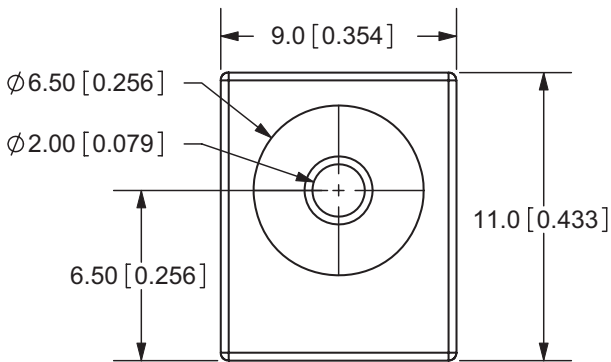
| parameter | conditions/description | min | typ | max | units |
|----------------|---|-----|-----|-----|-------|
| wave soldering | dipped in solder pot for 5 ±0.5 seconds | 255 | 260 | 265 | °C |

MECHANICAL DRAWING

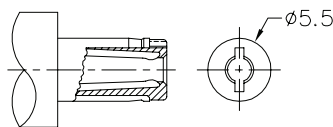
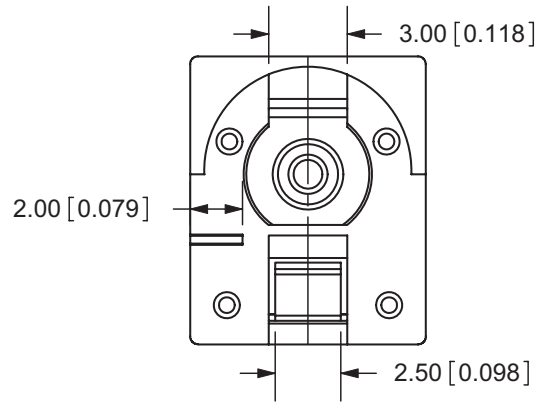
units: mm[inches]
 tolerance:
 X.X ±0.2mm
 X.XX ±0.1mm
 X.XXX ±0.05mm



| | MATERIAL | PLATING |
|------------|--------------|---------|
| center pin | copper | nickel |
| terminal 1 | brass | silver |
| terminal 2 | copper alloy | silver |
| terminal 3 | brass | silver |
| plastic | PBT | |



PCB LAYOUT



MATING PLUG
 Jack Insertion Depth: 9.0 mm

| | |
|------------|----------|
| SCHEMATIC | |
| Model | PJ-044AH |
| Center Pin | Ø2.0 mm |

Note: 1. All specifications measured at 10~35°C, humidity at 45~85%, under standard atmospheric pressure, unless otherwise noted.