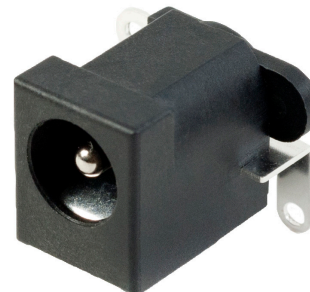


MODEL: PJ-070AH-SMT-TR | **DESCRIPTION:** DC POWER JACK

FEATURES

- 2.0mm center pin
- 5.0 A rating
- vertical orientation
- surface mount (SMT)



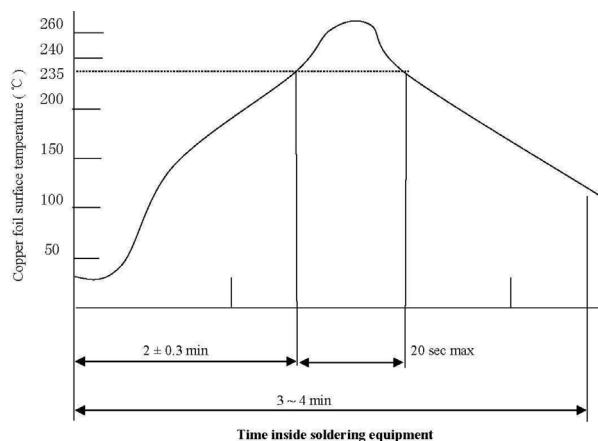
SPECIFICATIONS

parameter	conditions/description	min	typ	max	units
rated input voltage			24		Vdc
rated input current				5.0	A
contact resistance				30	mΩ
insulation resistance	at 500 Vdc	100			MΩ
voltage withstand	for 1 minute			500	Vac
insertion/withdrawal force		0.3		3	kg
operating temperature		-25		85	°C
life			5,000		cycles
flammability rating	UL94V-0				
RoHS	yes				

SOLDERABILITY

parameter	conditions/description	min	typ	max	units
reel storage	≤30°C, ≤80% humidity				°C
reflow soldering ¹	see reflow profile		260		°C
drying conditions	parts in reel: bake at 40±5°C for 72 hours parts removed from reel: bake at 40±5°C for 10 hours				

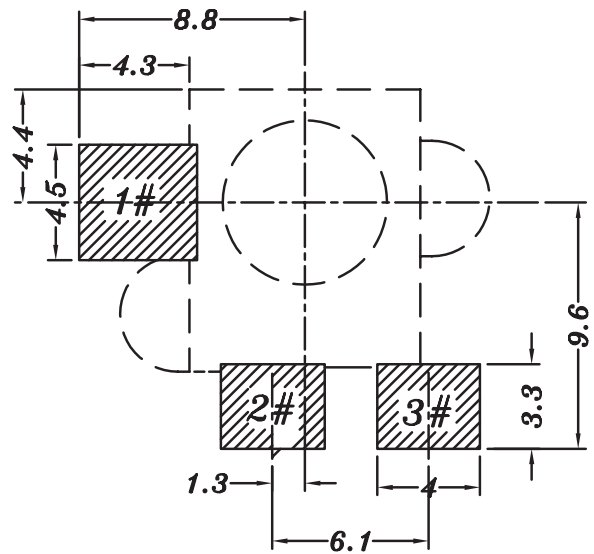
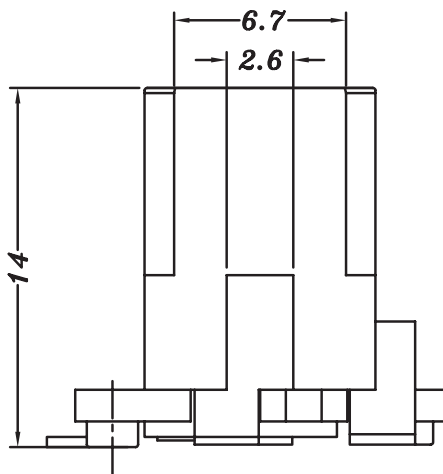
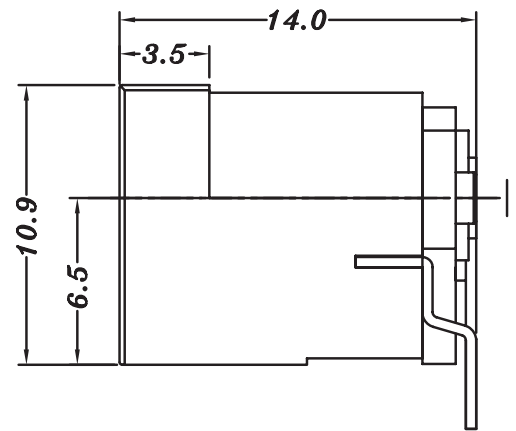
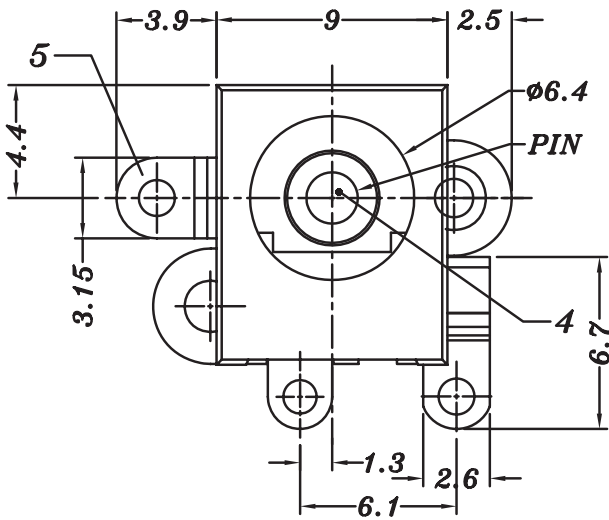
Note: 1. CUI Devices recommends to solder within 72 hours from opening vacuum packaging at a temperature <30°C & relative humidity <80%.



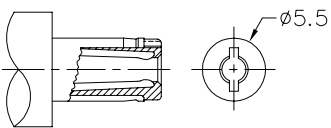
MECHANICAL DRAWING

units: mm
 tolerance:
 0.0 < X ≤ 5.0: ±0.10 mm
 X > 5.0: ±0.20 mm
 unless otherwise specified

DESCRIPTION	MATERIAL	PLATING/COLOR
center pin	brass	nickel
terminal 1	brass	silver
terminal 2	bronze	silver
terminal 3	brass	silver
housing	LCP [UL94V-0]	black
cover	PA9T [UL94V-0]	black



Recommended PCB Layout
Top View



MATING PLUG
Jack Insertion Depth: 8.3 mm

SCHEMATIC	
Model	PJ-070AH-SMT
Center Pin	Ø2.0 mm

PACKAGING

units: mm

Reel Size: $\varnothing 330$ mm

Reel QTY: 300 pcs per reel

