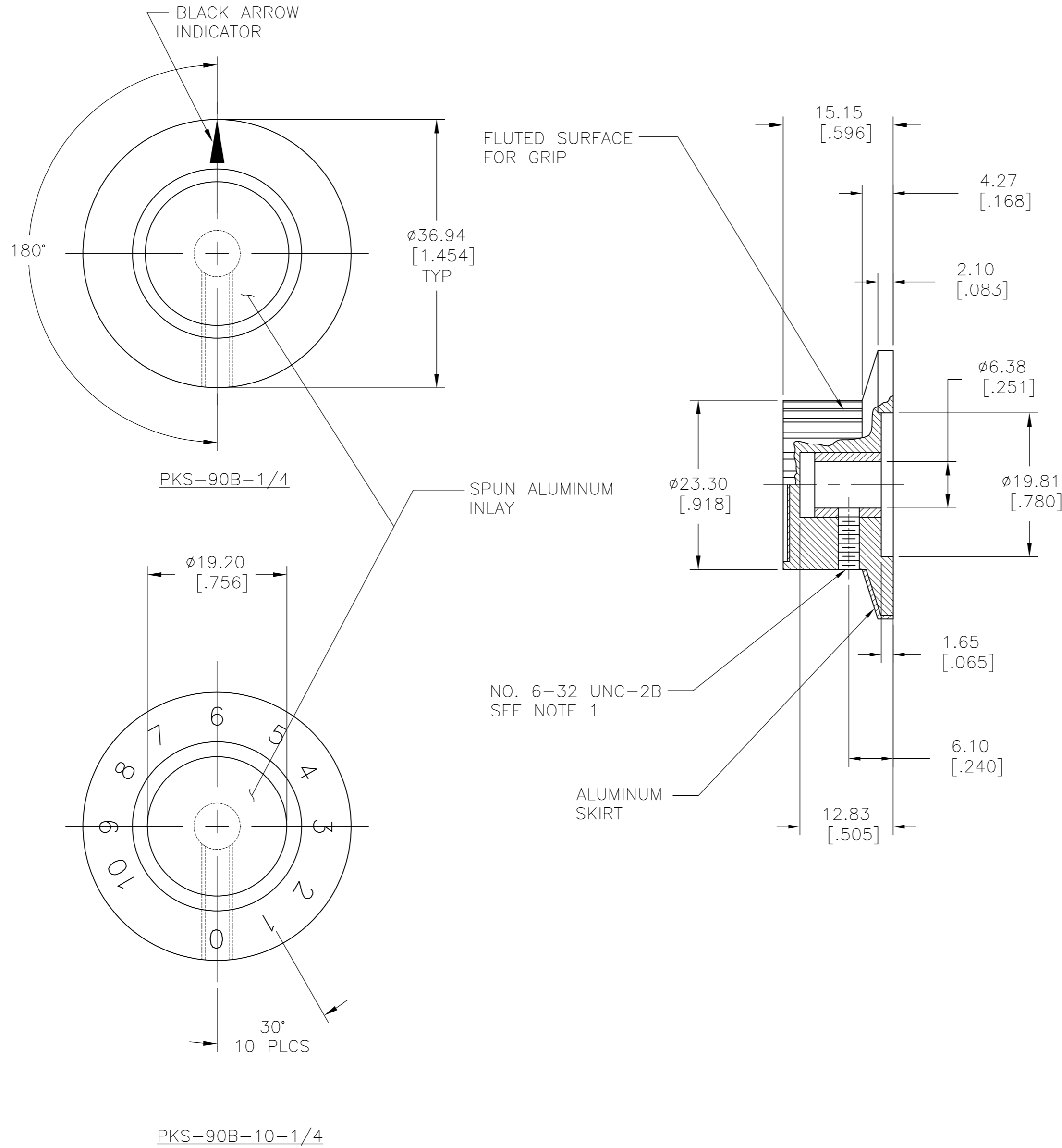


THIS DRAWING IS UNPUBLISHED. RELEASED FOR PUBLICATION
 © COPYRIGHT BY TYCO ELECTRONICS CORPORATION. ALL INTERNATIONAL RIGHTS RESERVED.

LOC		DIST		REVISIONS			
P	LTR	DESCRIPTION	DATE	DWN	APVD		
A		REDRAWN PER ECO-08-027936	19NOV08	HMR	MW		

1 SUPPLIED WITH ONE STEEL HEX SOCKET SET SCREW
 CUP POINT NO. 6-32 UNC-2A, .312/[7.93] LONG.



TOLERANCES UNLESS NOTED			
0.50-4.00 [.020-.157]	±0.03 [.001]	SHAFT HOLE	+0.07 [.003]
4.01-16.00 [.158-.630]	±0.10 [.004]	Ø6.38 [.251]	-0.00 [.000]
mm [INCH]	16.03-64.00 [.631-2.520]	±0.38 [.015]	ANGULAR ±2° NON-ACCUMULATIVE

0~10	1437625-6
BLACK ARROW	1437625-5
DESCRIPTION	PART NUMBER

THIS DRAWING IS A CONTROLLED DOCUMENT.		DWN RAGHAVENDRA 19NOV08	Tyco Electronics Corporation Harrisburg, PA 17105-3608	
DIMENSIONS: mm [INCHES]		CHK WILBOURN M 19NOV08	NAME PLASTIC KNOB (PKS 90B SERIES)	
TOLERANCES UNLESS OTHERWISE SPECIFIED:		APVD WILBOURN M 19NOV08	PRODUCT SPEC	
0 PLC ± -		APPLICATION SPEC		
1 PLC ± -		WEIGHT -		
2 PLC ± -		SIZE A2		
3 PLC ± -		CAGE CODE 00779		
4 PLC ± -		DRAWING NO C=1437625-5		
ANGLES ± -		RESTRICTED TO -		
FINISH -		SCALE 2:1		
MATERIAL -		SHEET 1 of 1		
CUSTOMER DRAWING		REV A		