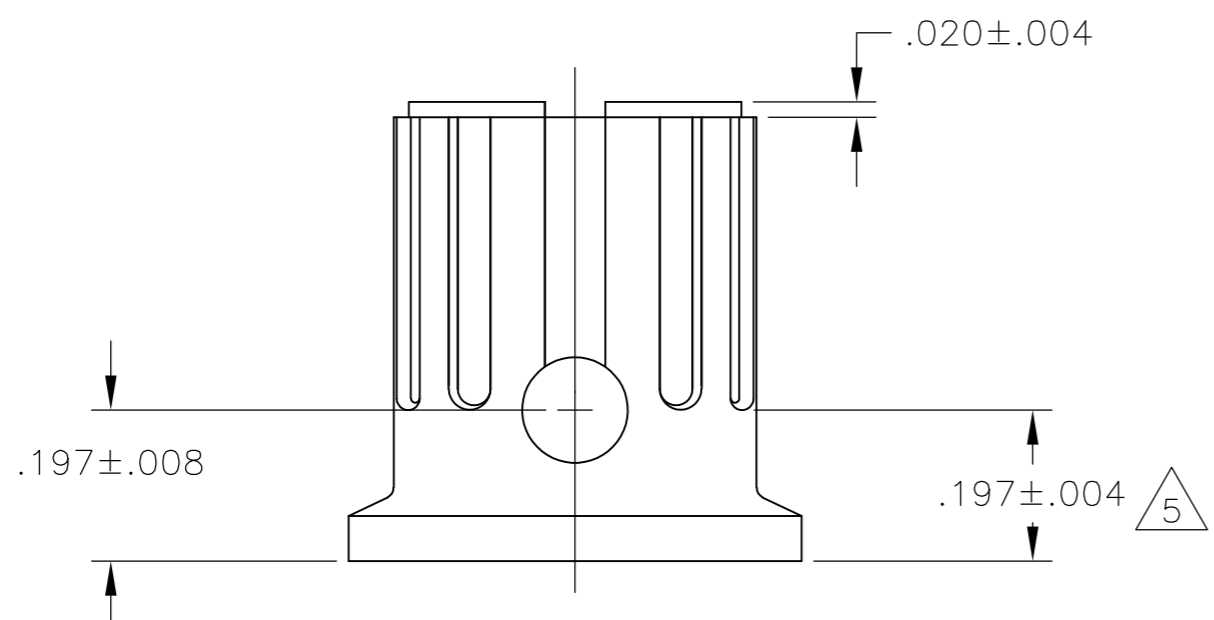
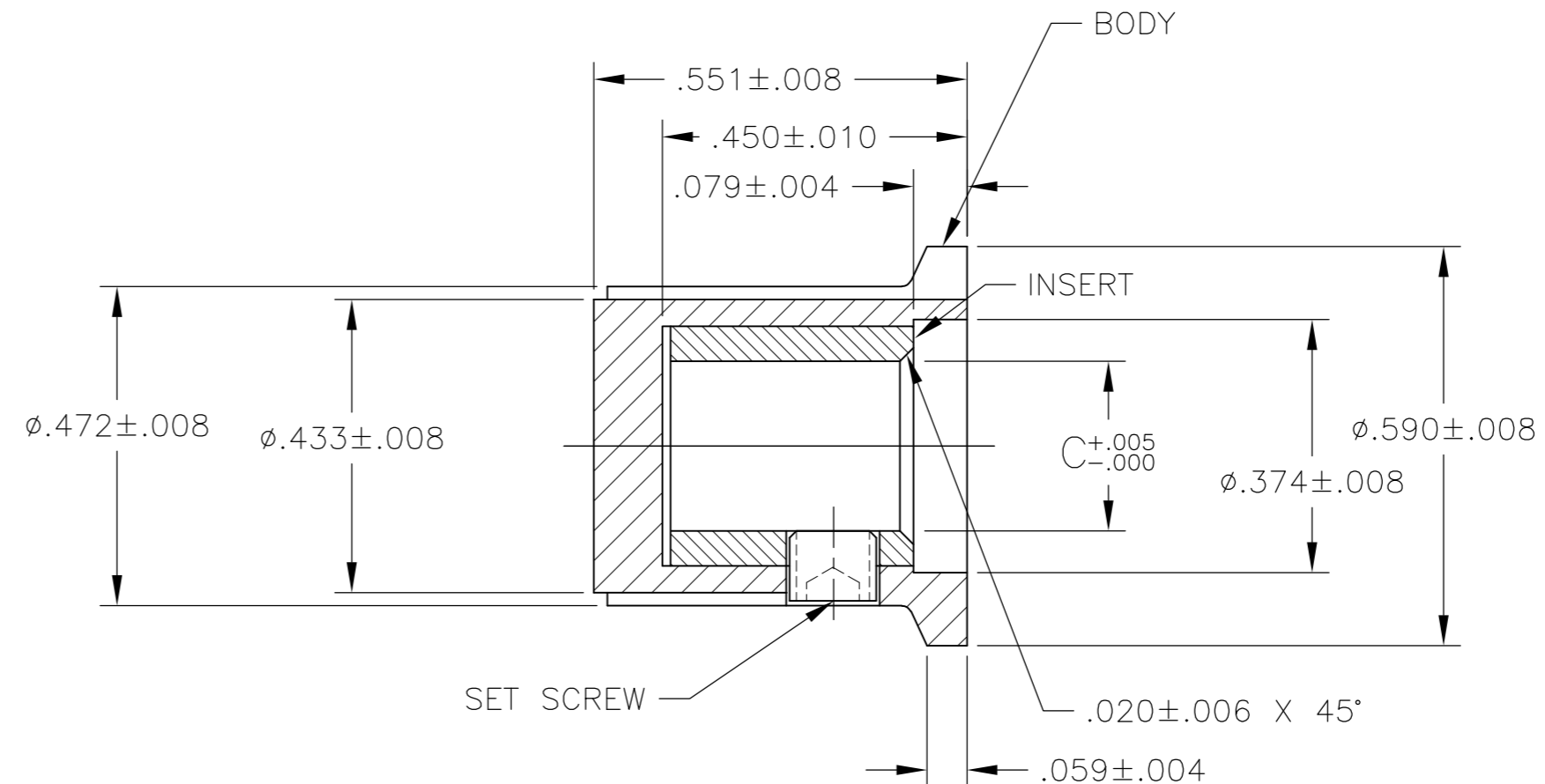
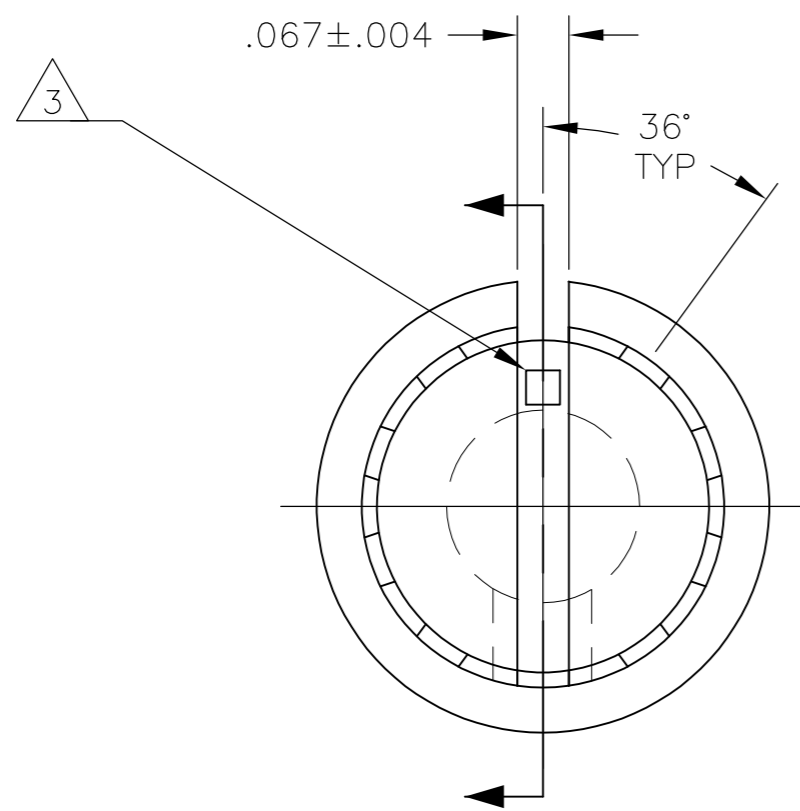


THIS DRAWING IS UNPUBLISHED. RELEASED FOR PUBLICATION
 © COPYRIGHT - By - ALL RIGHTS RESERVED.

REVISIONS				DATE	DWN	APVD
P	LTR	DESCRIPTION				
	K1	REVISED PER ECO-16-001115	02FEB2016	NK	RH	



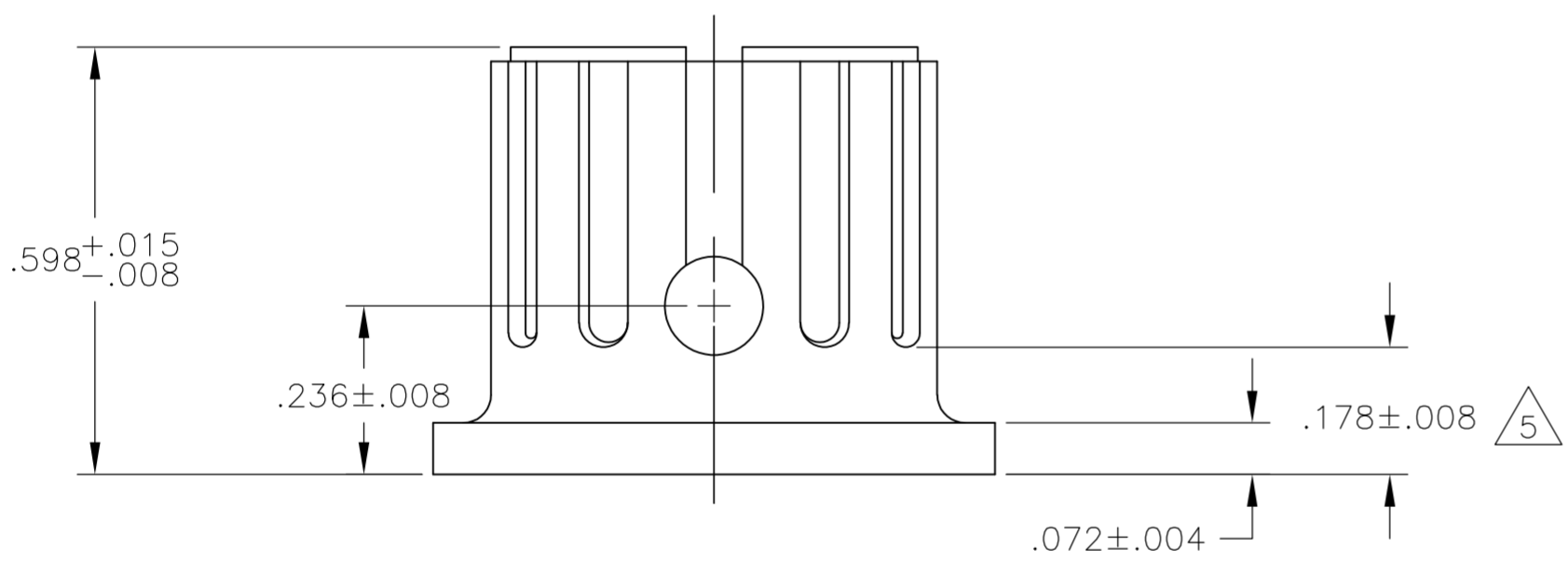
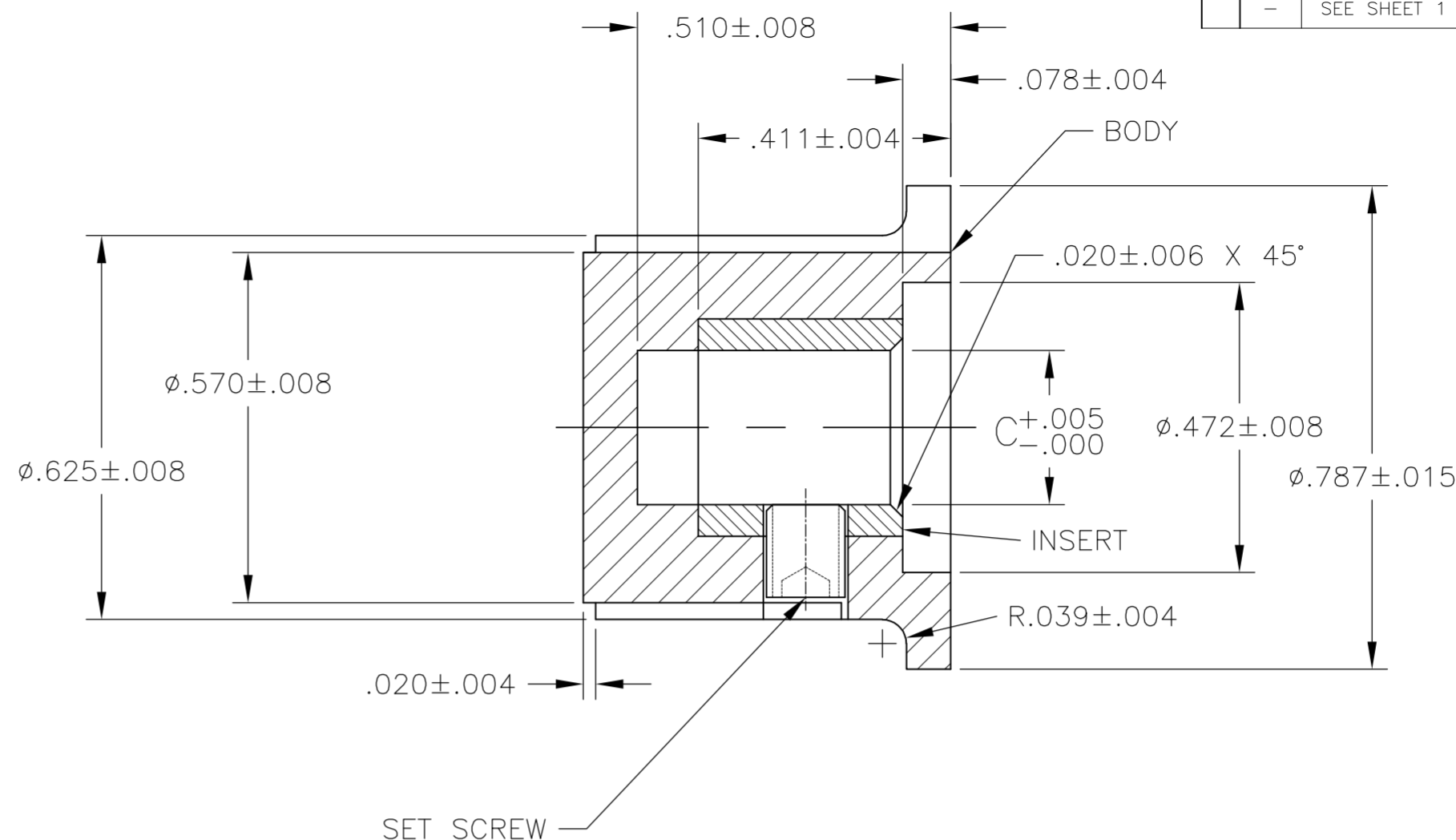
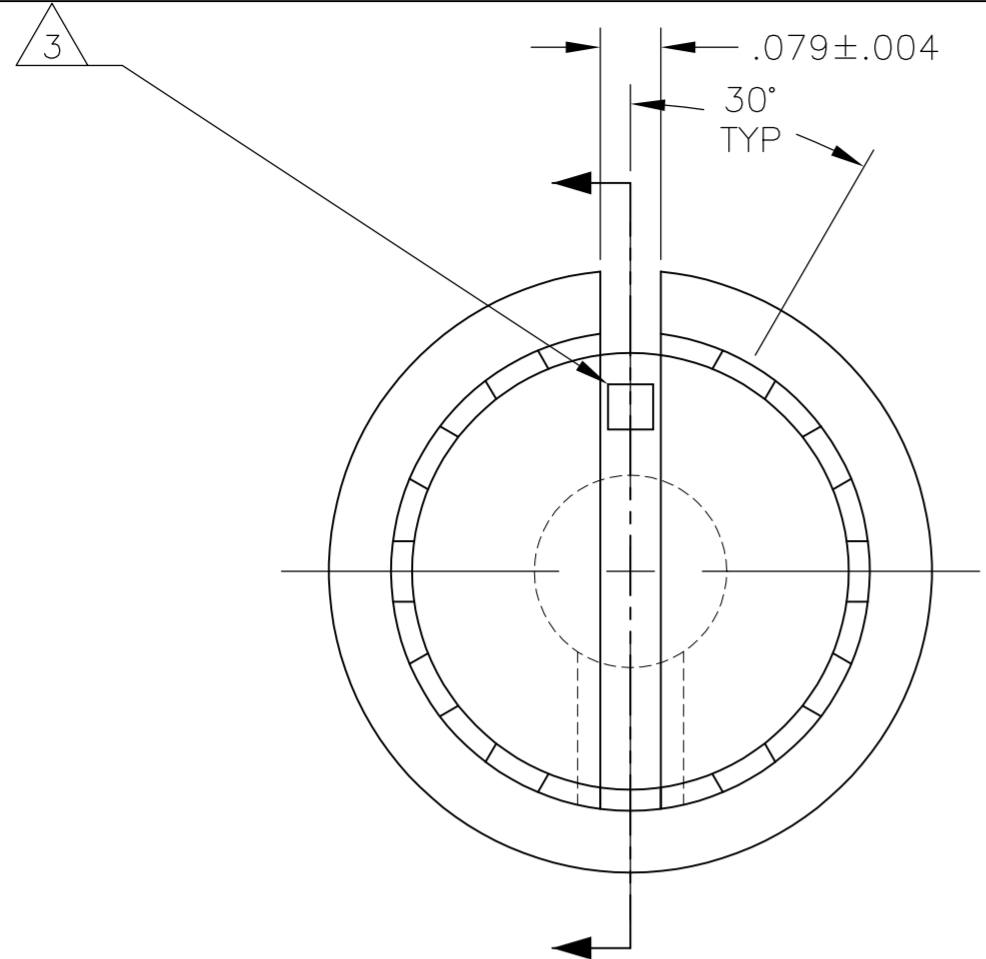
- 1 MATERIAL AND FINISH:
 BODY: PHENOLIC, BLACK
 SET SCREW: 303 STAINLESS STEEL, BLACK ANODIZED
 INSERT: BRASS
- 2 SET SCREWS ARE UNC-2A, CUP POINT, HEX HEAD TYPE. LENGTH TOLERANCE OF ALL SET SCREWS TO BE ±.010
- 3 INDICATOR, PAINTED FULL, COLOR: WHITE; .030 ± .010 DEEP
- 4 RETENTION FORCE OF INSERT IN KNOB BODY: 2 LBS MIN.
- 5 DIMENSION DOES NOT APPLY TO SET SCREW COUNTERBORE.

#4-40 X .187	.251	-	1571682-1
#4-40 X .125	.126	PKX50B1/8	1-1437625-5
#4-40 X .125	.251	PKX50B1/4	1-1437625-4
2 SET SCREW	C SHAFT HOLE	MODEL NUMBER	PART NUMBER

THIS DRAWING IS A CONTROLLED DOCUMENT.		DWN	12MAR03	TE Connectivity	
DIMENSIONS: INCHES		CHK	-	PKX SERIES KNOB	
TOLERANCES UNLESS OTHERWISE SPECIFIED:		APVD	-	-	
0 PLC ± -		PRODUCT SPEC	-	-	
1 PLC ± -		APPLICATION SPEC	-	-	
2 PLC ± -		WEIGHT	-	SIZE	A2
3 PLC ± .004		CUSTOMER DRAWING	-	CAGE CODE	00779
4 PLC ± -		SCALE	1:1	DRAWING NO	1-1437625-1
ANGLES ± 2°		SHEET	1 of 6	RESTRICTED TO	-
MATERIAL	FINISH	REV	K1		

THIS DRAWING IS UNPUBLISHED. RELEASED FOR PUBLICATION
 © COPYRIGHT - By - ALL RIGHTS RESERVED.

LOC		DIST		REVISIONS			
AD	0	P	LTR	DESCRIPTION	DATE	DWN	APVD
		-		SEE SHEET 1	-	-	-

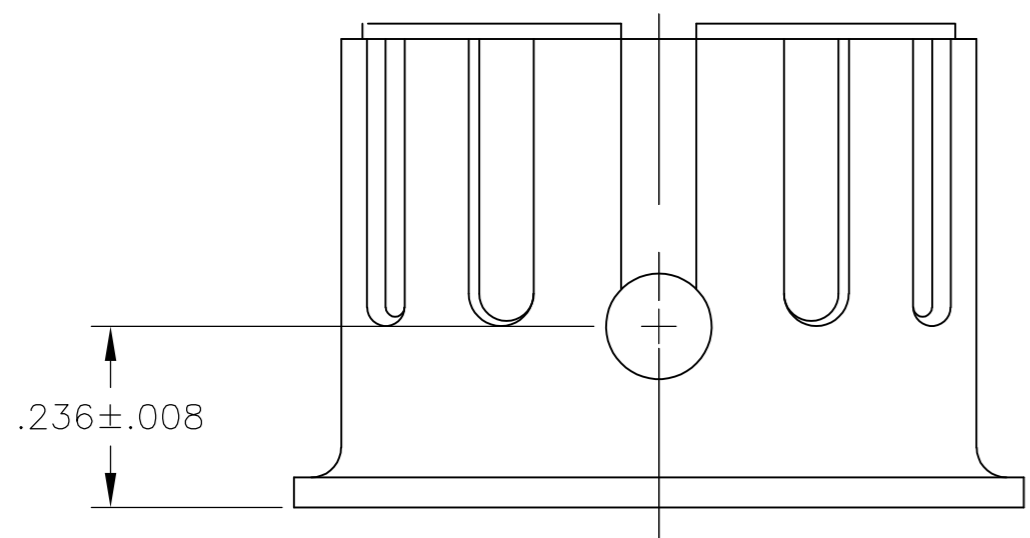
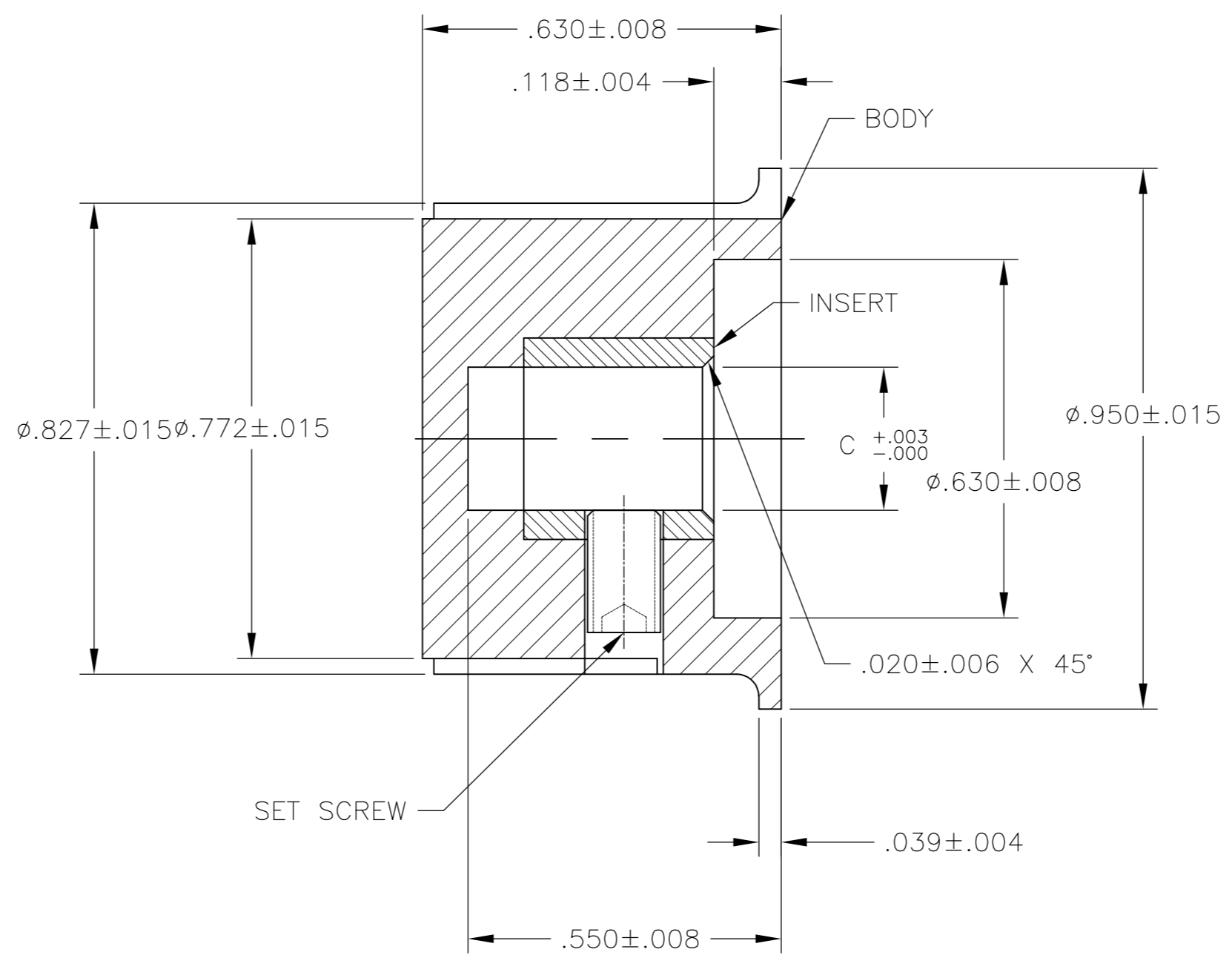
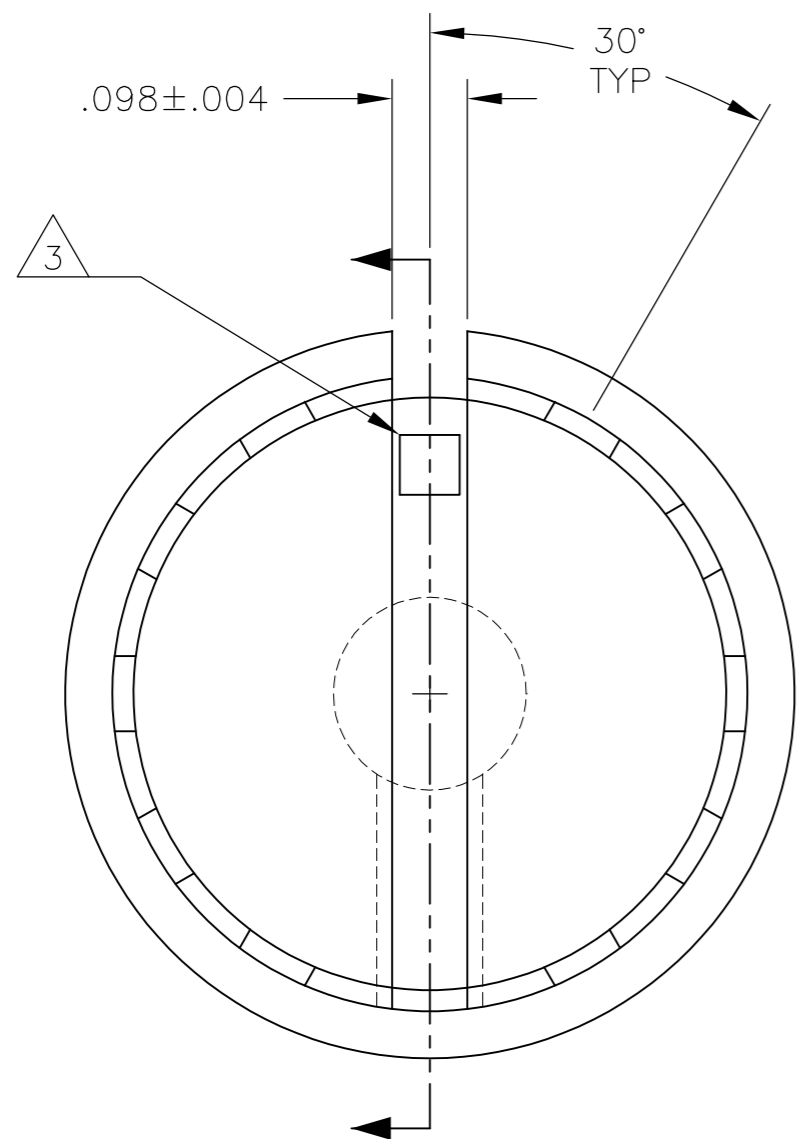


#6-32 X .125	.126	PKX60B1/8	1-1437625-7
OBSOLETE #6-32 X .125	.251	PKX60B1/4	1-1437625-6
SET SCREW		SHAFT HOLE	MODEL NUMBER
			PART NUMBER

THIS DRAWING IS A CONTROLLED DOCUMENT.		DWN	M.BINNER	12MAR03
DIMENSIONS: INCHES		CHK	-	-
TOLERANCES UNLESS OTHERWISE SPECIFIED:		APVD	-	-
0 PLC	± -	PRODUCT SPEC	-	-
1 PLC	± -	APPLICATION SPEC	-	-
2 PLC	± -	WEIGHT	-	-
3 PLC	± .004	SCALE	1:1	SHEET 2 of 6
4 PLC	± -	RESTRICTED TO	-	REV K1
ANGLES	± 2'	MATERIAL FINISH		
MATERIAL		CUSTOMER DRAWING		

THIS DRAWING IS UNPUBLISHED. RELEASED FOR PUBLICATION
 © COPYRIGHT - By - ALL RIGHTS RESERVED.

LOC		DIST		REVISIONS			
P	LTR	DESCRIPTION	DATE	DWN	APVD		
AD	0					SEE SHEET 1	

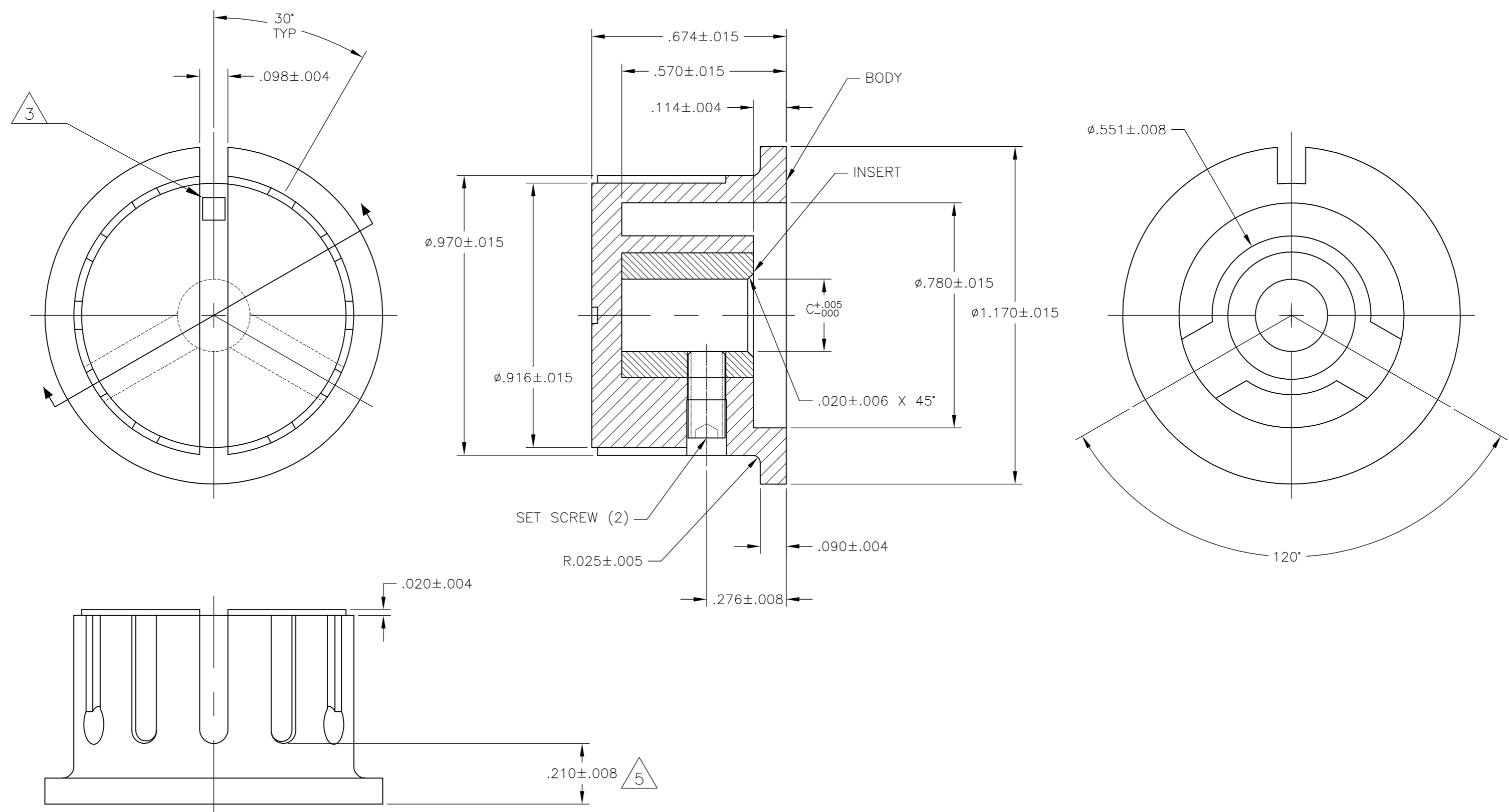


OBSOLETE	#6-32 X .250	.251	PKX80B1/4	1-1437625-8
	SET SCREW		SHAFT HOLE	MODEL NUMBER
				PART NUMBER

THIS DRAWING IS A CONTROLLED DOCUMENT.		DWN	12MAR03	TE Connectivity	
DIMENSIONS: INCHES		CHK	-	PKX SERIES KNOB	
TOLERANCES UNLESS OTHERWISE SPECIFIED:		APVD	-	-	
0 PLC ± -		PRODUCT SPEC	-	-	
1 PLC ± -		APPLICATION SPEC	-	-	
2 PLC ± -		WEIGHT	-	SIZE	CAGE CODE
3 PLC ± .004		FINISH	-	A2	00779
4 PLC ± -				DRAWING NO	RESTRICTED TO
ANGLES ± 2°				C=1-1437625-1	-
MATERIAL				SCALE	SHEET
-				1:1	3 of 6
				REV	K1
CUSTOMER DRAWING					

THIS DRAWING IS UNPUBLISHED. RELEASED FOR PUBLICATION
 © COPYRIGHT - By - ALL RIGHTS RESERVED.

LOC		DIST		REVISIONS			
P	LTR	DESCRIPTION	DATE	DWN	APVD		
AD	0	SEE SHEET 1	-	-	-	-	-

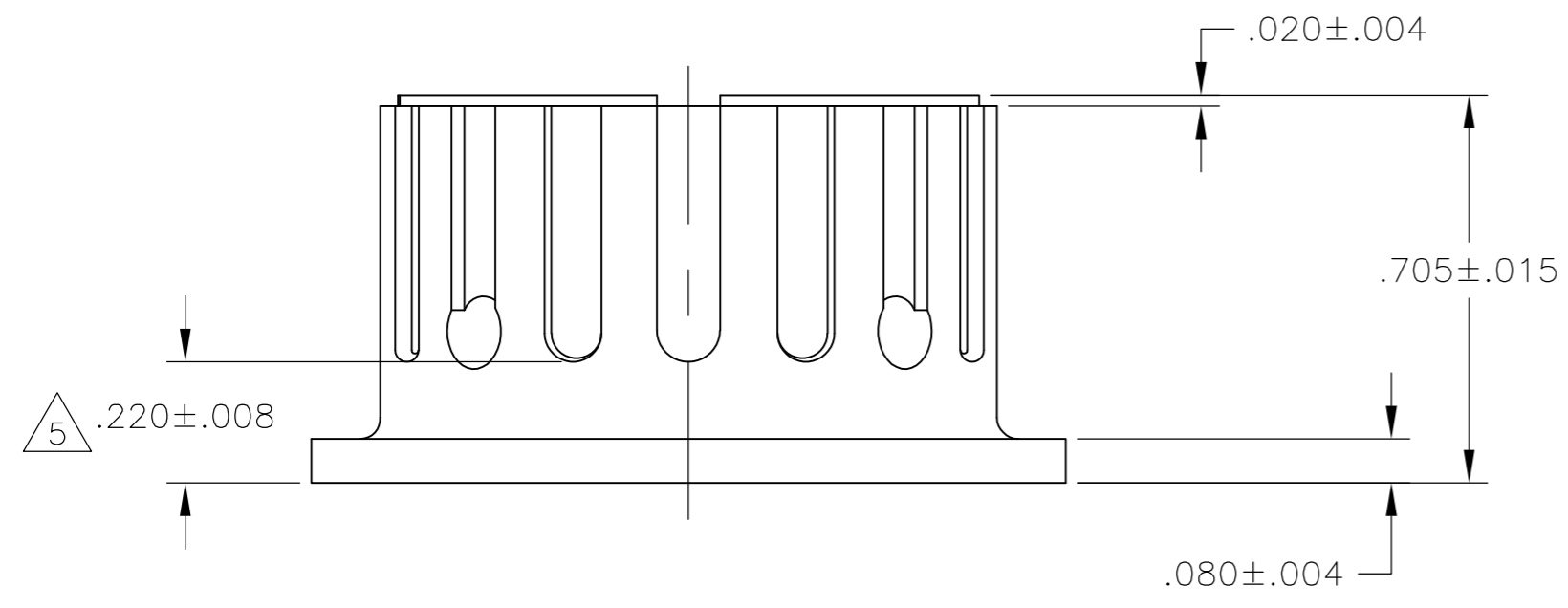
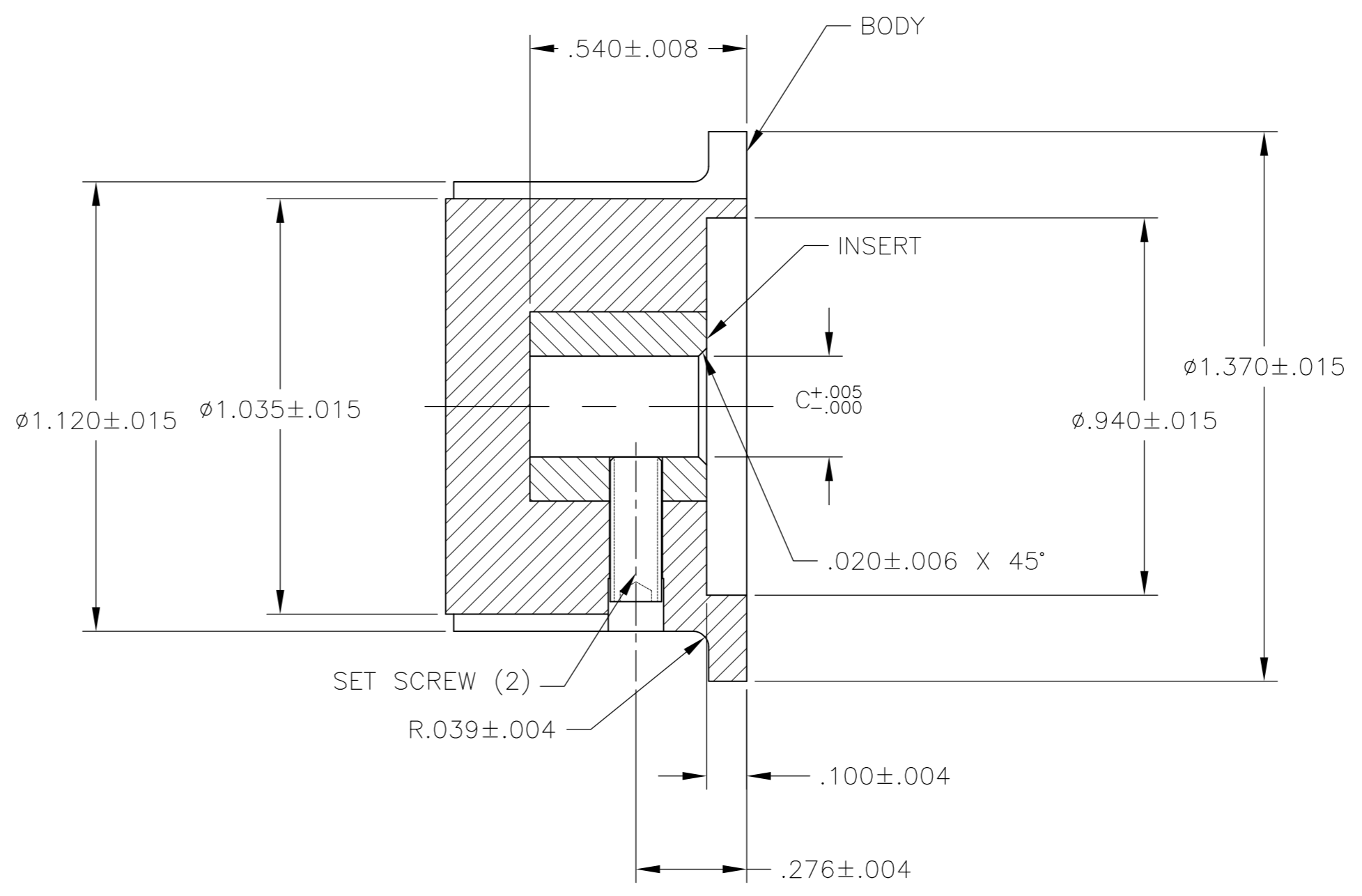
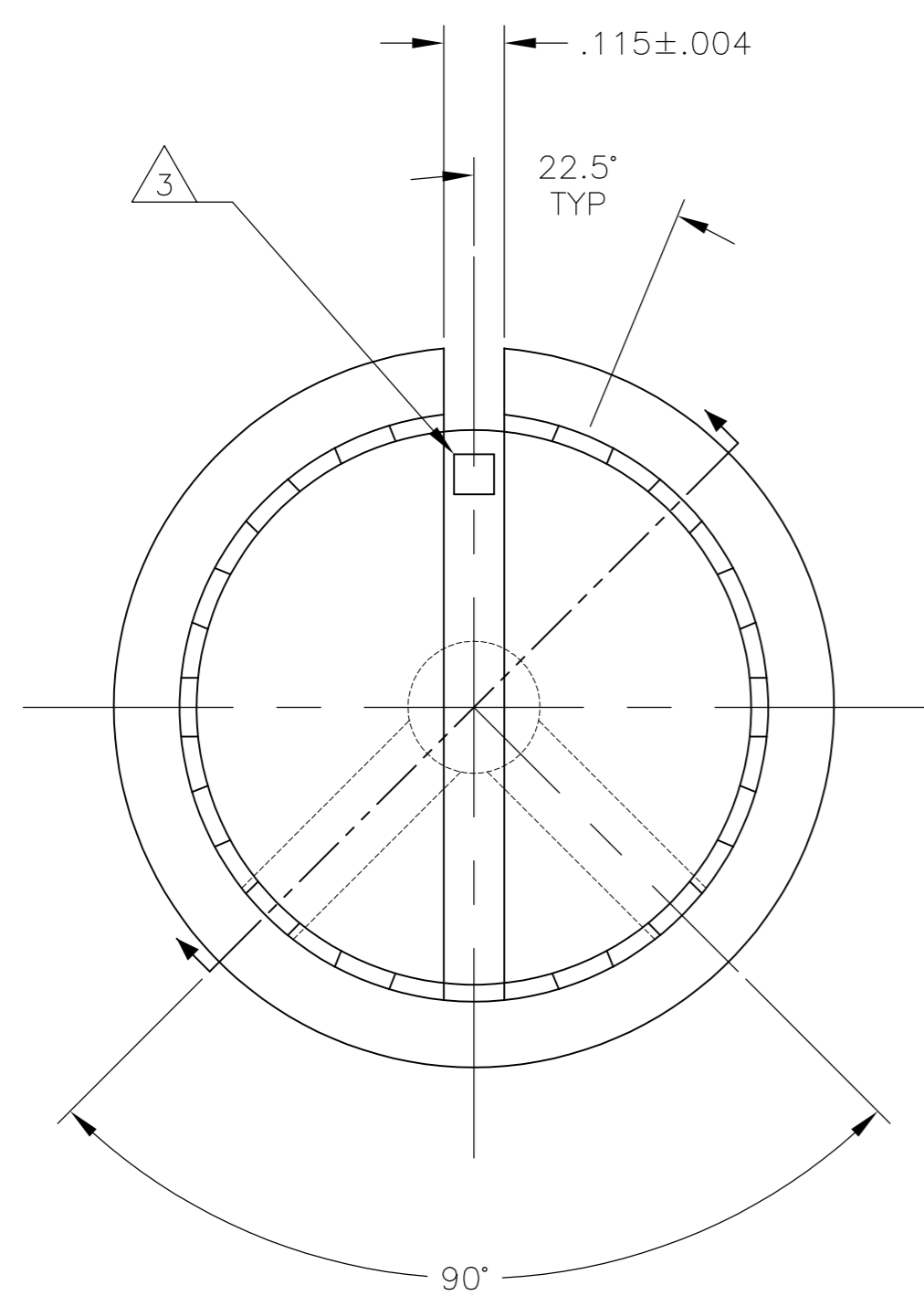


#6-32 X .313	.251	PKX100B1/4	1-1437625-1
SET SCREW	SHAFT HOLE	MODEL NUMBER	PART NUMBER

THIS DRAWING IS A CONTROLLED DOCUMENT.		DWN	12MAR03	M.BINNER	
DIMENSIONS: INCHES		CHK	-	APVD	
TOLERANCES UNLESS OTHERWISE SPECIFIED:		PRODUCT SPEC	-	NAME	
0 PLC ± -		APPLICATION SPEC	-	PKX SERIES KNOB	
1 PLC ± -		WEIGHT	-	SIZE	A2
2 PLC ± -		CUSTOMER DRAWING	-	CAGE CODE	00779
3 PLC ± .004		SCALE	1:1	DRAWING NO	1-1437625-1
4 PLC ± -		SHEET	4 of 6	RESTRICTED TO	-
ANGLES ± 2°		REV	K1		
FINISH					

THIS DRAWING IS UNPUBLISHED. RELEASED FOR PUBLICATION
 © COPYRIGHT - By - ALL RIGHTS RESERVED.

LOC		DIST		REVISIONS			
P	LTR	DESCRIPTION	DATE	DWN	APVD		
AD	0						
		SEE SHEET 1					



#6-32 X .313	.251	PKX110B1/4	1-1437625-2
SET SCREW	C	MODEL NUMBER	PART NUMBER
2	SHAFT HOLE		

THIS DRAWING IS A CONTROLLED DOCUMENT.		DWN	12MAR03	TE Connectivity	
DIMENSIONS: INCHES		CHK	-	PKX SERIES KNOB	
TOLERANCES UNLESS OTHERWISE SPECIFIED:		APVD	-	-	
0 PLC ± -		PRODUCT SPEC	-	-	
1 PLC ± -		APPLICATION SPEC	-	-	
2 PLC ± -		WEIGHT	-	SIZE	RESTRICTED TO
3 PLC ± .004				A2	-
4 PLC ± -				CAGE CODE	DRAWING NO
ANGLES ± 2°				00779	C=1-1437625-1
MATERIAL	FINISH			SCALE	SHEET
-	-			1:1	5 of 6
CUSTOMER DRAWING				REV	K1

1-1437625-1