



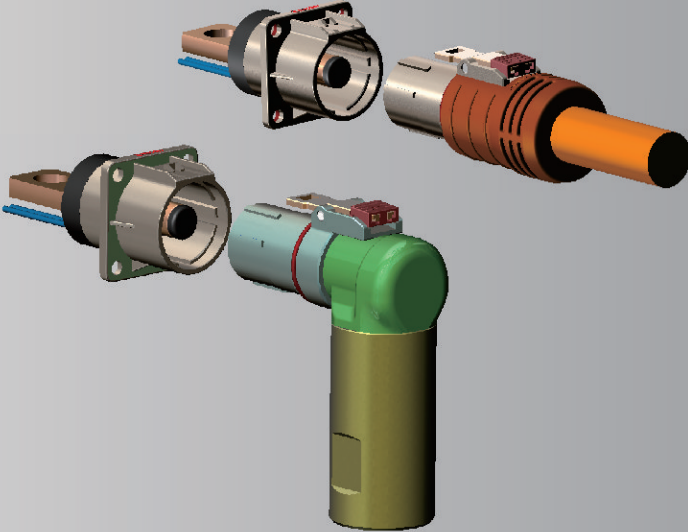
PowerLok™ Features

- Voltage Rating : 1000V DC
- Current Rating: 20 A~500 A
- Low Contact Resistance
- IP67 & Shielding
- Automatic Secondary Lock
- HVIL
- 1 - 3 Positions Available
- 90° and 180° Plug
- 5 Keys

Technical Data and Features

DC Current Rating	20 A~500 A	
DC Voltage Rating	1000V	
Temperature Range	-40°C to +125°C	
Flammability	UL94 V-0	
Mating Cycle	Min. 500	
Protection	IP67	
Shielding	Fully Shielding	
HVIL	Optional	
Multi Polarization	5 Keys	

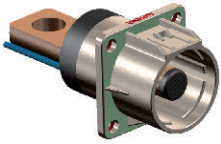
PowerLok™ Recommended Cable Size and Current Rating

Current Rating of Connector (A)	Accepted Cbl Size (mm ²)	Current Rating of Cable (A)	
60 Series	2.5	20	
	4	25	
	6	35	
	10	60	
120 Series	16	90	
	25	120	
300 Series	35	150	
	50	200	
	70	250	
	95	300	
500 Series	70	250	
	95	300	
	120	400	
	150	500	

PowerLok™ Products Overview

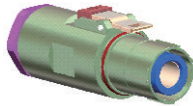
PowerLok™ 1-Position Products

Receptacle:

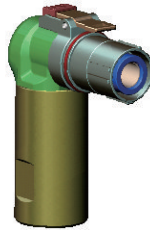


120 Series/300 Series/500 Series Available

Plug:



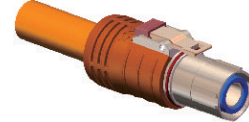
Straight



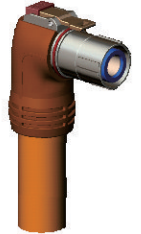
Right Angle

120 Series / 300 Series Available

Overmolded Plug:



Straight

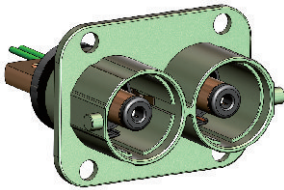


Right Angle

120 Series / 300 Series / 500 Series Available

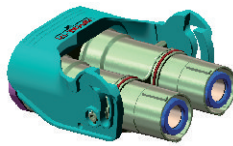
PowerLok™ 2-Position Products

Receptacle:

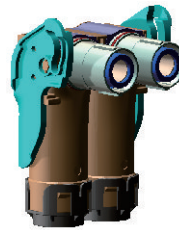


120 Series/300 Series Available

Plug:



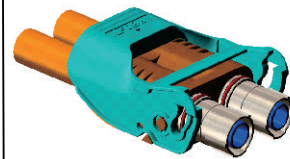
Straight



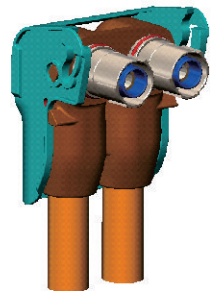
Right Angle

300 Series Available

Overmolded Plug:



Straight

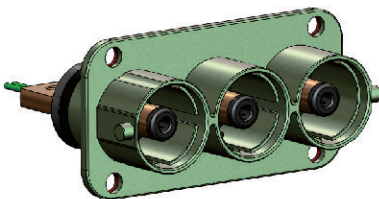


Right Angle

120 Series Available

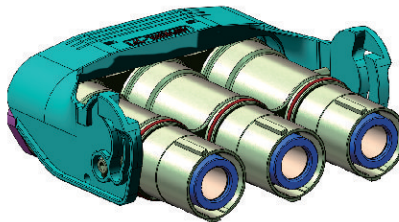
PowerLok™ 3-Position Products

Receptacle:



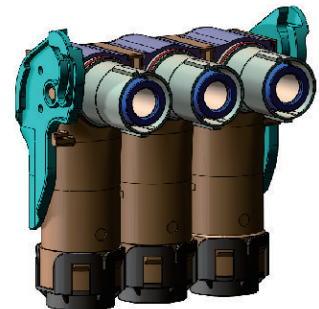
300 Series Available

Straight Plug:



300 Series Available

Right Angle Plug:

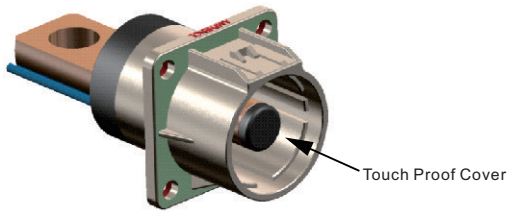


300 Series Available

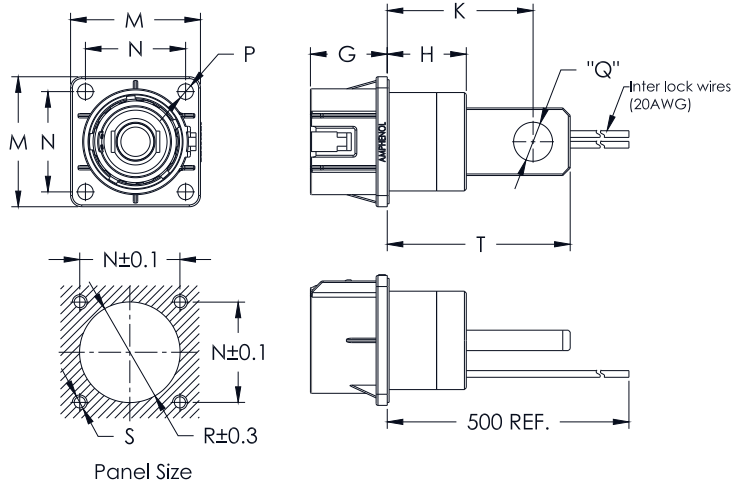
Amphenol

PowerLok™ 1 POS Products

PowerLok™ 1 POS Receptacle



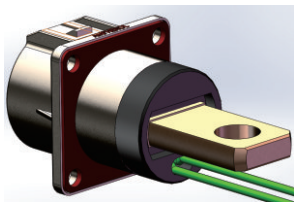
1 POS Receptacle



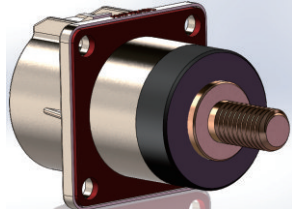
PowerLok™ 1POS Receptacle Parameter

Series	PowerLok™ Receptacle Size									
	G (mm)	H (mm)	K (mm)	M (mm)	N (mm)	P (mm)	Q (mm)	R (mm)	S (mm)	T (mm)
120	18.0	13.0	25.5	28.0	20.0	3.6	TBD	Φ 20.5	M3	31.5
300	20.7	21.3	39.3	35.0	27.0	4.2		Φ 27.5	M4	49.3
500	27.2	25.0	46.0	43.0	33.5	4.3		Φ 35.6	M4	56.0

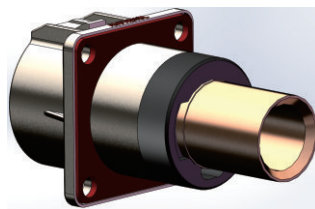
PowerLok™ 1 POS Receptacle Termination Type



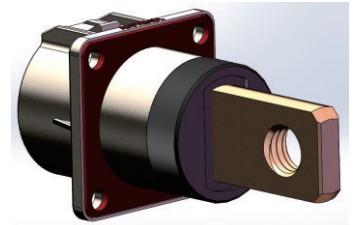
1 POS Receptacle (Busbar Lug)



1 POS Receptacle (Thread Pin)



1 POS Receptacle (Tubular Lug)



1 POS Receptacle (90 Degree Busbar Lug)

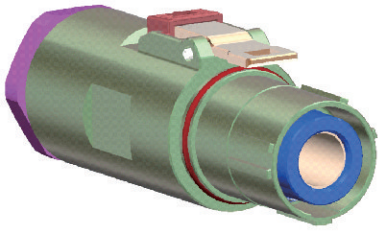
Ordering Example

Powerlok™											PL	00	X	-	300	-	10		M10
(A) Connector Type	:	1 POS Receptacle																	
(B) Polarization & Color	:	1 POS Key "X", Orange																	
(C) Series	:	300 Series																	
(D) Termination Type	:	Lug																	
(E) Termination Size	:	Screw Hole, M10																	

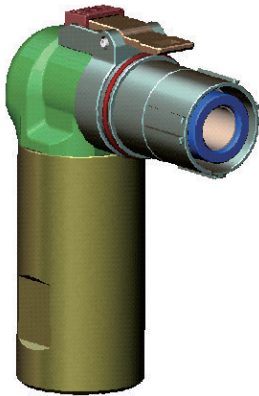
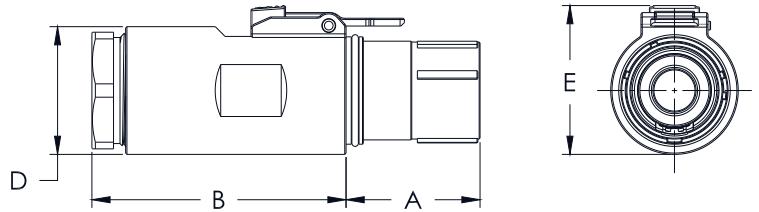
Amphenol

PowerLok™ 1 POS Products

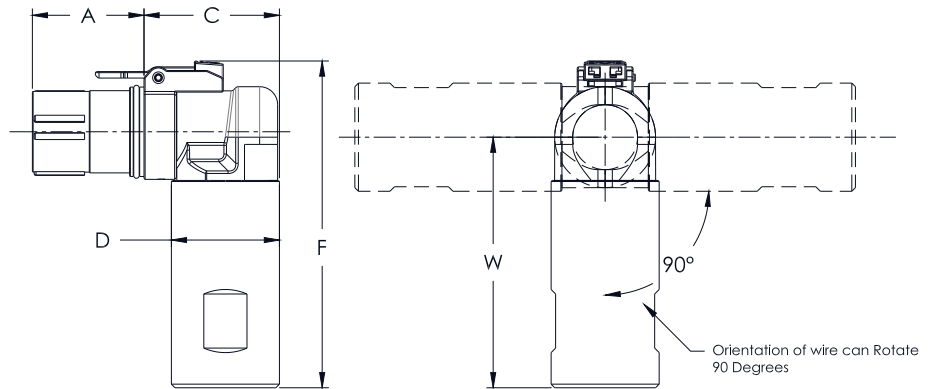
PowerLok™ 1POS Plug Connector



1 POS Plug Straight



1 POS Plug Right Angle



PowerLok™ 1POS Plug Connector Parameter

Series	PowerLok™ 1POS Plug Connector Size						
	A (mm)	B (mm)	C (mm)	D (mm)	E (mm)	F (mm)	W (mm)
120	22.5	45.0	30.0	Φ 18.0	24.8	69.3	53.5
300	31.0	58.8	37.6	Φ 29.5	34.4	90.6	71.0

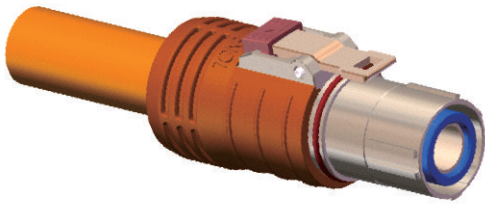
Ordering Example

Powerlok™	PL	18	X	-	300	-	70
(A) Connector Type	: Plug Connector, Straight						
(B) Polarization & Color	: 1POS Key "X", Orange						
(C) Series	: 300						
(D) Cable Size	: 70mm ²						

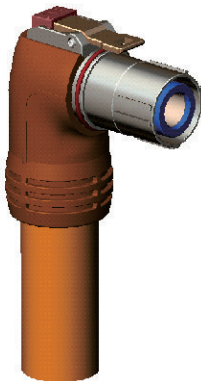
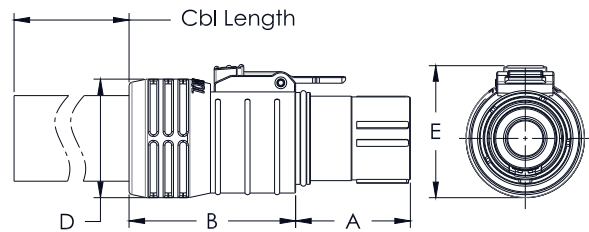
Amphenol

PowerLok™ 1 POS Products

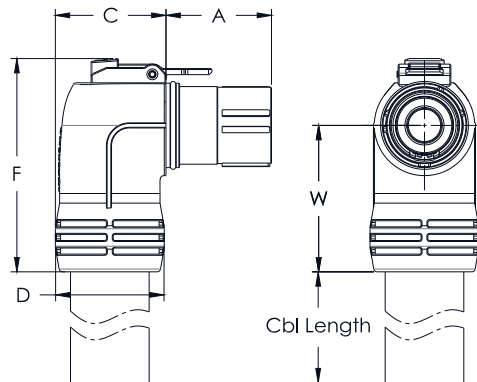
PowerLok™ 1POS Overmolded Plug



1 POS Overmolded Plug Straight



1 POS Overmolded Plug Right Angle



PowerLok™ 1 POS Overmolded Plug Parameter

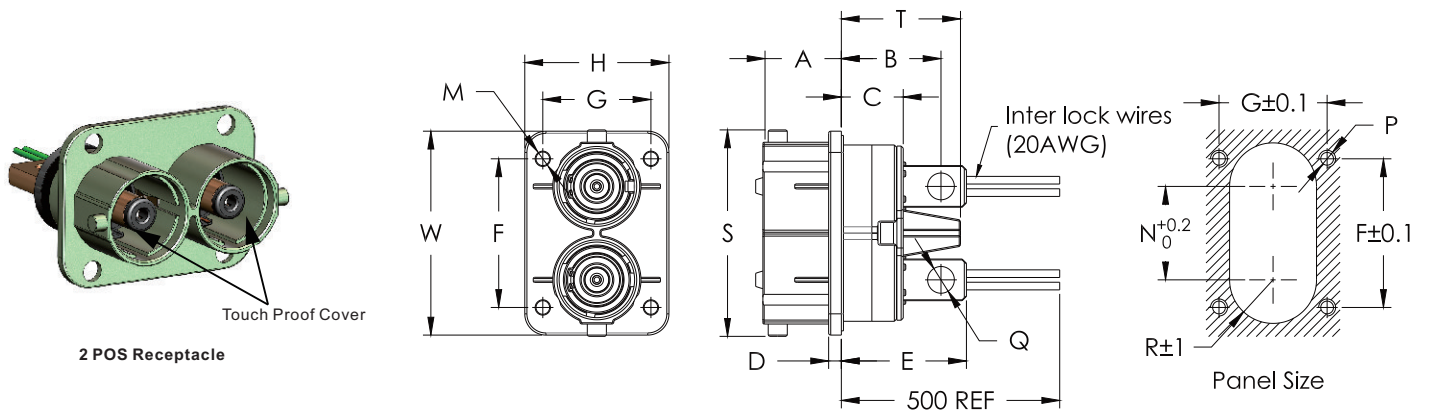
Series	PowerLok™ 1POS Overmolded Plug Size							Cable Length
	A (mm)	B (mm)	C (mm)	D (mm)	E (mm)	F (mm)	W (mm)	
120	22.5	39.0	25.3	Φ 24.6	28.5	50.8	35.0	TBD
300	31.0	45.0	32.5	Φ 32.0	35.6	62.6	43.0	
500	41.1	52.0	43.0	Φ 40.0	43.6	78.6	55.0	

Ordering Example

Powerlok™						PL	20	X	-	300	-	70
(A)Connector Type	:	Overmolded Plug, Right Angle										
(B)Polarization & Color	:	1POS Key "X", Orange										
(C)Series	:	300										
(D)Cable Size	:	70mm ²										

PowerLok™ 2 POS Products

PowerLok™ 2POS Receptacle



PowerLok™ 2 POS Receptacle Parameter

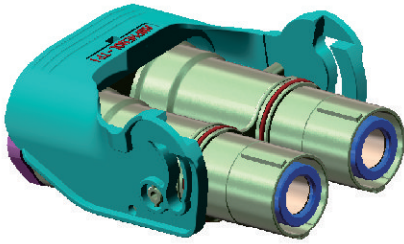
Series	PowerLok™ 2POS Receptacle Size															
	A (mm)	B (mm)	C (mm)	D (mm)	E (mm)	F (mm)	G (mm)	H (mm)	M (mm)	N (mm)	P	S (mm)	T (mm)	W (mm)	R (mm)	Q
120	18.0	23.5	14.6	3.0	29.5	35.0	25.5	34.0	Φ 3.6	22.0	M3	48.6	27.8	48.0	10.3	TBD
300	22.0	35.0	20.7	3.0	43.0	45.0	38.0	48.0	Φ 6.2	30.0	M6	65.4	44.7	65.0	13.8	

Ordering Example

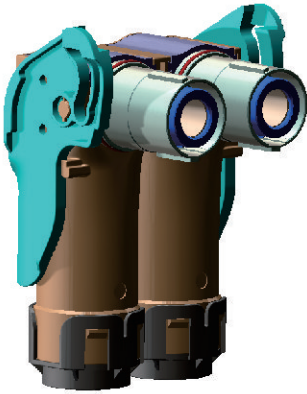
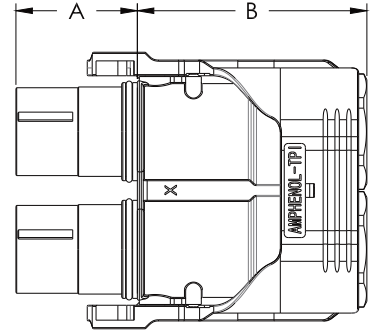
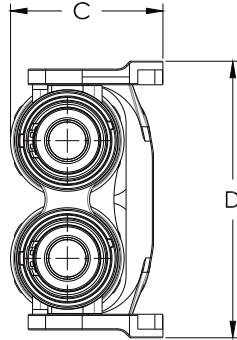
Powerlok™	PL	08	2X	- 300	- 10	M10
(A) Connector Type	: Receptacle					
(B) Polarization & Color	: 2 POS Key "X", Orange					
(C) Series	: 300					
(D) Termination Type	: Lug					
(E) Stud Size	: Screw Hole, M10					

PowerLok™ 2 POS Products

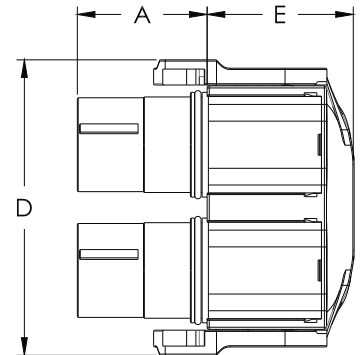
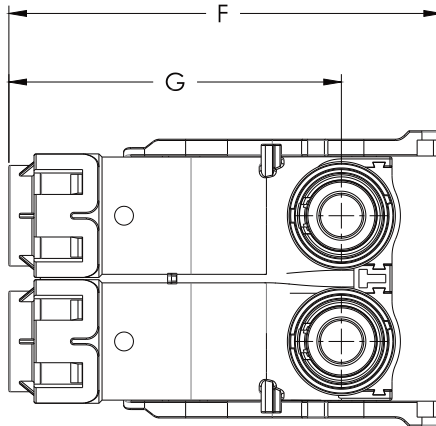
PowerLok™ 2POS Plug Connector



2 POS Plug Straight



2 POS Plug Right Angle



PowerLok™ 2POS Plug Connector Parameter

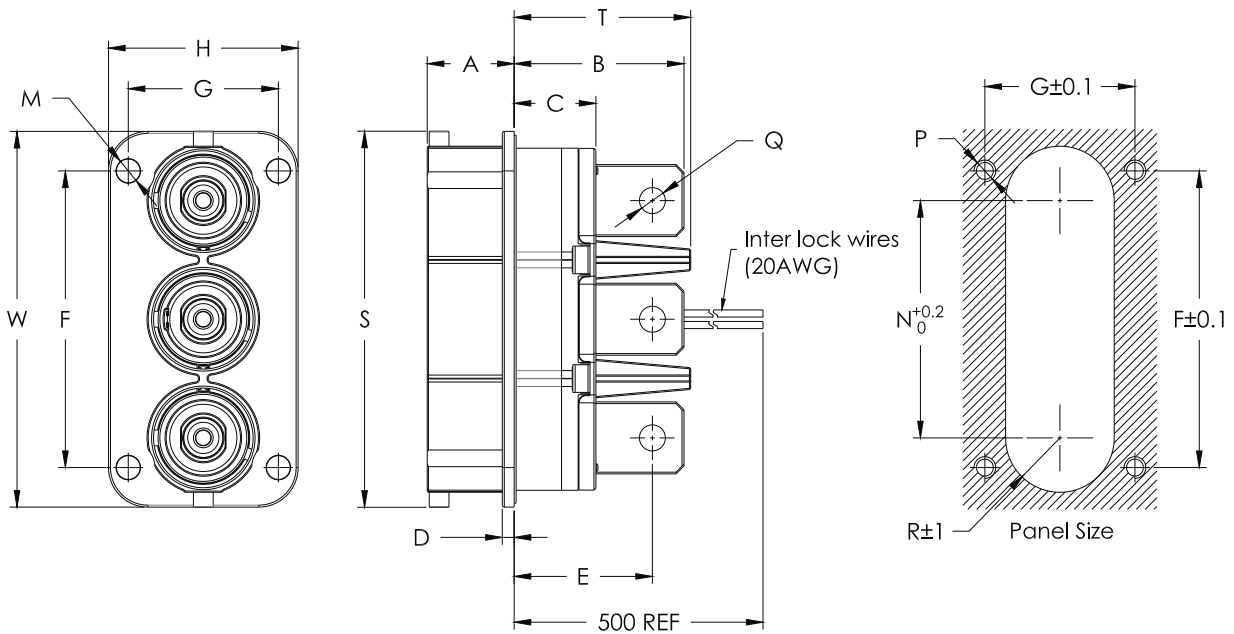
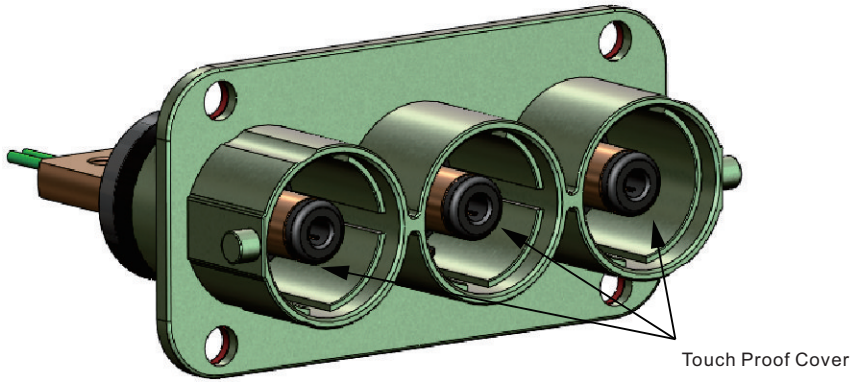
Series	PowerLok™ 2POS Plug Connector Size						
	A (mm)	B (mm)	C (mm)	D (mm)	E (mm)	F (mm)	G (mm)
120	22.5	51.0	29.7	51.5	31.2	64.0	43.0
300	31.0	58.6	38.8	70.5	34.9	103.3	79.4

Ordering Example

Powerlok™	PL	18	2X	-	300	-70
(A) Connector Type	: Plug Connector, Straight					
(B) Polarization & Color	: 2 POS Key "X"					
(C) Series	: 300					
(D) Cable Size	: 70mm ²					

PowerLok™ 3 POS Products

PowerLok™ 3POS Receptacle



PowerLok™ 3 POS Receptacle Parameter

Series	PowerLok™ 3POS Receptacle Size															
	A (mm)	B (mm)	C (mm)	D (mm)	E (mm)	F (mm)	G (mm)	H (mm)	M (mm)	N (mm)	P	S (mm)	T (mm)	W (mm)	R (mm)	Q
300	22.0	43.0	21.2	3.0	35.0	75.0	38.0	48.0	Φ6.2	60.0	M6	95.1	44.7	95.0	13.8	TBD

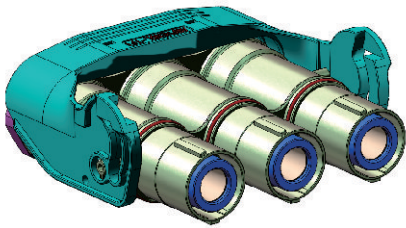
Ordering Example

Powerlok™	PL	08	3X	-	300	-	10	M10
(A) Connector Type	: Receptacle							
(B) Polarization & Color	: 3 POS Key "X"							
(C) Series	: 300							
(D) Termination Type	: Lug							
(E) Stud Size	: Screw Hole, M10							

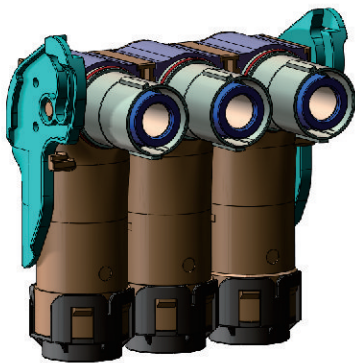
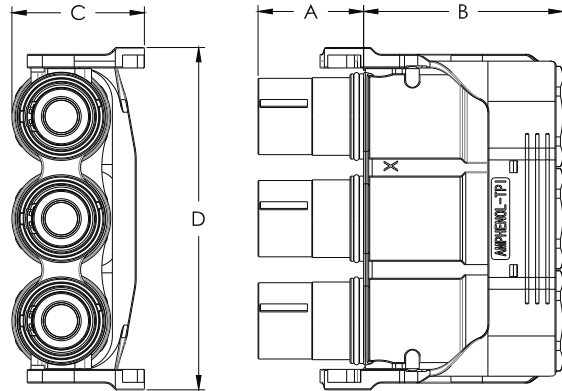
Amphenol

PowerLok™ 3 POS Products

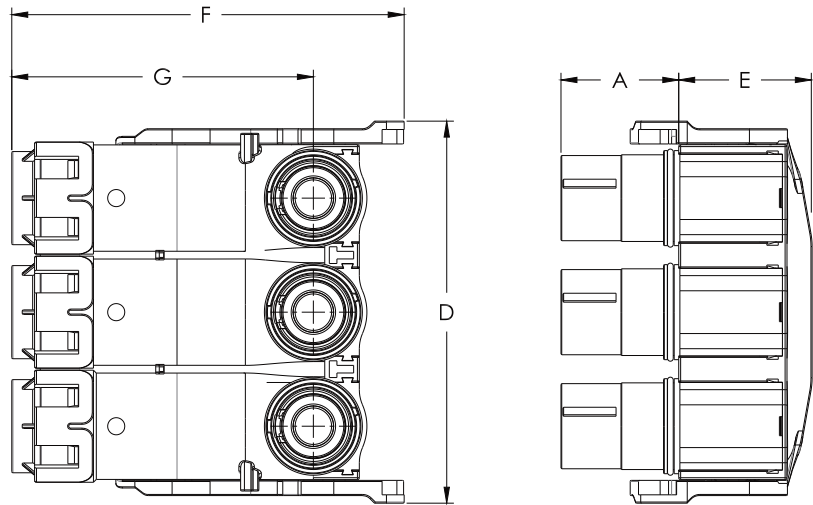
PowerLok™ 3POS Plug Connector



3 POS Plug Straight



3 POS Plug Right Angle



PowerLok™ 3POS Plug Connector Parameter

Series	PowerLok™ 3POS Plug Shielding Parameter						
	A (mm)	B (mm)	C (mm)	D (mm)	E (mm)	F (mm)	G (mm)
300	31.0	58.6	38.9	100.5	34.9	103.3	79.4

Ordering Example

Powerlok™	PL	18	3X	-	300	-	70
(A)Connector Type	: Plug Connector, Straight						
(B)Polarization & Color	: 3 POS Key "X"						
(C)Series	: 300						
(D)Cable Size	: 70mm ²						