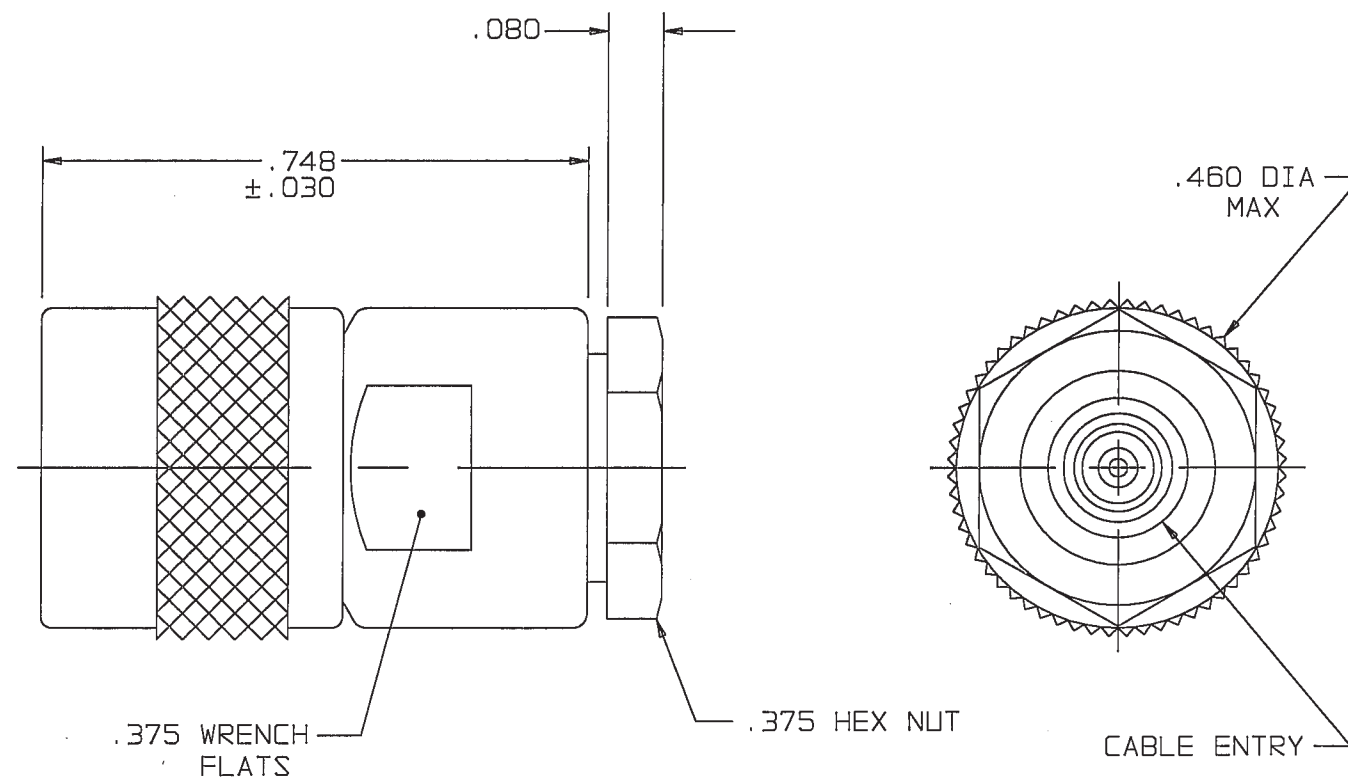


| DASH NO | CABLES ACCOMMODATED                                       | ASSEMBLE PER |
|---------|---|--------------|
| -23     | 275-3930, MICRODOT  | TAI-127      |
| -24     | 202-3934, MICRODOT  | TAI-125      |
| -24A    | 9530A5117, RAYCHEM  | TAI-127      |
| -27     | 202-3927, MICRODOT <sup>5</sup><br>73-1317911-1, SYLVANIA | TAI-125      |
| -29     | TWC-124-1A<br>TWC-78-1                                    | TAI-125      |
| -30     | 8441, BELDEN <sup>4</sup><br>761A, W.E.CO.                | TAI-125      |
| -32     | TRC-50-1  | TAI-127      |
| -33     | TRC-75-1  | TAI-127      |
| -43     | 250-4044/250-4045<br>293-3930 MICRODOT                    | TAI-174      |
| -45     | 10602, RAYCHEM  | TAI-125      |
| -47     | M17/176-00002 <sup>5</sup>                                | TAI-125      |
| -49     | TWAC-78-1F2 <sup>5</sup>                                  | TAI-125      |
| -56     | GC875GC1, GRUMMAN   | TAI-174      |
| -57     | GC875GB1, GRUMMAN   | TAI-174      |
| -58     | GC875TM24H, GRUMMAN                                       | TAI-125      |
| -55     | TWCP-124-3  | TAI-125      |

DATA CONTAINED IN THIS DOCUMENT IS PROPRIETARY TO TROMPETER ELECTRONICS INC. AND SHALL NOT BE DISCLOSED, COPIED OR USED FOR PROCUREMENT OR MANUFACTURE WITHOUT EXPRESS WRITTEN PERMISSION OF TROMPETER ELECTRONICS INC.

| REVISIONS |                       | 310-0036 | SH 1     |
|-----------|-----------------------|----------|----------|
| REV       | DESCRIPTION           | DATE     | APPROVED |
| V         | REVISED PER ECO 15485 | 2/14/04  | WJ       |



-29 SHOWN

**RED INDICATES ORIGINAL**

<sup>5</sup> .187 LG JACKET SLITS MAY BE REQUIRED FOR EASE OF ASSY

<sup>4</sup> NOT WRENCH CRIMP

3. CONCENTRIC TWINAX/TRIAX SUBMINIATURE 3-LUG TRS PLUG

2. FINISH: TFS-1A (NICKEL)

1. ALL DIM ARE IN INCHES

|  |              |  |         |                                  |  |
|--|--------------|--|---------|----------------------------------|--|
| INTERPRET DRAWING PER MIL-STD-100 DIMENSIONS ARE IN INCHES AND INCLUDE FINISH THICKNESS UNLESS OTHERWISE SPECIFIED |              | TOL: UNLESS SPECIFIED<br>.XX ±.01<br>.XXX ±.005<br>.XXXX ±.0010<br>ANGLES ± 0° 30' |         |                                  |  |
| 310-0026   | AAH          | DATE   | 6-10-04 |                                  |  |
| 305-0374   | CHECKED      | DATE   | 6-10-04 | SIZE CAGE CODE DRAWING NO. REV.  |  |
| 3-0040   | QUALITY      | DATE   | 6/14/04 | B 14949 310-0036 V               |  |
| 3-0029   | MANUF        | DATE   | 6/14/04 | SCALE 4/1 DATE: 6/20/75 SHEET 1C |  |
| 205-0029   | APPROVED     | DATE   | 6/14/04 | DO NOT SCALE DWG                 |  |
| 1-0451   | CAD FILE NO. | 310-0036V  |         |                                  |  |
| NEXT ASSY  |              |  |         |                                  |  |