

DISK # DWG SIZE DATA CONTAINED IN THIS DOCUMENT IS PROPRIETARY TO TROMPETER ELECTRONICS INC. AND SHALL NOT BE DISCLOSED, COPIED OR USED FOR PROCUREMENT OR MANUFACTURE WITHOUT EXPRESS WRITTEN PERMISSION.

REVISONS			310-0067	SH 1	
REV	EO	DESCRIPTION	DWN	APPROVED	DATE
F	10054	PICTORIALLY CHANGED 1.00 FLARED SEALING SLEEVE TO STRAIGHT (1.25) LONG SEALING SLEEVE; GENERAL UPDATE	DKC	<i>DKC</i>	12/13/92

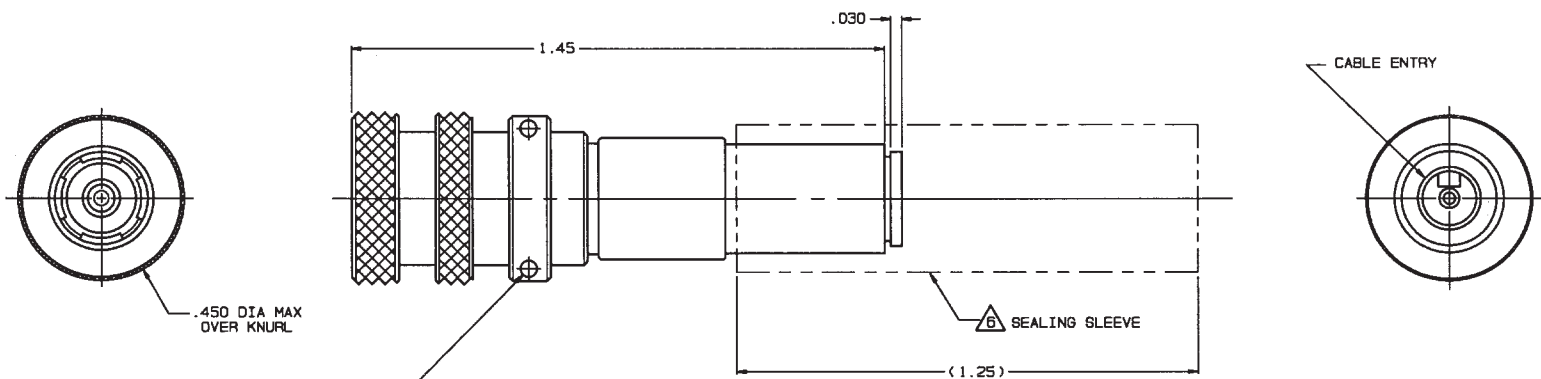
TABLE 1

DASH NO	MODEL NO	CENTER CONTACT/INTMD CONTACT TYPE
-1	PL3455AC P	SOCKET/PIN
-2	PL3455AC S	PIN/SOCKET

TABLE 2

CABLE GROUP NO	CABLES ACCOMMODATED	ASSEMBLE PER	
-201	M17/176-00002	TAI-162	
-202	TWC-78-1, TROMPETER		
-203	TWC-124-1A, TROMPETER		
-204	10602, RAYCHEM		
-205	TWAC-78-1F2, TROMPETER		
-206	782600130, RAYCHEM		
-208	202-3927, MICRODOT		
-209	202-3942, MICRODOT		
-212	2524E0114, RAYCHEM		
-217	GC875TM24H, GRUMMAN		
-218	EPD22188B, RAYCHEM		
-219	2526D1114, RAYCHEM		
-220	GC875RR1, GRUMMAN		
-221	10614, RAYCHEM		
-222	10613, RAYCHEM		
-223	HMS2-1149, HUGHES		
-303	7528A5314, RAYCHEM		TAI-190

INCH	MM
.002	0.05
.005	0.13
.030	0.76
.045	1.14
.255	6.48
.450	11.43
1.25	31.75
1.45	36.83



△ SEALING SLEEVE & CRIMP BUSHING SUPPLIED LOOSE WITH EACH CONNECTOR; EXCEPT SEALING SLEEVE NOT USED ON -205, -208 & -223

.045 ± .002 DIA SAFETY WIRE HOLES 2 PLACES

-1 -202 SHOWN



5. EXAMPLE OF COMPLETE MODEL NO:
 PL3455AC P -201
 BASIC MODEL NO | CABLE GROUP NO (SEE TABLE 2)
 | CENTER & INTERMEDIATE CONTACT TYPE (SEE TABLE 1)

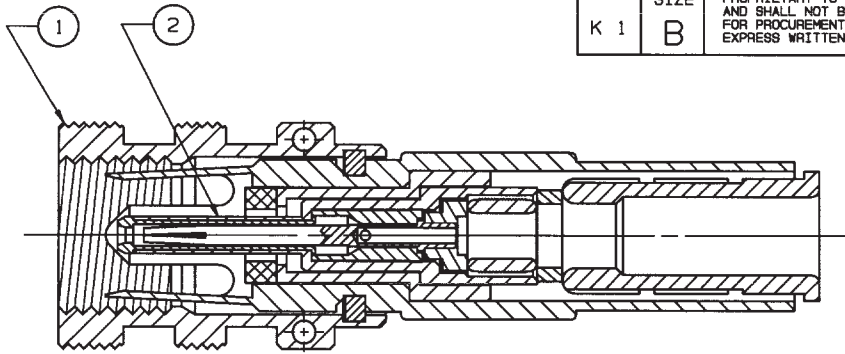
4. EXAMPLE OF COMPLETE PART NO:
 310-0067 - 1 - 201
 BASIC PART NO | DASH NO (SEE TABLE 1)
 | CABLE GROUP NO (SEE TABLE 2)

3. CONCENTRIC TWINAX 4 PIECE ASSY, FULL CRIMP CABLE PLUG, SOCKET CENTER CONTACT AND PIN INTERMEDIATE CONTACT OR PIN CENTER CONTACT AND SOCKET INTERMEDIATE CONTACT
2. TFS-1U (500 HRS SALT SPRAY; NICKEL)
1. ALL DIM ARE IN INCHES

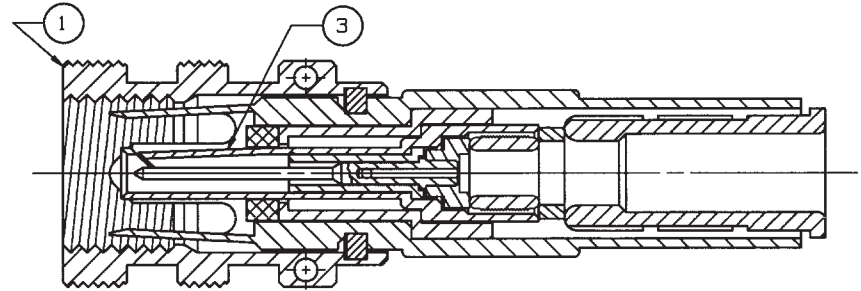
QTY	DESCRIPTION	PART NUMBER	ITEM
TOL UNLESS SPECIFIED .XX ± .03 .XXX ± .005 .XXXX ± ANGLES:	TROMPETER RF connectivity	PL3455ACP/S	
DWN DKC 12-3-92	MATERIAL	CODE IDENT 14949	DRAWING NO. 310-0067
CHK <i>DKC</i>			REV F
ENGR	APPR <i>DKC</i>	SCALE 4/1	DATE 10-7-87
NEXT ASSY	APPR <i>DKC</i>	SCALE 4/1	DATE 10-7-87
			SHEET 1 OF 2

RED INDICATES ORIGINAL

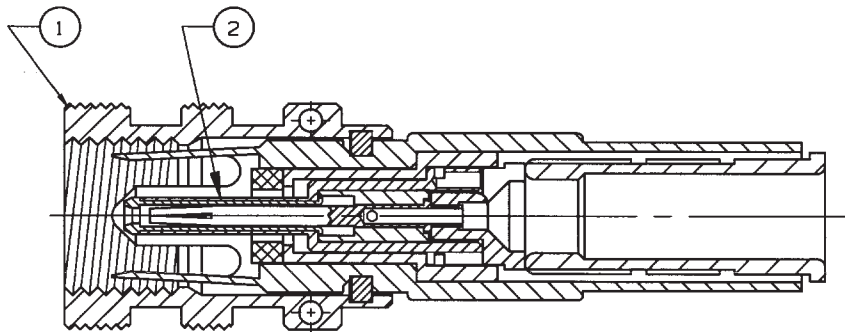
DISK # K 1	DWG SIZE B	DATA CONTAINED IN THIS DOCUMENT IS PROPRIETARY TO TROMPETER ELECTRONICS INC. AND SHALL NOT BE DISCLOSED, COPIED OR USED FOR PROCUREMENT OR MANUFACTURE WITHOUT EXPRESS WRITTEN PERMISSION.	REVISIONS			310-0067		SH 2
			REV	EO	DESCRIPTION	DWN	APPROVED	DATE



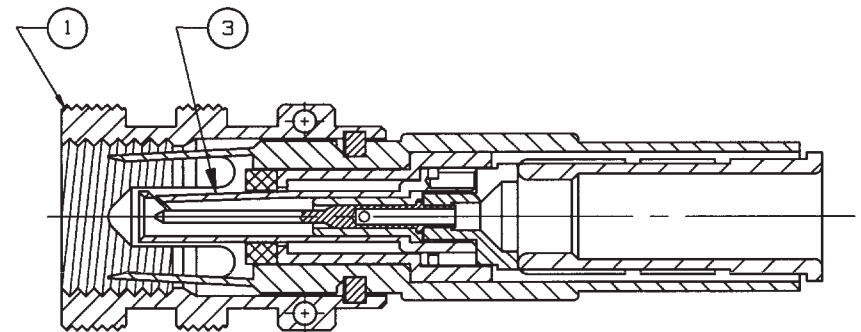
-1-303 SHOWN



-2-303 SHOWN



-1-221 SHOWN



-2-221 SHOWN

1 DASH NO SAME AS CABLE GROUP NO

1	SP450AC - 1			8-2496-	1		3
1	PS450AC - 1			8-2495-	1		2
1	1	BODY ASSY. PL3455AC - 1		8-2554-	1		1
		DESCRIPTION		PART NUMBER			ITEM
-2	-1	TOL UNLESS SPECIFIED .XX ± .XXX ± .XXXX ± ANGLES ±				PL3455ACP/S	
DWN	DKC	12-3-92	MATERIAL	CODE IDENT	DRAWING NO.		REV
CHK	DKG	12/4/92		14949	310-0067		F
ENGR							
APPR	KJ	12/29/92	SCALE 4/1	DATE 10-7-87		SHEET 2	

NEXT ASSY