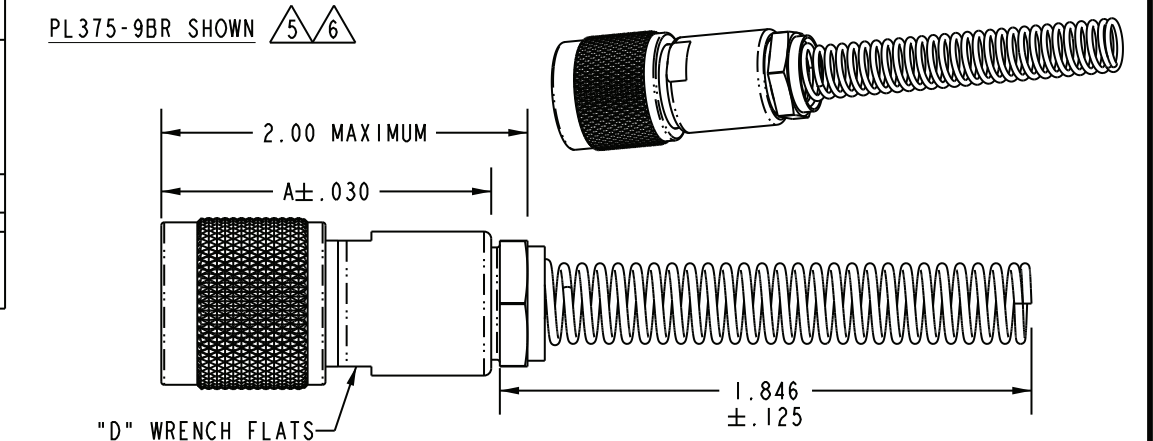
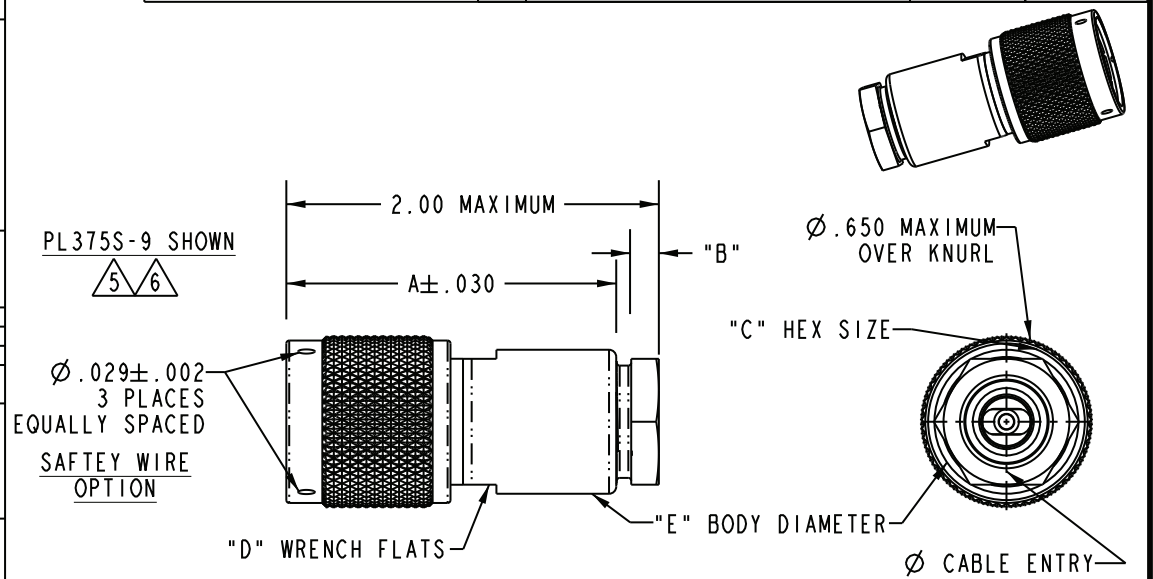


DASH NO	CABLES ACCOMMODATED	TABLE 1					CABLE ENTRY DIA	ASSEMBLE PER	CABLE TYPE		
		A DIM	B DIM	C FLATS	D FLATS	E DIA					
-7	TRC-50-2 TRC-75-2	1.165	.096	.438	.438	.500	.274	TAI-189	TRIAx		
-8	8227, BELDEN	1.740	.130	.625	.688	.750	.345	TAI-103	TWINAX		
-9	TWC-78-2 TWC-124-2	1.165	.096	.438	.438	.500	.285	TAI-102			
-A9 3	BL782, TIMES BL982, TIMES BL1242, TIMES									3	3
-10	RG-22 754E, AT&T									1.740	.130
-11	760A, AT&T	.362	TAI-129								
-12	16PEVL, AT&T VI-AL, GENERAL			.352	TAI-165						
-13	TRF-59, TIMES	.490	TAI-129								
-13A	8232, BELDEN			.183	TAI-189						
-14	8233, BELDEN	.191	TAI-102								
-23	250-3884, MICRODOT			.200	TAI-189						
-24	202-3934, MICRODOT	.285	TAI-102								
-24A	9530A5117, RAYCHEM			.191	TAI-189						
-25	T-43M, GENERAL	.145	TAI-102								
-25A	5021H5331, RAYCHEM			.191	TAI-189						
-26	7028A5518, RAYCHEM	.191	TAI-102								
-27	1191PSJ2619EN, WOVEN 202-3927, MICRODOT 202-3942, MICRODOT			.235	TAI-189						
-29	TWC-78-1/TWC-124-1A	.191	TAI-189								
-30	761A, AT&T 8441, BELDEN			.217	TAI-189						
-32	TRC-50-1	.300	TAI-189								
-33	TRC-75-1			.200	TAI-102						
-42	21-204, ESSEX 4463, CONSOLIDATED	.183	TAI-102								
-43	250-4044/250-4045 293-3930, MICRODOT			.475	TAI-103						
-45	M27500-22TE2114 1100-66F, STANDARD	.184	TAI-102								
-46	9860, BELDEN			.132	TAI-103						
-47	M177176-00002	.323	TAI-103								
-49	TWAC-78-1F2			.250	TAI-102						
-54	89207, BELDEN	.191	TAI-189								
-55	89272, BELDEN			.198	TAI-102						
-56	GC875GCI, GRUMMAN	.217	TAI-189								
-57	GC875GB1, GRUMMAN			.183	TAI-189						
-58	GC875TM24H, GRUMMAN	.183	TAI-189								
-59	GC875LNI, GRUMMAN			.183	TAI-189						
-60	M177177, THERMATICS	.183	TAI-189								
-64	380-10045, BOEING 7528A5314, RAYCHEM			.183	TAI-189						

REV		DESCRIPTIONS	DATE	APPROVED
AD	ECO 52460		6/18/10	CSM



- 6 IF SAFETY WIRE TYPE & BEND RELIEF SPRING RECD ADD SUFFIX "SBR" TO MODEL NO (NOT AVAILABLE WITH CABLE GROUPS -8, -10, -11, -12, -13, -13A, -14, -46, & -54)
  - 5 IF BEND RELIEF SPRING RECD (SEE FIG 2) ADD SUFFIX "BR" TO MODEL NO (NOT AVAILABLE WITH CABLE GROUPS -8, -10, -11, -12, -13, -13A, -14, -46, & -54)
  - 4 IF SAFETY WIRE TYPE RECD ADD SUFFIX "S" TO MODEL NO (PL375S)
  - 3 CLAMP NUT OMITTED
  - 2 CONCENTRIC TWINAX/TRIAx TRT CABLE PLUG
  - 1 FINISH: TFS-1A (NICKEL)
- NOTES: UNLESS OTHERWISE SPECIFIED.

7. EXAMPLE OF COMPLETE MODEL NO:  
**PL375 S -7 BR**

BASIC MODEL NO

BEND RELIEF (OMIT IF NOT RECD)

SAFETY WIRE TYPE (OMIT IF NOT RECD)

DASH NO (CABLE GROUP, TABLE 1)

INTERPRET DRAWING PER MIL-STD-100. DIMENSIONS ARE IN INCHES AND INCLUDE FINISH THICKNESS UNLESS OTHERWISE SPECIFIED.		TOL: UNLESS SPECIFIED. .XX ± .02 .XXX ± .010 .XXXX ± .0010 ANGLE ± 1° 00' CRITICAL		Connectivity Solutions 299 Johnson Ave. Ste. 100 Waseca, MN 56093 1-800-247-8256	
DRN	BPK	7/29/11		MATERIAL:	
CHK	CSM	8/1/11		FINISH:	
QUALITY			TITLE: PL375 / PL375S PL375BR / PL375SBR		
MANUF			SIZE	CAGE CODE	DRAWING NO.
APPROVED			△	14949	315-0011
PROF TITLE NO.	315-0011		SCALE	1/1	DATE
DO NOT SCALE DWG			5/23/73		SHEET
			1 OF 2		REV.
					AD