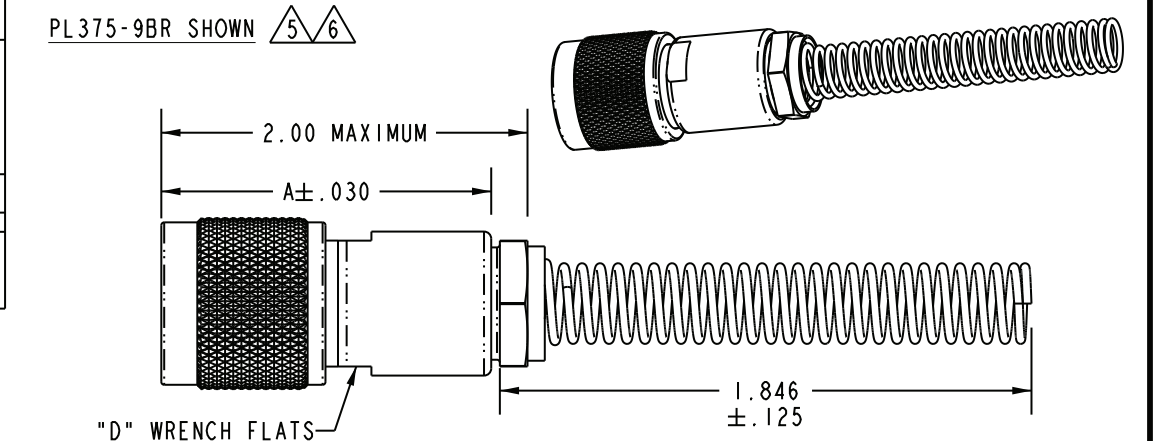
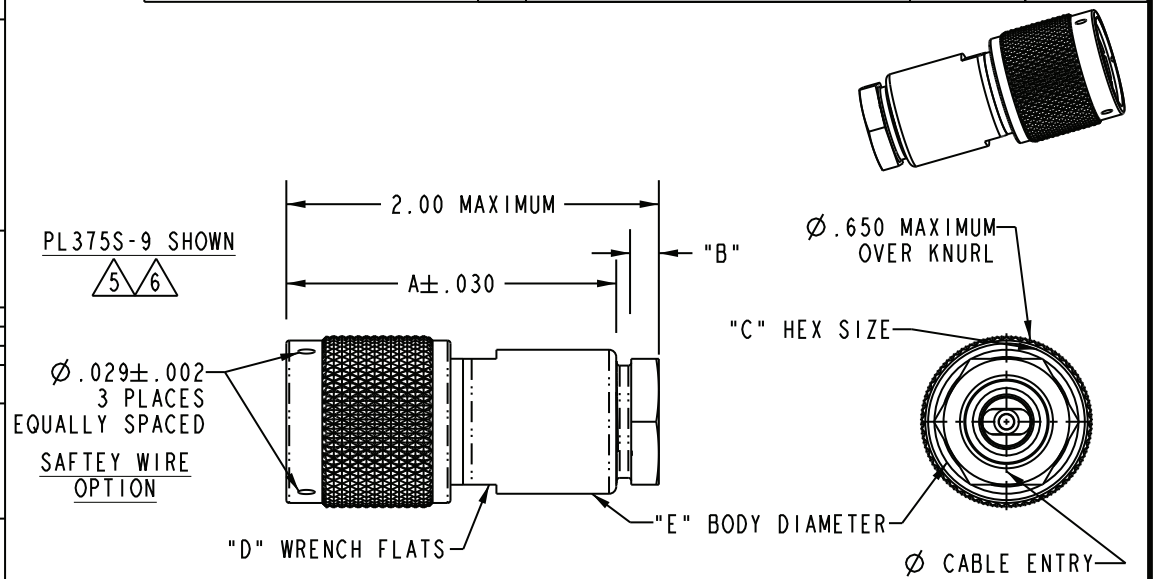


DASH NO	CABLES ACCOMMODATED	TABLE 1					CABLE ENTRY DIA	ASSEMBLE PER	CABLE TYPE		
		A DIM	B DIM	C FLATS	D FLATS	E DIA					
-7	TRC-50-2 TRC-75-2	1.165	.096	.438	.438	.500	.274	TAI-189	TRIAx		
-8	8227, BELDEN	1.740	.130	.625	.688	.750	.345	TAI-103	TWINAX		
-9	TWC-78-2 TWC-124-2	1.165	.096	.438	.438	.500	.285	TAI-102			
-A9 3	BL782, TIMES BL982, TIMES BL1242, TIMES									3	3
-10	RG-22 754E, AT&T									1.740	.130
-11	760A, AT&T	.362	.352	.490	.183	TAI-128					
-12	16PEVL, AT&T VI-AL, GENERAL						.485	.362		.352	.490
-13	TRF-59, TIMES	.191	.191	.200	.191	TAI-165					
-13A	8232, BELDEN						.191	.191		.200	.191
-14	8233, BELDEN	.191	.191	.200	.191	TAI-189					
-23	250-3884, MICRODOT						.191	.191		.200	.191
-24	202-3934, MICRODOT	.191	.191	.200	.191	TAI-189					
-24A	9530A5117, RAYCHEM						.191	.191	.200	.191	TAI-189
-25	T-43M, GENERAL	.191	.191	.200	.191	TAI-189					
-25A	5021H5331, RAYCHEM						.191	.191	.200	.191	TAI-189
-26	7028A5518, RAYCHEM	.191	.191	.200	.191	TAI-189					
-27	1191PSJ2619EN, WOVEN 202-3927, MICRODOT 202-3942, MICRODOT						.191	.191	.200	.191	TAI-102
-29	TWC-78-1/TWC-124-1A	.191	.191	.200	.191	TAI-102					
-30	761A, AT&T 8441, BELDEN						.191	.191	.200	.191	TAI-102
-32	TRC-50-1	.191	.191	.200	.191	TAI-102					
-33	TRC-75-1						.191	.191	.200	.191	TAI-102
-42	21-204, ESSEX 4463, CONSOLIDATED	.191	.191	.200	.191	TAI-189					
-43	250-4044/250-4045 293-3930, MICRODOT						.191	.191	.200	.191	TAI-189
-45	M27500-22TE2114 1100-66F, STANDARD	.191	.191	.200	.191	TAI-102					
-46	9860, BELDEN						.191	.191	.200	.191	TAI-102
-47	M177176-00002	.191	.191	.200	.191	TAI-102					
-49	TWAC-78-1F2						.191	.191	.200	.191	TAI-102
-54	89207, BELDEN	.191	.191	.200	.191	TAI-102					
-55	89272, BELDEN						.191	.191	.200	.191	TAI-102
-56	GC875GCI, GRUMMAN	.191	.191	.200	.191	TAI-189					
-57	GC875GB1, GRUMMAN						.191	.191	.200	.191	TAI-189
-58	GC875TM24H, GRUMMAN	.191	.191	.200	.191	TAI-102					
-59	GC875LNI, GRUMMAN						.191	.191	.200	.191	TAI-102
-60	M177177, THERMATICS	.191	.191	.200	.191	TAI-189					
-64	380-10045, BOEING 7528A5314, RAYCHEM						.191	.191	.200	.191	TAI-189

REV		DESCRIPTIONS	DATE	APPROVED
AD	ECO 52460		6/18/10	CSM



- 6 IF SAFETY WIRE TYPE & BEND RELIEF SPRING RECD ADD SUFFIX "SBR" TO MODEL NO (NOT AVAILABLE WITH CABLE GROUPS -8, -10, -11, -12, -13, -13A, -14, -46, & -54)
 - 5 IF BEND RELIEF SPRING RECD (SEE FIG 2) ADD SUFFIX "BR" TO MODEL NO (NOT AVAILABLE WITH CABLE GROUPS -8, -10, -11, -12, -13, -13A, -14, -46, & -54)
 - 4 IF SAFETY WIRE TYPE RECD ADD SUFFIX "S" TO MODEL NO (PL375S)
 - 3 CLAMP NUT OMITTED
 - 2 CONCENTRIC TWINAX/TRIAX TRT CABLE PLUG
 - 1 FINISH: TFS-1A (NICKEL)
- NOTES: UNLESS OTHERWISE SPECIFIED.

7. EXAMPLE OF COMPLETE MODEL NO:
PL375 S -7 BR

BASIC MODEL NO

BEND RELIEF (OMIT IF NOT RECD)

SAFETY WIRE TYPE (OMIT IF NOT RECD)

DASH NO (CABLE GROUP, TABLE 1)

INTERPRET DRAWING PER MIL-STD-100. DIMENSIONS ARE IN INCHES AND INCLUDE FINISH THICKNESS UNLESS OTHERWISE SPECIFIED.		TOL: UNLESS SPECIFIED. .XX ± .02 .XXX ± .010 .XXXX ± .0010 ANGLE ± 1° 00' CRITICAL		Connectivity Solutions 299 Johnson Ave. Ste. 100 Waseca, MN 56093 1-800-247-8256	
DRN	BPK	7/29/11		MATERIAL:	
CHK	CSM	8/1/11		TITLE:	
QUALITY			PL375 / PL375S PL375BR / PL375SBR		
MANUF			FINISH:		
APPROVED			1		
PROF TITLE NO	315-0011		DO NOT SCALE DWG	SCALE	1/1
DATE	5/23/73		DRAWING NO.	315-0011	
SHEET	1 OF 2		REV.	AD	