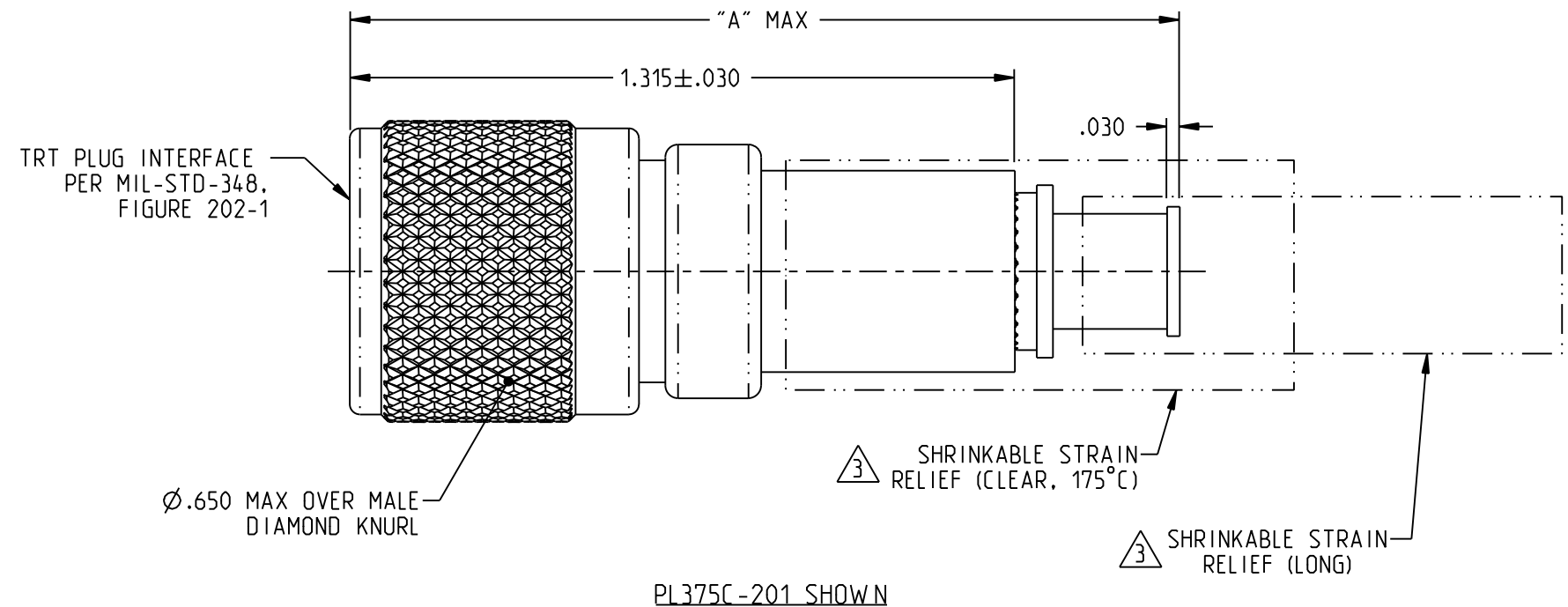
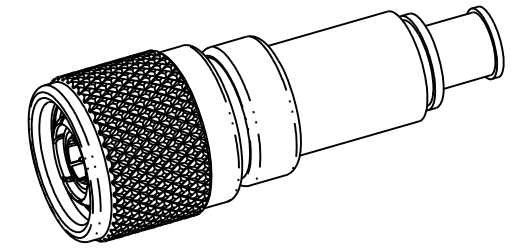


MODEL NUMBER	CABLES ACCOMMODATED	ASSEMBLE PER	"A" MAX
PL375C-201	M17/176-00002	TAI-166	1.72
PL375C-202	TWC-78-1		
PL375C-203	TWC-124-1A		
PL375C-204	10602, RAYCHEM		
PL375C-205	TWAC-78-1F2		
PL375C-206	7826D0130, RAYCHEM		
PL375C-207	83310, BELDEN		
PL375C-208	202-3927, MICRODOT		
PL375C-209	202-3942, MICRODOT		
PL375C-210	8451, BELDEN		
PL375C-211	202-3934, MICRODOT	TAI-138	1.46
PL375C-212	2524E0114, RAYCHEM		
PL375C-213	TWC-78-2		
PL375C-213-1U	TWC-78-2		
PL375C-214	TWC-124-2		
PL375C-215	BL982, TIMES	TAI-166	1.72
PL375C-216	BL1242, TIMES		
PL375C-217	GC875TM24H, GRUMMAN		
PL375C-218	EPD22188B, RAYCHEM		
PL375C-219	2526D1114, RAYCHEM		
PL375C-220	GC875RR1, GRUMMAN		
PL375C-221	10614, RAYCHEM		
PL375C-222	10613, RAYCHEM		
PL375C-223	HMS2-1149, HUGHES		
PL375C-224	TWCP-124-3		
PL375C-301	GC875GC1, GRUMMAN	TAI-168	1.70
PL375C-302	GC875GB1, GRUMMAN		
PL375C-303	7528A5314, RAYCHEM		
PL375C-305	M17/177-00001, THERMATICS	TAI-218	
PL375C-306	TRC-50-2 & M17/134-00002	TAI-168	
PL375C-307	TRC-75-1	TAI-218	
PL375C-308	TRC-75-2	TAI-168	
PL375C-309	TRC-50-1	TAI-168	



NOTES: UNLESS OTHERWISE SPECIFIED.

1. MATERIAL & FINISH:

- 1.1 BODY, CRIMP BUSHING & CRIMP RING: NICKEL PLATED BRASS
- 1.2 FINGER SPRING: NICKEL PLATED BERYLLIUM COPPER
- 1.3 INSULATOR & DIELECTRIC: PTFE (TEFLON)
- 1.4 INTERMEDIATE CONTACT: GOLD PLATED BERYLLIUM COPPER
- 1.5 CENTER CONTACT: GOLD PLATED BRASS
- 1.6 GASKET: SILICONE RUBBER

2. ELECTRICAL:

- 2.1 FREQUENCY (MAX): 500 MHz
- 2.2 IMPEDANCE: NON-CONSTANT

△ ONE (1) SHRINKABLE STRAIN RELIEF AND/OR SHRINKABLE SEALING SLEEVE SUPPLIED AS FOLLOWS:

- 3.1 CABLE GROUPS -201 THROUGH -210, -217 THROUGH -303, -305 & -307:  
1 SHRINKABLE STRAIN RELIEF (1.00 LONG)  
1 SHRINKABLE SEALING SLEEVE (1.25 LONG)
- 3.2 CABLE GROUPS -211 THROUGH -216 & -308:  
1 SHRINKABLE STRAIN RELIEF (1.75 LONG)

4. EXAMPLE OF COMPLETE MODEL NUMBER:

PL375C -XXX  
 └───┬───┬───  
 CABLE GROUP DASH NUMBER  
 BASE MODEL NUMBER

4.1. IF SAFETY WIRE TYPE IS REQUIRED ADD "S" SUFFIX TO BASE MODEL NUMBER (EXAMPLE: PL375CS-XXX).

		TROMPETER	
	RoHS2 2011/65/EU	Title: TRT CABLE PLUG, TOOL CRIMP	
NOTICE: The information in this drawing is PROPRIETARY and must not be used without the permission of Cinch Connectivity Solutions. It may contain data whose export is restricted. Verify status prior to exporting.		Model No. PL375C-XXX/PL375CS-XXX	Sheet 1 OF 1
UNLESS OTHERWISE SPECIFIED UNITS: INCH .XX ±.02 .XXX ±.010 ANGLES ±2°		Size B	Date 1/26/2022
INTERPRET DRAWING IN ACCORDANCE WITH ASME Y14.5-2018		DO NOT SCALE DRAWING	Date 1/26/2022