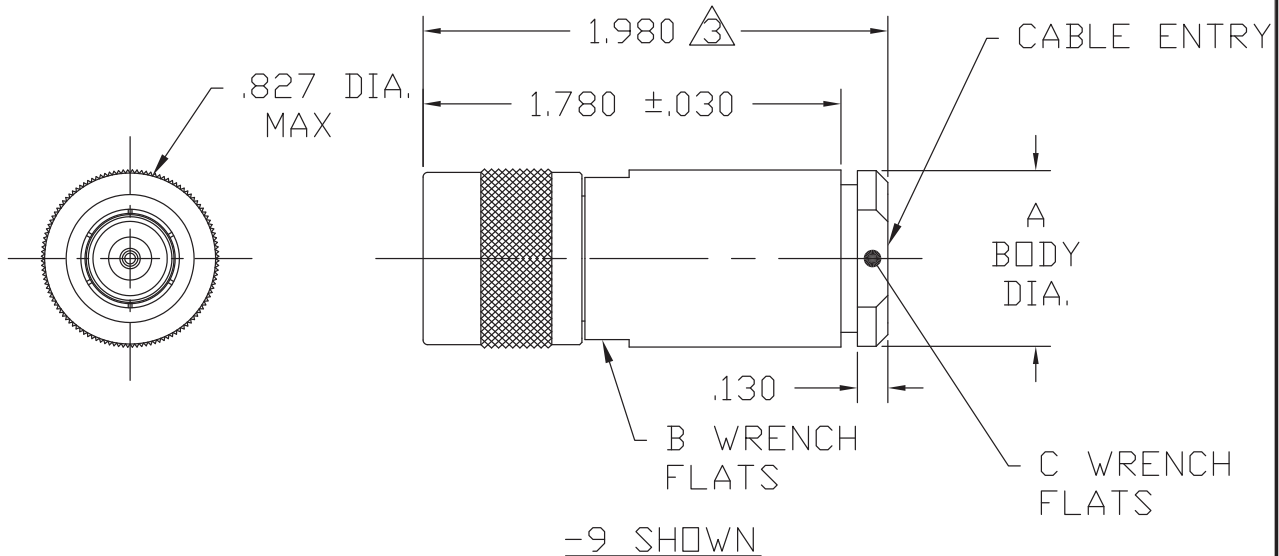


THE INFORMATION CONTAINED HEREON IS THE PROPERTY OF EMERSON NETWORK POWER, RECEIPT, POSSESSION OR TRANSMITTAL OF THIS DRAWING DOES NOT LICENSE OR IMPLY ANY RIGHT TO USE, SELL, PROTOTYPE OR MANUFACTURE FROM THIS INFORMATION. NO REPRODUCTIONS OR PUBLICATION OF THIS INFORMATION, IN WHOLE OR IN PART, SHALL BE MADE WITHOUT WRITTEN AUTHORIZATION FROM EMERSON NETWORK POWER.

DWG NO. 3-0103 SH 1

REVISIONS			
REV	DESCRIPTION	DATE	APPROVED
M	REVISED PER ECD 15097	6-24-03	WZ
N	REVISED PER ECD 52167	2/26/10	TONI KOHLER
P	REVISED PER ECD 53076	3/7/11	TONI KOHLER

DASH NO	CABLES ACCOMMODATED	A DIA	B FLATS	C FLATS	ASSEMBLE PER
-7	TRC-50-2/TRC-75-2	.750	.687	.625	TAI-175
-8	8227, BELDEN				TAI-116
-9	TWC-78-2, RG-108, TWC-124-2				TAI-131
-10	754E, W.E.CO., RG-22				TAI-175
-11	760A, W.E.CO.				TAI-116
-12	16PEVL, W.E.CO.				TAI-175
-13	TRF-59, TIMES				TAI-124
-13A	8232, BELDEN	.750	.687	.625	TAI-175
-14	21-529, ESSEX 8233, BELDEN				TAI-116
-14A	TRC-50-4A				TAI-175
-15	21-583, ESSEX				TAI-116
-16	21-950, ESSEX				TAI-175
-26	275-3962, MICRODOT				TAI-124
-29	TWC-124-1A				TAI-175
-32	TRC-50-1	.750	.687	.625	TAI-116
-33	TRC-75-1				TAI-116
-42	21-204, ESSEX				TAI-175
-46	9860, BELDEN				TAI-124
-47	M17/176-00002				TAI-175
-54	89207, BELDEN				TAI-116
-55	89272, BELDEN				TAI-175
-61	5012W5812, RAYCHEM	1.000	.937	.875	TAI-175
-62	7518A0811, RAYCHEM				



4. THREADED CONCENTRIC TWINAX/TRIAX "TTS" SERIES CABLE PLUG W/SOCKET CENTER CONTACT

3 DIM IS MAX WHEN ASSEMBLED TO CABLE

2. FINISH: TFS-1A (NICKEL)

1. ALL DIM ARE IN INCHES

SURFACE AREA (IN ²)	UNLESS OTHERWISE SPECIFIED DIMENSIONS ARE IN INCHES TOLERANCES ARE:		Connectivity Solutions	
	FRACTIONS ±	DECIMALS ±		
	SIGNATURES	DATE	PL380	
MATERIAL	DRAWN BY AAH	6-23-03		
	CHECKED BY TH	6-23-03	SIZE B	CAGE CODE 14949
FINISH	APPROVED BY BP	6-25-03	DWG NO. 3-0103	REV P
DO NOT SCALE DRAWING	APPROVED BY WZ	6-24-03	SCALE N/A	SHEET 1 OF 2