

| MODEL NUMBER | BAYONET SLEEVE | | | SLOTS | INTERMEDIATE CONTACT | CENTER CONTACT | TRK PLUG INTERFACE PER |
|----------------|----------------|------|------|-------|----------------------|----------------|------------------------|
| | "A" | "B" | "C" | | | | |
| PL455ACFLP-ZZZ | N/A - 4X 90° | | | 4 | PIN | SOCKET | SPC-09500-43-41 |
| PL455ACPP-ZZZ | 110° | 125° | 125° | 3 | | | |
| PL455ACRP-ZZZ | 125° | 125° | 110° | | | | |
| PL455ACWP-ZZZ | 125° | 110° | 125° | | | | |
| PL455ACFLS-ZZZ | N/A - 4X 90° | | | 4 | SOCKET | PIN | SPC-09500-43-40 |
| PL455ACPS-ZZZ | 110° | 125° | 125° | 3 | | | |
| PL455ACRS-ZZZ | 125° | 125° | 110° | | | | |
| PL455ACWS-ZZZ | 125° | 110° | 125° | | | | |



| MODEL NUMBER | CABLES ACCOMMODATED | "D" |
|----------------|------------------------|------|
| PL455ACXXY-201 | M17/176-00002 | .030 |
| PL455ACXXY-202 | TWC-78-1, TROMPETER | |
| PL455ACXXY-203 | TWC-124-1A, TROMPETER | |
| PL455ACXXY-204 | 10602, RAYCHEM | |
| PL455ACXXY-205 | TWAC-78-1F2, TROMPETER | |
| PL455ACXXY-206 | 782600130, RAYCHEM | .075 |
| PL455ACXXY-208 | 202-3927, MICRODOT | |
| PL455ACXXY-209 | 202-3942, MICRODOT | |
| PL455ACXXY-212 | 2524E0114, RAYCHEM | .030 |
| PL455ACXXY-217 | GC875TM24H, GRUMMAN | |
| PL455ACXXY-218 | EPD22188B, RAYCHEM | |
| PL455ACXXY-219 | 2526D1114, RAYCHEM | .075 |
| PL455ACXXY-220 | GC875RR1, GRUMMAN | |
| PL455ACXXY-221 | 10614, RAYCHEM | |
| PL455ACXXY-222 | 10613, RAYCHEM | .030 |
| PL455ACXXY-223 | HMS2-1149, HUGHES | |

NOTES: UNLESS OTHERWISE SPECIFIED.

1. MATERIAL & FINISH:

- 1.1 BODY, COUPLING SLEEVE & CRIMP BUSHING: NICKEL PLATED BRASS
- 1.2 INSULATOR: PTFE (TEFLON)
- 1.3 INTERMEDIATE CONTACT: GOLD PLATED BERYLLIUM COPPER
- 1.4 DIELECTRIC: PTFE (TEFLON)
- 1.5 CENTER CONTACT:
 - 1.5.1 PIN: GOLD PLATED BRASS
 - 1.5.2 SOCKET: GOLD PLATED BERYLLIUM COPPER
- 1.6 GASKET: SILICONE RUBBER

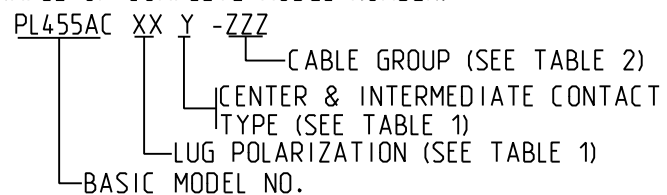
2. ELECTRICAL:

- 2.1 IMPEDANCE: NON-CONSTANT
- 2.2 SIGNALING: DIGITAL PER MIL-STD-1553

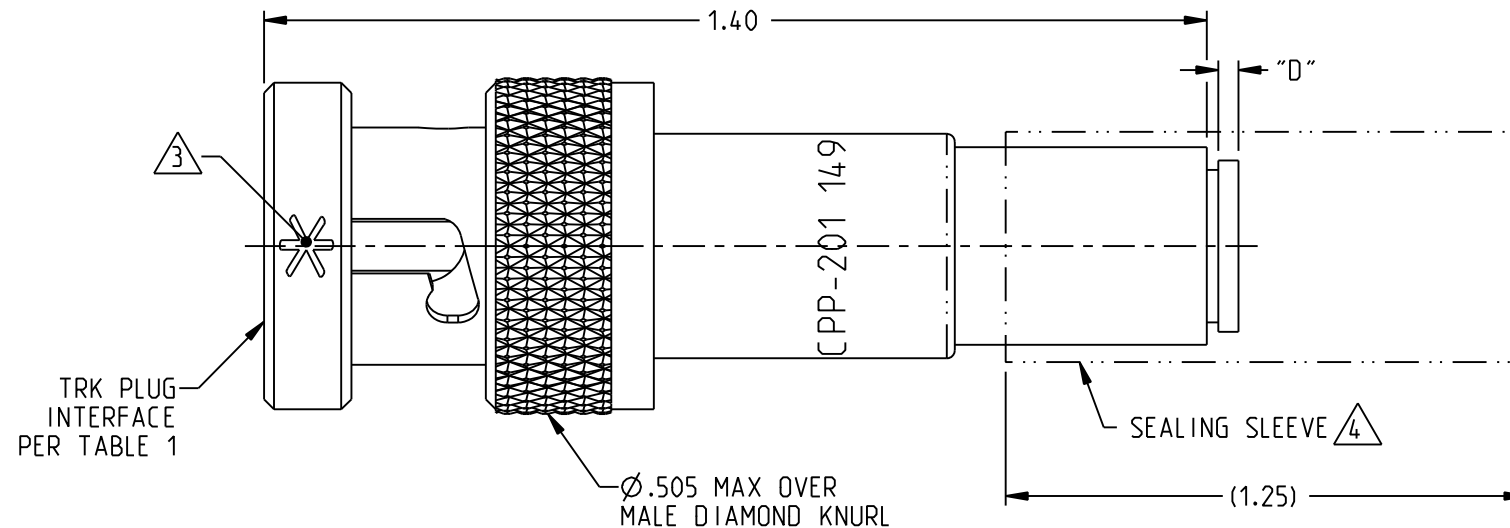
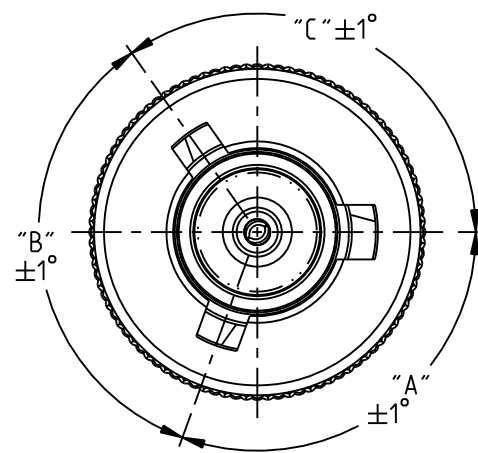
3. (.080) WIDE SLOT MARKED WITH AN ASTERISK ON THE O.D. OF 3-LUG BAYONET SLEEVES.

4. SEALING SLEEVE AND CRIMP BUSHING SUPPLIED LOOSE; NO SEALING SLEEVE SUPPLIED WITH -205 & -208

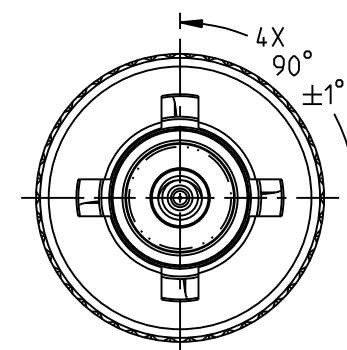
5. EXAMPLE OF COMPLETE MODEL NUMBER:



6. ASSEMBLE PER TAI-162.



PL455ACPP-201 SHOWN



PL455ACFLS-201 SHOWN

| | | | |
|--|---------------------|--|-------------------|
| | | TROMPETER | |
| | RoHS2 2011/65/EU | Title: TRK SERIES CABLE PLUG, TOOL CRIMP, PIN/SOCKET OR SOCKET/PIN | |
| NOTICE: The information on this drawing is PROPRIETARY and must not be used without the permission of Cinch Connectivity Solutions. It may contain data whose export is restricted. Verify status prior to exporting. INTERPRET DRAWING IN ACCORDANCE WITH ASME Y14.5-2018 | | Model No. PL455ACXXY-ZZZ | Date 4/29/2022 |
| .XX ±.02 .XXX ±.010 ANGLES ±2° | Size B | DO NOT SCALE DRAWING | Sheet 1 OF 1 |