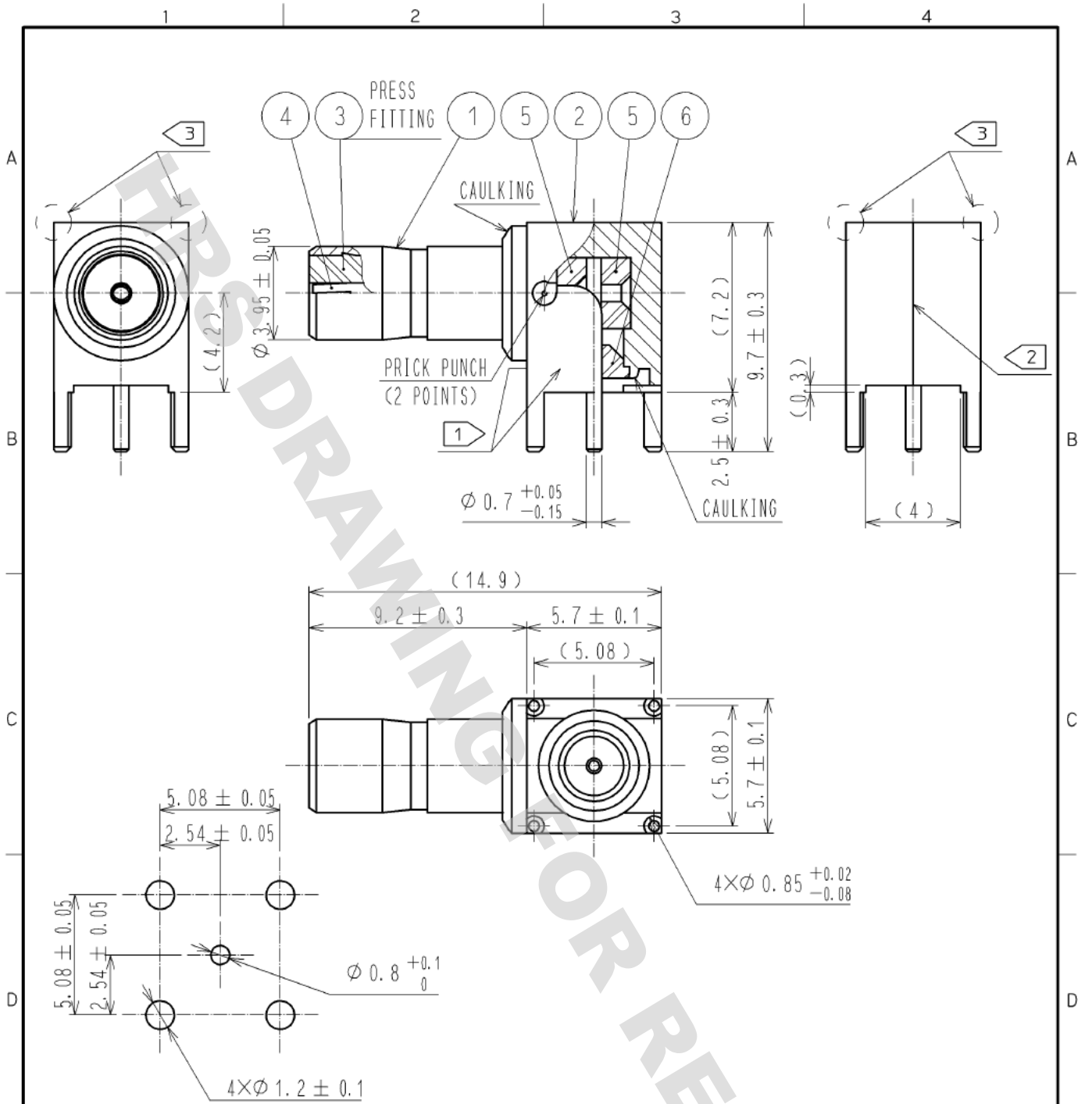


DRAWING FOR REFERENCE: This is subject to change without notice
05/31/2013



- NOTE ① A few scars of injector pins remain on the surface of either side. (Depth: 0.05max. $\phi 3$)
- ② The scars remain because of the installation position of the gate.
- ③ The scars remain because of the installation positions of the overflow. (4positions)

RoHS COMPLIANT

NO.	MATERIAL	FINISH	REMARKS	NO.	MATERIAL	FINISH	REMARKS
3	PTFE			6	PTFE		
2	ZINC ALLOY	NICKEL PLATING		5	PTFE		
1	BRASS	NICKEL PLATING		4	BERYLLIUM COPPER	GOLD PLATING	

UNITS	SCALE	COUNT	DESCRIPTION OF REVISIONS	DESIGNED	CHECKED	DATE
mm	4 : 1	△				

HIROSE ELECTRIC CO., LTD.	APPROVED : MH. YAMANE	12. 07. 13	DRAWING NO.	EDC4-301761-40
	CHECKED : TS. NOBE	12. 07. 13	PART NO.	PL71-LR-PC-A-1V(40)
	DESIGNED : NK. OOSAWA	12. 07. 11	CODE NO.	CL334-0073-6-40
	DRAWN : NK. OOSAWA	12. 07. 11		△ 1/1